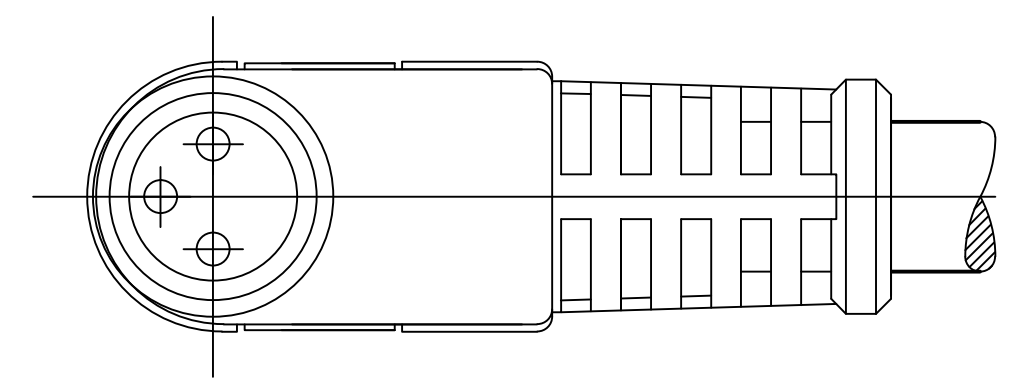
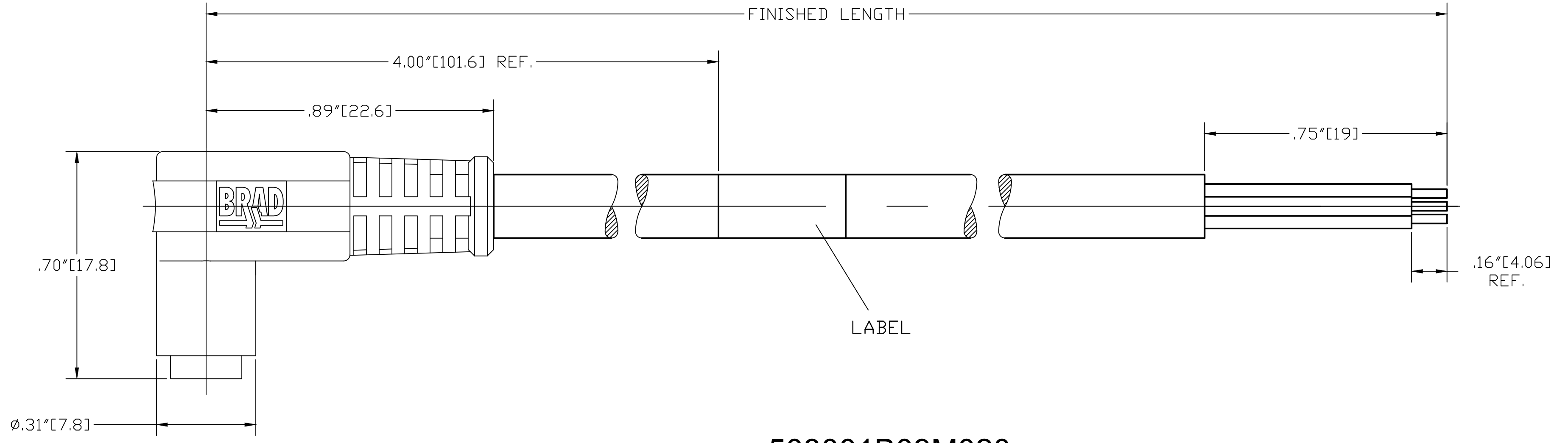


13	12	11	10	9	8	7	6	5	4	3	2	1
<b>MATERIAL NUMBER</b>		<b>OLD PART NUMBER</b>		<b>FINISHED LENGTH</b>								
120088-0040		503001B09M020		6.56' +3.50" -0 [2.0M +88.9mm -0]								



### 503001B09M020

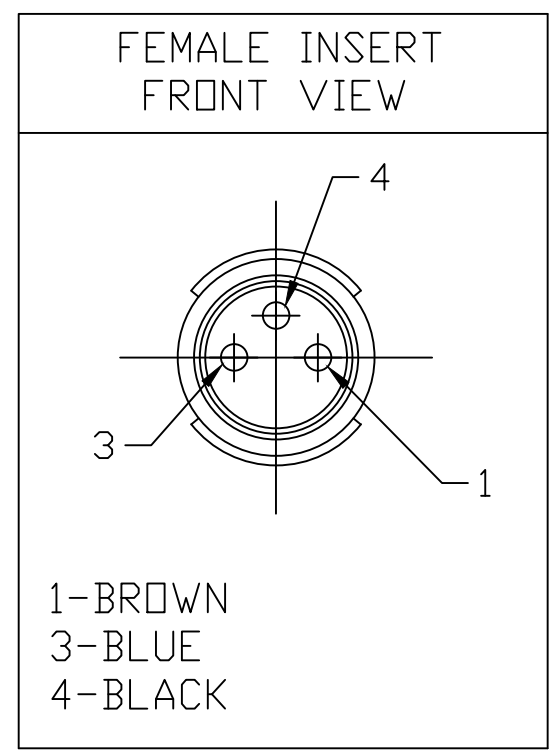
Wire type  
#24/3 AWG  
Yellow PUR

cable length  
M020----2 Meter  
M100----10 Meter

CONTACT:	GOLD/NICKEL OVER COPPER ALLOY
INSERT:	PUR, BLACK
MOLDED BODY:	RITFLEX, YELLOW
VOLTAGE RATING:	60 VAC/75 VDC
AMPERAGE RATING:	4 AMPS
PROTECTION:	IP65
OPERATING TEMPERATURE:	-20°C TO 80°C
UL CERTIFICATIONS:	UL LISTED, FILE NO. E152210
CSA CERTIFICATIONS:	CSA CERTIFIED, FILE NO. LR6837

1	BROWN
3	BLUE
4	BLACK

WIRING DIAGRAM



INITIAL RELEASE EC NO: IPG2013-1910 DRWN: EBRACKEN 2013/06/25 CHKD: RSTONE APPR: BWOODMAN2013/08/14	QUALITY SYMBOL ▽=0 ∇=0	GENERAL TOLERANCES (UNLESS SPECIFIED)		DIMENSION STYLE IN/MM		SCALE ---	DESIGN UNITS INCH	THIRD ANGLE PROJECTION		
			mm	INCH	DRAWN BY EBRACKEN	DATE 2013/06/18	TITLE NANO-CHANGE ASSEMBLY 3 POLE FP 90D SNAP #24-3 YELLOW PUR			
		4 PLACES	±---	±---	CHECKED BY RSTONE	DATE ----	MOLEX INCORPORATED			
		3 PLACES	±---	±.005	APPROVED BY BWOODMAN	DATE 2013/08/14	DOCUMENT NO. SD-120088-016	SHEET NO. 1 OF 1		
		2 PLACES	±0.13	±.010	MATERIAL NO. SEE CHART					
		1 PLACE	±0.25	±.020	SIZE C					
DRAFT WHERE APPLICABLE MUST REMAIN WITHIN DIMENSIONS		THIS DRAWING CONTAINS INFORMATION THAT IS PROPRIETARY TO MOLEX INCORPORATED AND SHOULD NOT BE USED WITHOUT WRITTEN PERMISSION								