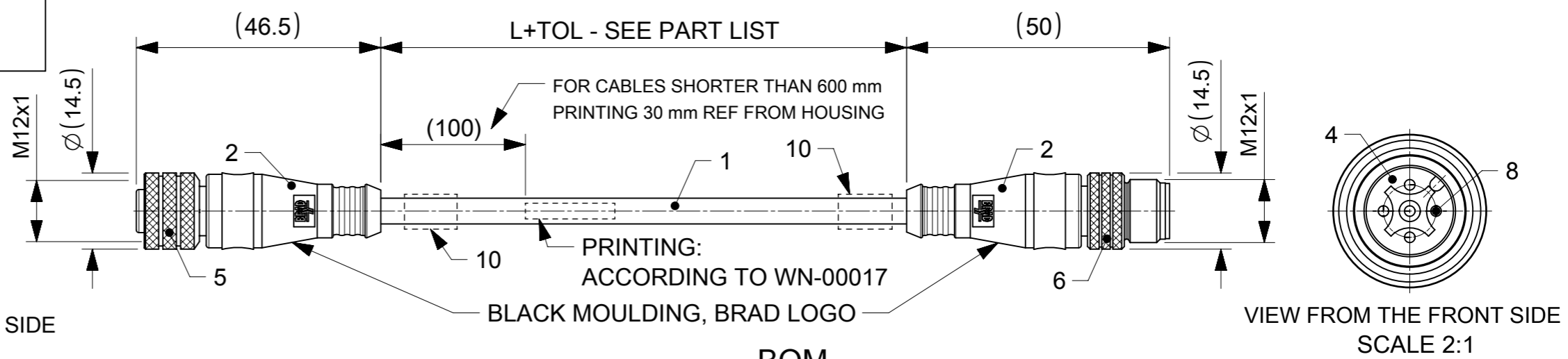


PART NO. MATRIX

0 8 1 2 - 0 X A M F - X X X 0 0

- 0812=Micro-Change M12x1 Double Ended
- NO. OF POLES: 03=3 POLE, 04=4 POLE, 05=5 POLE
- FEMALE / MALE CONNECTOR: A = MALE STRAIGHT-FEMALE STRAIGHT
- LENGTH: 01=1M, 10=10M
- SPECIAL LENGTH: 90=1.5M, 91=0.6M, 92=0.3M, 95=7.5M, 96=12.5M, 97=17.5M
- TYPE OF CABLE MATERIAL: 1 = PVC STANDARD, 2 = PUR STANDARD, C = UL-CABLE PVC, M = PUR 0.25%



NOTES :
 ELECTRICAL DATA :
 VOLTAGE RATING : 3/4P A-Code 250V
 VOLTAGE RATING : 5P A-Code 60V
 AMPERAGE RATING : 4A
 INSULATION RESISTANCE : 10⁹ Ω MIN.
 MATING CYCLES : MAX. 100
 ENVIRONMENTAL :
 PROTECTION : IP67
 OPERATING TEMPERATURE : -25°C TO +85°C
 STATIC BENDING RADIUS : >5xO.D TO >10xO.D.
 DYNAMIC BENDING RADIUS : >8xO.D TO >15xO.D.

CABLE LIST :

(For more information see Cable Data Sheet)

CABLE TYPE	NO. OF WIRES	CROSS SECTION	CABLE JACKET
E03	3	0.34mm ²	PVC BLACK
P03	3	0.34mm ²	PUR BLACK
E02	4	0.25mm ²	PVC BLACK
P02	4	0.25mm ²	PUR BLACK
E03	5	0.34mm ²	PVC BLACK
P03	5	0.34mm ²	PUR BLACK
P02 (M-SEE ENG. NO.)	5	0.25mm ²	PUR BLACK
- (F-SEE ENG. NO.)	5	0.50 mm ²	PUR BLACK
- (E-SEE ENG. NO.)	4	0.50 mm ²	PVC BLACK

BOM

ITEM	QTY.	DESCRIPTION	MATERIAL	FINISH / COLOR
10	2	I/D CARRIER	PVC	TRANSPARENT
9	1	GASKET	FPM	RED
8	3, 4 & 5	CONTACT 10 MA STA AU	COPPER	SELECTIVE GOLD OVER NI-PLATED
7	3, 4 & 5	CONTACT 10 FE STA AU	BRONZE	SELECTIVE GOLD OVER NI-PLATED
6	1	M12 MALE COUPLING NUT	BRASS	Ni-PLATED
5	1	M12 FEMALE COUPLING NUT	BRASS	Ni-PLATED
4	1	INSERT M12 MA AC	PUR	BLACK
3	1	INSERT M12 FE AC	TPU	BLACK
2	-	OVERMOULD	TPU	BLACK
1	SEE PART LIST	CABLE	SEE CABLE LIST	SEE CABLE LIST

THIS DRAWING CONTAINS INFORMATION THAT IS PROPRIETARY TO MOLEX ELECTRONIC TECHNOLOGIES, LLC AND SHOULD NOT BE USED WITHOUT WRITTEN PERMISSION

SYMBOLS: DIMENSION UNITS: mm, SCALE: 1:1

CURRENT REV DESC: EC NO: 625953, DRWN: MDHARMANTI 2019/10/18, CHK'D: RSILLER 2019/10/21, APPR: RSILLER 2019/10/21

INITIAL REVISION: DRWN: MDHARMANTI 2019/09/11, APPR: RSILLER 2019/10/17

molex

CSE M12 XP AC FE STR PUR MA STR XM

PRODUCT CUSTOMER DRAWING

DOCUMENT NUMBER: 1200665076, DOC TYPE: PSD, DOC PART: 000, REVISION: A1

MATERIAL NUMBER: SEE PART LIST, CUSTOMER: GENERAL MARKET, SHEET NUMBER: 1 OF 2

