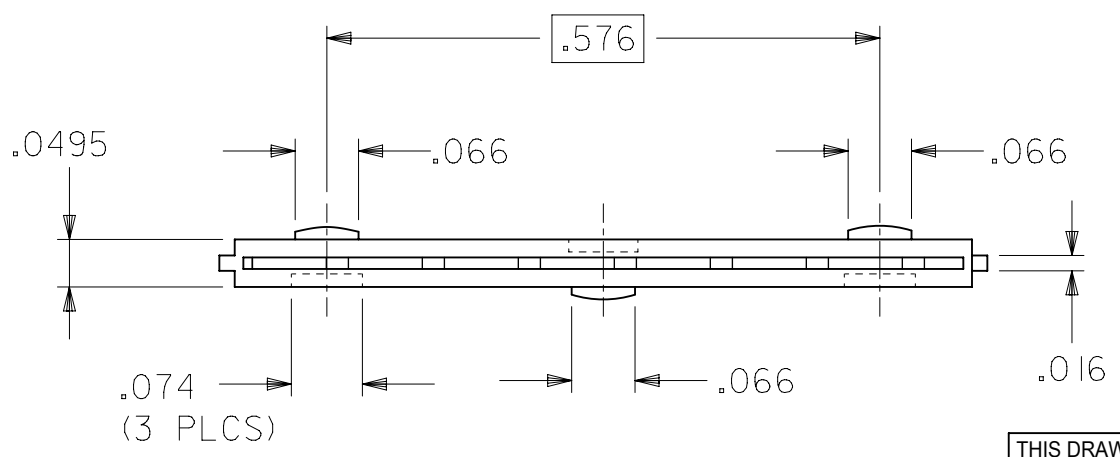
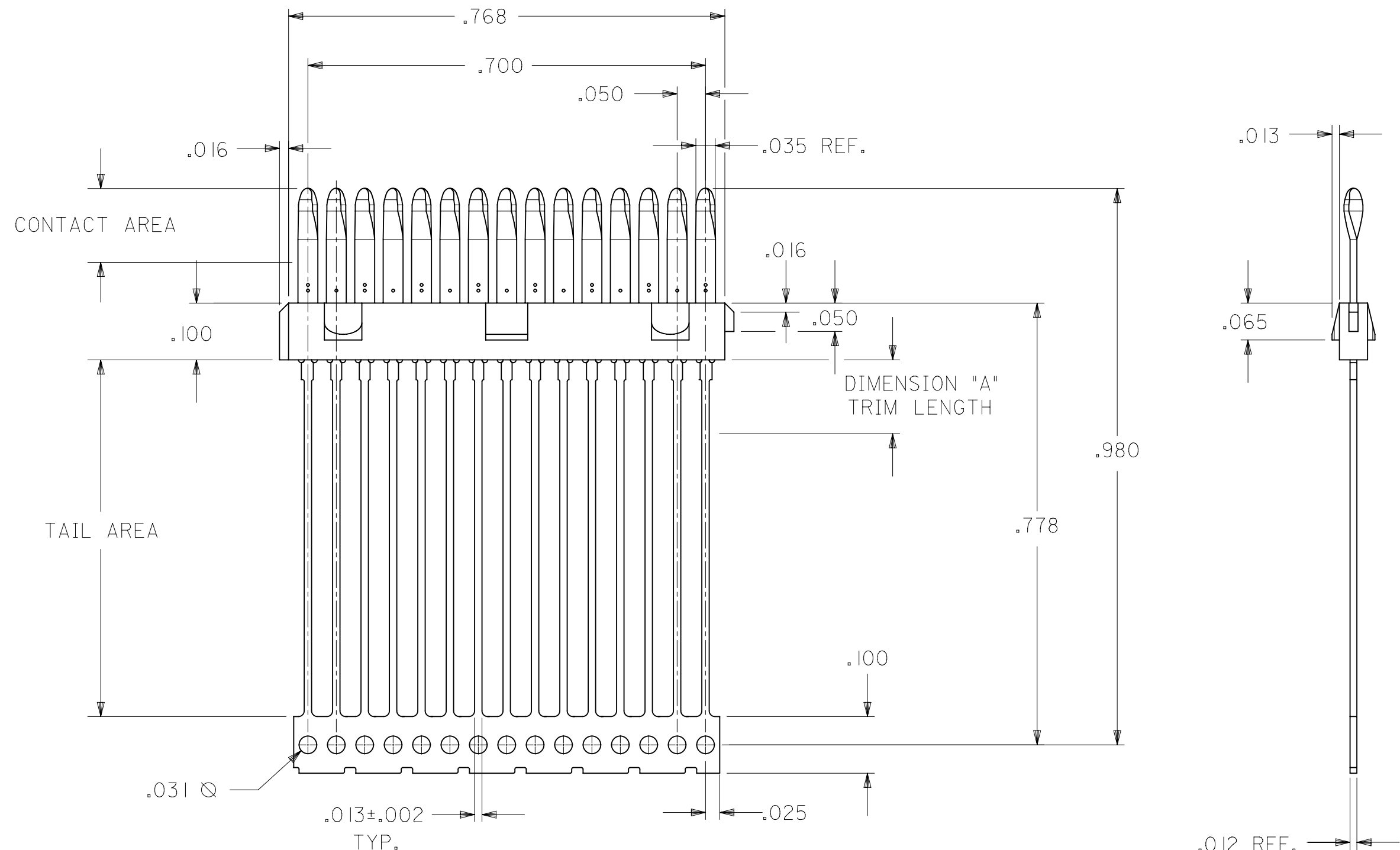
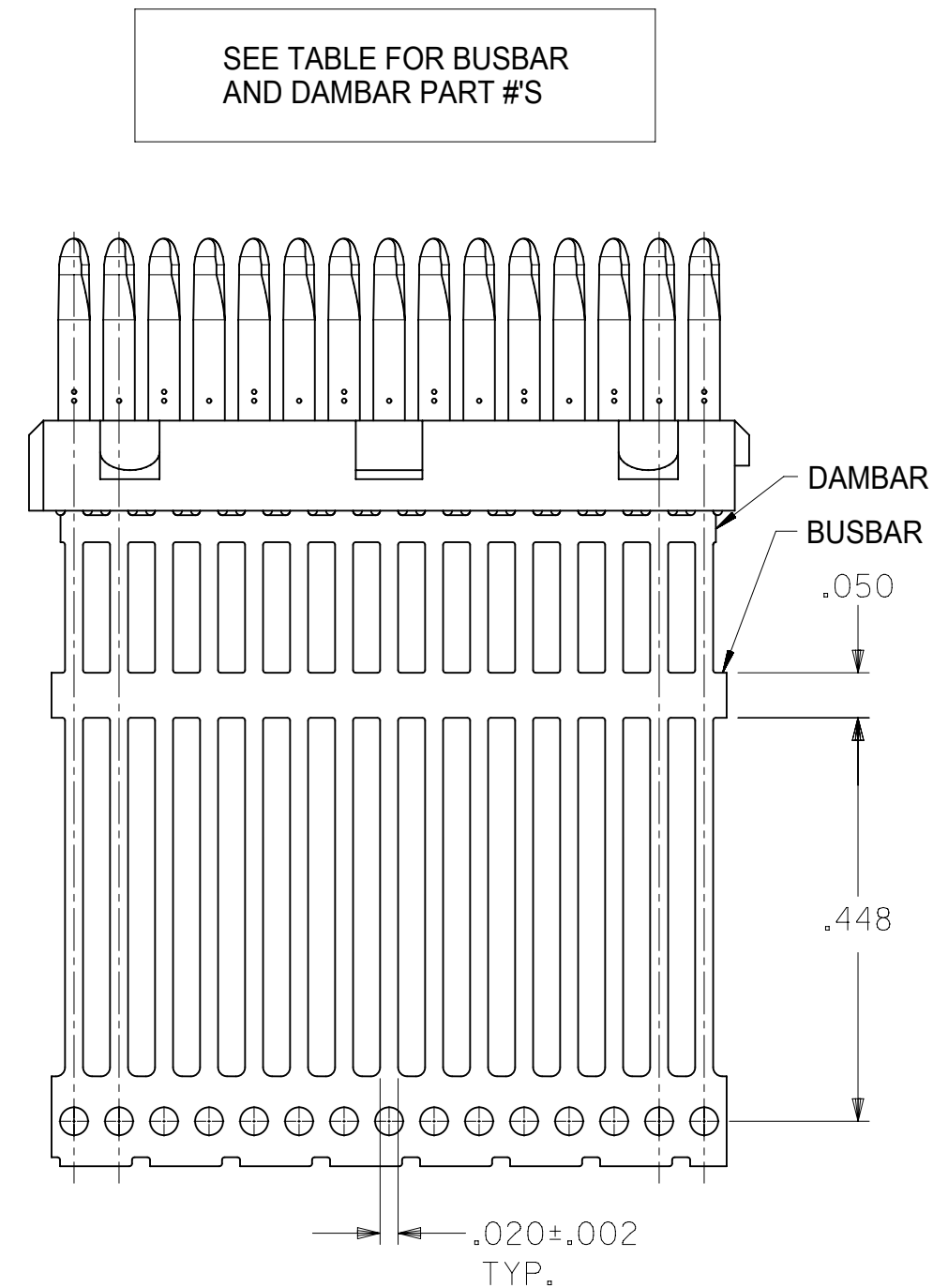


| PART NUMBER | ENGINEERING NUMBER | DIMENSION "A" | BUSBAR OPTION | DAMBAR OPTION | PLATING | |
|-------------------|--------------------|---------------|---------------|---------------|--|--|
| | | | | | CONTACT AREA | TAIL AREA |
| 051-24-2021 | 70984-1001 | N/A | NO | NO | .000030/(0.00076) MINIMUM GOLD OVER A NICKEL UNDERPLATE | .000100/(0.00254) MINIMUM TIN OVER A NICKEL UNDERPLATE |
| 051-24-2022 | 70984-1002 | .130±.010 | NO | NO | .000030/(0.00076) MINIMUM GOLD OVER A NICKEL UNDERPLATE | .000100/(0.00254) MINIMUM TIN OVER A NICKEL UNDERPLATE |
| 70984-1007 | | N/A | YES | NO | .000030/(0.00076) MINIMUM GOLD OVER A NICKEL UNDERPLATE | .000050/(0.00127) MINIMUM NICKEL |
| 70984-1010 | | N/A | YES | NO | .000030/(0.00076) MINIMUM GOLD OVER A NICKEL UNDERPLATE | .000200/(0.00508) MINIMUM TIN OVER A NICKEL UNDERPLATE |
| 70984-1005 | | N/A | YES | YES | .000030/(0.00076) MINIMUM GOLD OVER A NICKEL UNDERPLATE | .000050/(0.00127) MINIMUM NICKEL |
| 70984-1008 | | N/A | YES | YES | .000030/(0.00076) MINIMUM GOLD OVER A NICKEL UNDERPLATE | .000200/(0.00508) MINIMUM TIN OVER A NICKEL UNDERPLATE |
| 70984-1013 | | .130±.010 | YES | NO | .000030/(0.00076) MINIMUM GOLD OVER A NICKEL UNDERPLATE | .000050/(0.00127) MINIMUM NICKEL |



- NOTES:
- 1) MATERIALS: INSULATOR - GLASS FILLED LIQUID CRYSTAL POLYMER (LCP), UL 94V-0, COLOR - BLACK
TERMINAL - PHOSPHOR BRONZE, .012 THICK.
 - 2) FOR PART NUMBERS AND PLATING OPTIONS, SEE CHART.
 - 3) PARTS CONFORM TO PRODUCT SPECIFICATION PS-70928.
 - 4) PACKAGED PER PK-70873-0335, PACKAGE PER PK-70873-0351.
 - 5) PART COMPLIES WITH CLASS C OF COSMETIC SPECIFICATION PS-45499-002.

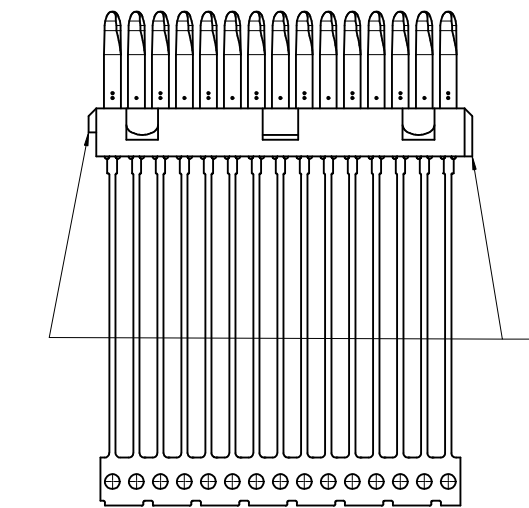
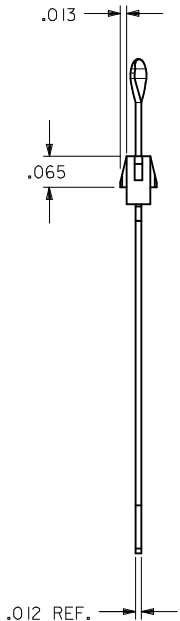
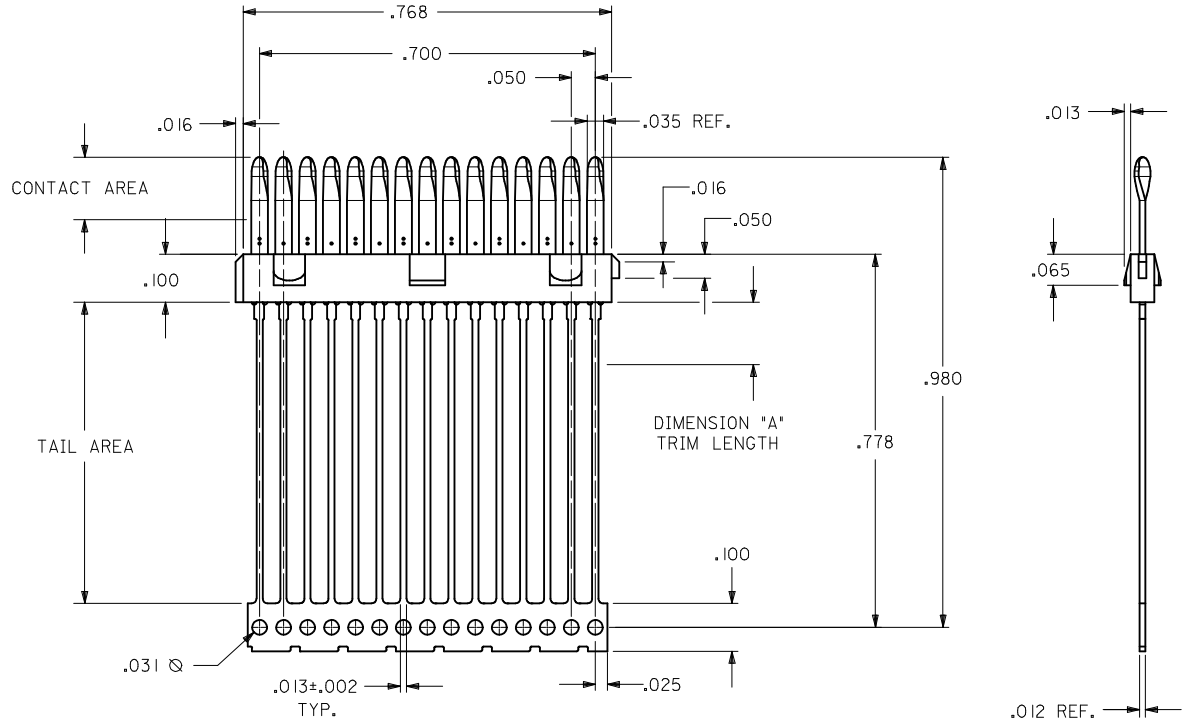
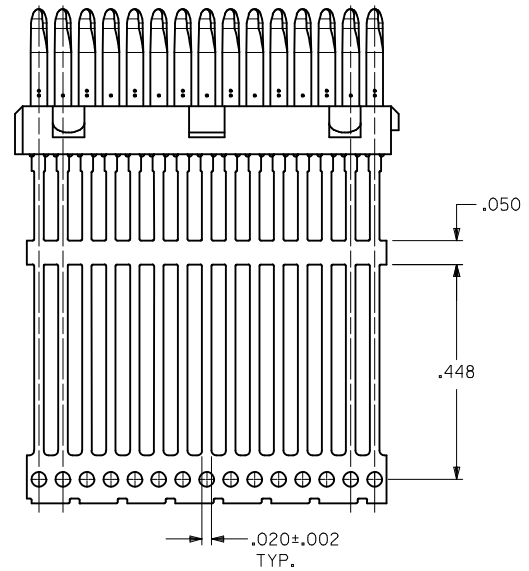
THIS DRAWING CONTAINS INFORMATION THAT IS PROPRIETARY TO MOLEX ELECTRONIC TECHNOLOGIES, LLC AND SHOULD NOT BE USED WITHOUT WRITTEN PERMISSION

| | | | | |
|--|-------|-------------------|-------------------|------------|
| DIMENSION UNITS | SCALE | CURRENT REV DESC: | | |
| INCH | NTS | | | |
| GENERAL TOLERANCES (UNLESS SPECIFIED) | | EC NO: 620216 | | |
| | MM | INCH | 2018/04/27 | |
| 4 PLACES | ± | ± | DRWN: AKUMAR19 | |
| 3 PLACES | ± | 0.01 | ± | 2019/07/09 |
| 2 PLACES | ± | ± | CHK'D: GGA | |
| 1 PLACE | ± | ± | APPR: GGA | 2019/07/09 |
| 0 PLACES | ± | ± | INITIAL REVISION: | |
| ANGULAR TOL ± 0.5° | | DRWN: SCHMIDGALL | 1993/12/07 | |
| DRAFT WHERE APPLICABLE MUST REMAIN WITHIN DIMENSIONS | | APPR: CAB | 1993/12/07 | |
| THIRD ANGLE PROJECTION | | DRAWING | SERIES | |
| SEE TABLE | | C-SIZE | 70984 | |

| | | | |
|--|----------------|--------------|----------|
| molex | | | |
| 15 CKT LFH PLUG INSERT MOLDED CONTACT ASSEMBLY - MANUFACTURING | | | |
| PRODUCT CUSTOMER DRAWING | | | |
| DOCUMENT NUMBER | DOC TYPE | DOC PART | REVISION |
| SDA-70984-100 | PSD | 001 | J |
| MATERIAL NUMBER | CUSTOMER | SHEET NUMBER | |
| SEE TABLE | GENERAL MARKET | 1 OF 1 | |

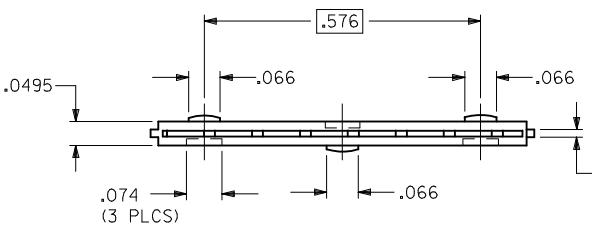
| PART NUMBER | ENGINEERING NUMBER | DIMENSION "A" | BUSBAR OPTION | PLATING | |
|-------------|--------------------|---------------|---------------|---|--|
| | | | | CONTACT AREA | TAIL AREA |
| 051-24-2021 | 70984-1001 | N/A | NO | .000030/(0.00076) MINIMUM GOLD OVER A NICKEL UNDERPLATE | .000100/(0.00254) MINIMUM TIN OVER A NICKEL UNDERPLATE |
| 051-24-2022 | 70984-1002 | .130±.010 | NO | .000030/(0.00076) MINIMUM GOLD OVER A NICKEL UNDERPLATE | .000100/(0.00254) MINIMUM TIN OVER A NICKEL UNDERPLATE |
| 70984-1007 | | N/A | YES | .000030/(0.00076) MINIMUM GOLD OVER A NICKEL UNDERPLATE | .000050/(0.00127) MINIMUM NICKEL |
| 70984-1010 | | N/A | YES | .000030/(0.00076) MINIMUM GOLD OVER A NICKEL UNDERPLATE | .000200/(0.00508) MINIMUM TIN OVER A NICKEL UNDERPLATE |
| 70984-1014 | | .130±.010 | NO | GOLD FLASH OVER A NICKEL UNDERPLATE | |

BUSBAR OPTION
(SEE CHART FOR PART #'S)



FEATURE LOCATIONS

ALTERNATE CONFIGURATION
FOR ALL PART NUMBERS



- NOTES
- MATERIALS:
INSULATOR: GLASS FILLED LIQUID CRYSTAL POLYMER (LCP), UL 94V-0, COLOR: BLACK.
TERMINAL: PHOSPHOR BRONZE, .012 THICK.
PLATING: SEE CHART
 - FOR PART NUMBERS AND PLATING OPTIONS, SEE CHART.
 - PARTS CONFORM TO PRODUCT SPECIFICATION PS-70928.
 - PACKAGED PER SPECIFICATION PK-70873-0335 APPLIES.

| | | | | | | | | | |
|--|---------------------|---|---|-------------------------------------|---------------------|--|----------------------------------|---------------------------------------|----------------------------|
| ADD ALT. CONFIGURATION EC NO: UCP2013-5106 DRWING: DMORGAN 2013/05/24 CHKD: MPOFF 2013/05/24 APPR: SWILLER 2013/06/03 REV: G | QUALITY SYMBOLS | GENERAL TOLERANCES (UNLESS SPECIFIED) | | DIMENSION STYLE INCH ONLY | SCALE 5:1 | DESIGN UNITS INCH | THIRD ANGLE PROJECTION | | |
| | | 4 PLACES ± --- ± --- 3 PLACES ± --- ± .010 2 PLACES ± --- ± --- 1 PLACE ± --- ± --- 0 PLACE ± --- ± --- | mm INCH ± --- ± --- ± .010 ± --- ± --- ± --- ± --- ± --- ± --- ± --- | DRAWN BY DMORGAN | DATE 2013/05/24 | TITLE LFH INSERT MOLDED STICK 15 CIRCUIT MALE (SALES DETAIL) | MATERIAL NO. SEE TABLE | DOCUMENT NO. SDA-70984-100* | SHEET NO. 1 OF 1 |
| | | ANGULAR ±1/2° | | CHECKED BY DSCHMIDGALL | | DATE 1993/08/04 | | molex | |
| | | DRAFT WHERE APPLICABLE MUST REMAIN WITHIN DIMENSIONS | | APPROVED BY DATE | | THIS DRAWING CONTAINS INFORMATION THAT IS PROPRIETARY TO MOLEX INCORPORATED AND SHOULD NOT BE USED WITHOUT WRITTEN PERMISSION | | | |