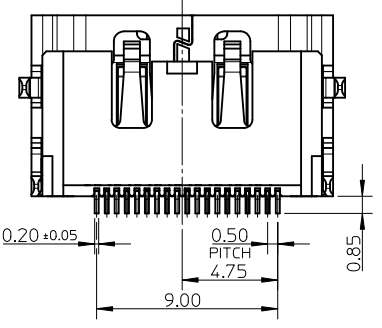
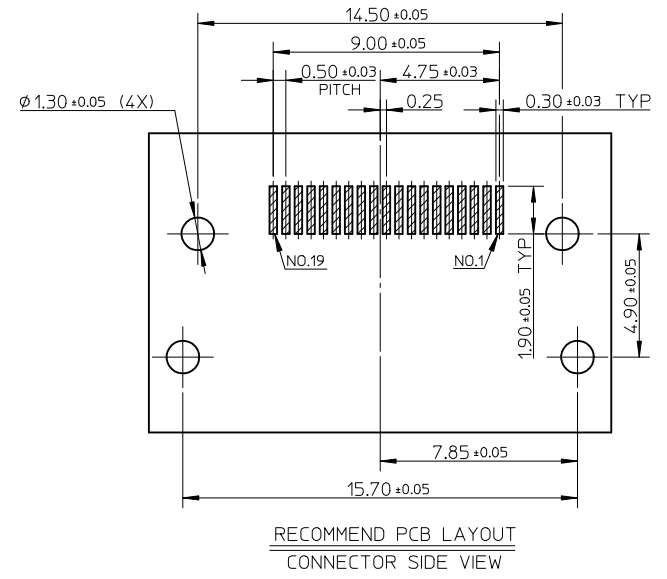


- NOTES:
- MATERIALS:
    - HOUSING: HIGH TEMPERATURE THERMAL PLASTIC. COLOR: SEE TABLE.
    - SHELL: COPPER ALLOY.
    - TERMINAL: COPPER ALLOY.
  - FINISHES:
    - CONTACT AREA: (1) 0.76 MICROMETER MIN. GOLD PLATING.
    - (2) 0.25 MICROMETER MIN. GOLD PLATING.
    - (3) GOLD FLASH.
    - (4) GOLD FLASH OVER PD/NI
    - SOLDER AREA: 1 MICROMETER MIN. TIN-BISMUTH ALLOY PLATING.
    - UNDER PLATE: 1.27 MICROMETER MIN. NICKEL PLATING.
    - SHELL: (1) 1.27 MICROMETER MIN. MATTE TIN PLATING OVERALL.
    - (2) 0.75 MICROMETER MIN. SOLDERABLE NICKEL PLATING OVERALL.
  - PRODUCT SPECIFICATION: PS-47152-001 , TBA FOR PD/NI OPTION
  - PACKAGING SPECIFICATION: SEE TABLE
  - TERMINAL RETENTION FORCE TO BE 0.3kgf Min.
  - COPLANARITY OF ALL TERMINALS IS 0.10mm MAX.
  - PRODUCT COMPLIANT TO RoHS DIRECTIVE 2002/95/EC AND ELV DIRECTIVE 2000/53/EC.

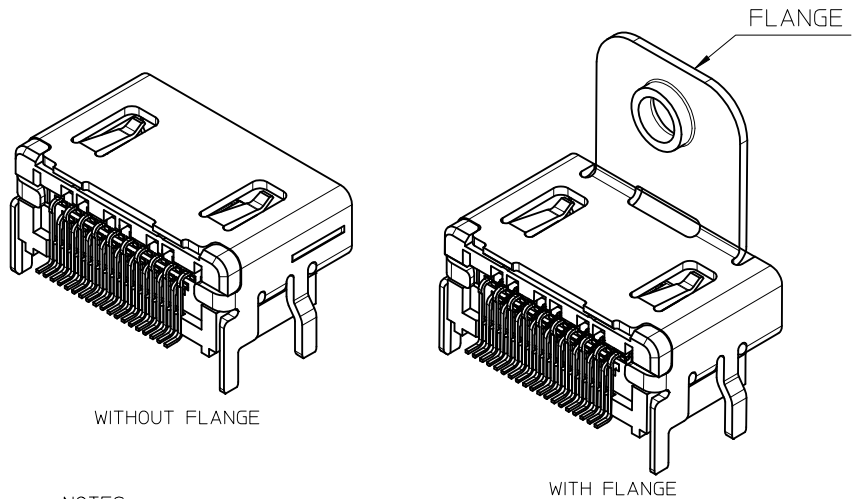
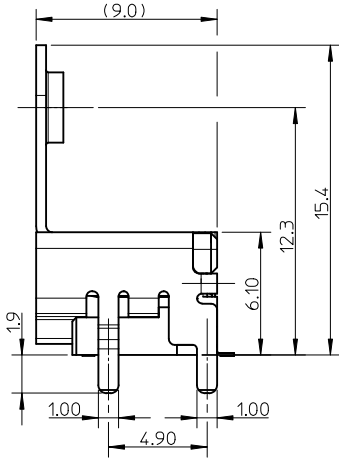
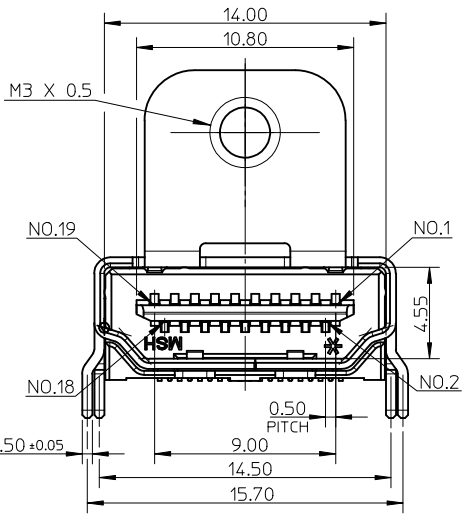
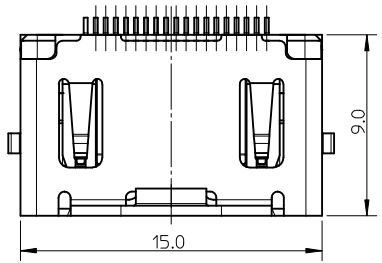


ADD PART NO. EC NO: S2012-0578 DRWN: JZENG 2012/01/18 CH'KD: JESSIE CHUA 2012/03/15 APPR: NAGESHKN 2012/03/19	QUALITY SYMBOLS F=0 F=0 F=0	GENERAL TOLERANCES (UNLESS SPECIFIED)		DIMENSION STYLE MM ONLY		SCALE NTS	DESIGN UNITS METRIC	THIRD ANGLE PROJECTION		
			m.m	INCH	DRAWN BY	DATE	TITLE HDMI RECEPTACLE W/SCREW R/A SMT CUSTOMER DRAWING			
		4 PLACES	± ---	± ---	ROST ZHANG	2005/05/20	MOLEX INCORPORATED			
		3 PLACES	± ---	± ---	CHECKED BY	DATE	DOCUMENT NO. SD-47266-001			
	2 PLACES	± 0.20	± ---	GRATE MA	2005/05/20	SHEET NO. 1 OF 2				
	1 PLACE	± 0.30	± ---	APPROVED BY	DATE	THIS DRAWING CONTAINS INFORMATION THAT IS PROPRIETARY TO MOLEX INCORPORATED AND SHOULD NOT BE USED WITHOUT WRITTEN PERMISSION				
	ANGULAR ± 2 °		MATERIAL NO.		SEE TABLE					
DRAFT WHERE APPLICABLE MUST REMAIN WITHIN DIMENSIONS		SIZE A3								

	10	9	8	7	6	5	4	3	2	1
F	47266-2301	BLACK	SEE NOTE 2(4)	MATTE TIN	WITHOUT FLANGE	TAPE & REEL, PK-47266-001				
	WITH FLANGE				TRAY, PK-47266-002					
F	47266-7211	NATURE	SEE NOTE 2(3)	SOLDERABLE NICKEL	WITHOUT FLANGE	TAPE & REEL, PK-47266-001				
	47266-7111					SEE NOTE 2(2)				
	47266-7011					SEE NOTE 2(1)				
	47266-6301					SEE NOTE 2(4)				
E	47266-6201	BLACK	SEE NOTE 2(3)	SOLDERABLE NICKEL	WITHOUT FLANGE	TAPE & REEL, PK-47266-001				
	47266-6101					SEE NOTE 2(2)				
	47266-6001					SEE NOTE 2(1)				
	47266-5211					SEE NOTE 2(3)				
E	47266-5111	NATURE	SEE NOTE 2(2)	SOLDERABLE NICKEL	WITH FLANGE	TAPE & REEL, PK-47266-003				
	47266-5011					SEE NOTE 2(1)				
	47266-4211					SEE NOTE 2(3)				
	47266-4111					SEE NOTE 2(2)				
D	47266-4011	BLACK	SEE NOTE 2(1)	SOLDERABLE NICKEL	WITH FLANGE	TAPE & REEL, PK-47266-003				
	47266-5201					SEE NOTE 2(3)				
	47266-5101					SEE NOTE 2(2)				
	47266-5001					SEE NOTE 2(1)				
D	47266-4201	BLACK	SEE NOTE 2(3)	SOLDERABLE NICKEL	WITH FLANGE	TRAY, PK-47266-002				
	47266-4101					SEE NOTE 2(2)				
	47266-4001					SEE NOTE 2(1)				
	47266-3201					SEE NOTE 2(3)				
C	47266-3101	NATURE	SEE NOTE 2(2)	MATTE TIN	WITHOUT FLANGE	TAPE & REEL, PK-47266-001				
	47266-3001					SEE NOTE 2(1)				
	47266-2201					SEE NOTE 2(3)				
	47266-2101					SEE NOTE 2(2)				
C	47266-2001	BLACK	SEE NOTE 2(1)	MATTE TIN	WITHOUT FLANGE	TAPE & REEL, PK-47266-001				
	47266-1211					SEE NOTE 2(3)				
	47266-1111					SEE NOTE 2(2)				
	47266-1011					SEE NOTE 2(1)				
B	47266-0211	BLACK	SEE NOTE 2(3)	MATTE TIN	WITH FLANGE	TAPE & REEL, PK-47266-003				
	47266-0111					SEE NOTE 2(2)				
	47266-0011					SEE NOTE 2(1)				
	47266-1201					SEE NOTE 2(3)				
B	47266-1101	NATURE	SEE NOTE 2(2)	MATTE TIN	WITH FLANGE	TRAY, PK-47266-005				
	47266-1001					SEE NOTE 2(1)				
	47266-0201					SEE NOTE 2(3)				
	47266-0102					SEE NOTE 2(2)				
	47266-0001	BLACK	SEE NOTE 2(1)	MATTE TIN	WITH FLANGE	TRAY, PK-47266-002				
P/N	HOUSING COLOR					CONTACT AREA PLATING	SHELL PLATING	REMARK	PACKAGING SPECIFICATION	

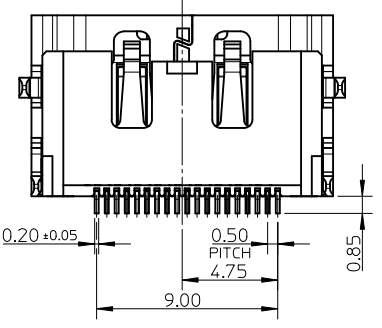


<b>ADD PART NO.</b> EC NO: S2012-0578 DRWN: JZENG 2012/01/18 CHKD: JESSIECHUA 2012/03/15 APPR: NAGESHKN 2012/03/19 H2	<b>DESCRIPTION</b> QUALITY SYMBOLS $\nabla_A = 0$ $\nabla_C = 0$ $\nabla_P = 0$	<b>GENERAL TOLERANCES (UNLESS SPECIFIED)</b>		<b>DIMENSION STYLE</b> MM ONLY		<b>SCALE</b> NTS	<b>DESIGN UNITS</b> METRIC	<b>THIRD ANGLE PROJECTION</b>		
		4 PLACES ± --- ± --- 3 PLACES ± --- ± --- 2 PLACES ± 0.20 ± --- 1 PLACE ± 0.30 ± ---	mm INCH ± --- ± --- ± 0.20 ± --- ± 0.30 ± ---	DRAWN BY ROST ZHANG	DATE 2005/05/20	<b>TITLE</b> HDMI RECEPTACLE W/SCREW R/A SMT CUSTOMER DRAWING				
		ANGULAR ± 2 °		CHECKED BY GRATE MA	DATE 2005/05/20	<b>MOLEX INCORPORATED</b>				
		DRAFT WHERE APPLICABLE MUST REMAIN WITHIN DIMENSIONS		APPROVED BY XJSONG	DATE 2010/01/26	MATERIAL NO. SEE TABLE	DOCUMENT NO. SD-47266-001	SHEET NO. 2 OF 2		



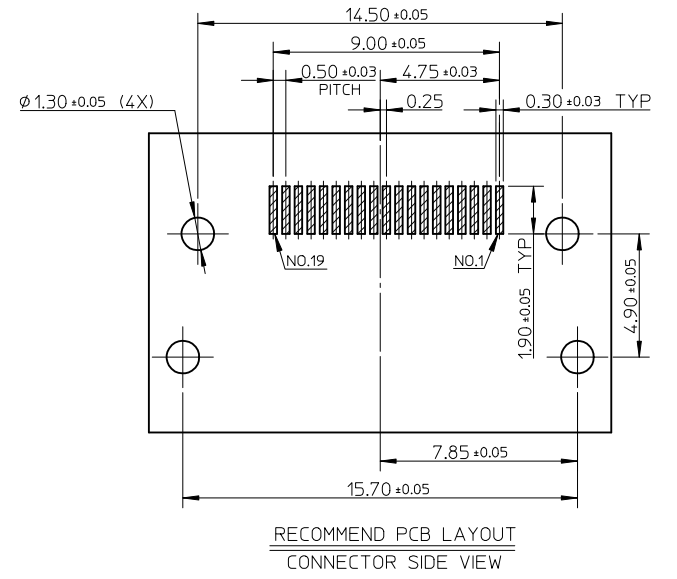
NOTES:

- MATERIALS:
  - HOUSING: HIGH TEMPERATURE THERMAL PLASTIC. COLOR: SEE TABLE.
  - SHELL: COPPER ALLOY.
  - TERMINAL: COPPER ALLOY.
- FINISHES:
  - CONTACT AREA: (1) 0.76 MICROMETER MIN. GOLD PLATING. (2) 0.25 MICROMETER MIN. GOLD PLATING. (3) GOLD FLASH. (4) GOLD FLASH OVER PD/NI
  - SOLDER AREA: 1 MICROMETER MIN. TIN-BISMUTH ALLOY PLATING.
  - UNDER PLATE: 1.27 MICROMETER MIN. NICKEL PLATING.
  - SHELL: (1) 1.27 MICROMETER MIN. MATTE TIN PLATING OVERALL. (2) 0.75 MICROMETER MIN. SOLDERABLE NICKEL PLATING OVERALL.
- PRODUCT SPECIFICATION: PS-47152-001 , TBA FOR PD/NI OPTION
- PACKAGING SPECIFICATION: SEE TABLE
- TERMINAL RETENTION FORCE TO BE 0.3kgf Min.
- COPLANARITY OF ALL TERMINALS IS 0.10mm MAX.
- PRODUCT COMPLIANT TO RoHS DIRECTIVE 2002/95/EC AND ELV DIRECTIVE 2000/53/EC.



ADD PART NO. EC NO: S2012-0578 DRWN: JZENG 2012/01/18 CH'KD: JESSIE CHUA 2012/03/15 APPR: NAGESHKN 2012/03/19	QUALITY SYMBOLS F=0 F=0 F=0	GENERAL TOLERANCES (UNLESS SPECIFIED)		DIMENSION STYLE MM ONLY		SCALE NTS	DESIGN UNITS METRIC	THIRD ANGLE PROJECTION		
			m.m	INCH	DRAWN BY	DATE	TITLE HDMI RECEPTACLE W/SCREW R/A SMT CUSTOMER DRAWING			
		4 PLACES	± ---	± ---	ROST ZHANG	2005/05/20	MOLEX INCORPORATED			
		3 PLACES	± ---	± ---	CHECKED BY	DATE	DOCUMENT NO. SD-47266-001			
	± 0.20	± ---	GRATE MA	2005/05/20	SHEET NO. 1 OF 2					
	± 0.30	± ---	APPROVED BY	DATE	THIS DRAWING CONTAINS INFORMATION THAT IS PROPRIETARY TO MOLEX INCORPORATED AND SHOULD NOT BE USED WITHOUT WRITTEN PERMISSION					
	ANGULAR ± 2 °		XJSONG	2010/01/26						
	DRAFT WHERE APPLICABLE MUST REMAIN WITHIN DIMENSIONS		SEE TABLE							
SIZE	A3									

	10	9	8	7	6	5	4	3	2	1
F	47266-2301	BLACK	SEE NOTE 2(4)	MATTE TIN	WITHOUT FLANGE	TAPE & REEL, PK-47266-001				
	WITH FLANGE				TRAY, PK-47266-002					
F	47266-7211	NATURE	SEE NOTE 2(3)	SOLDERABLE NICKEL	WITHOUT FLANGE	TAPE & REEL, PK-47266-001				
	47266-7111					SEE NOTE 2(2)				
	47266-7011					SEE NOTE 2(1)				
	47266-6301					SEE NOTE 2(4)				
E	47266-6201	BLACK	SEE NOTE 2(3)	SOLDERABLE NICKEL	WITHOUT FLANGE	TAPE & REEL, PK-47266-001				
	47266-6101					SEE NOTE 2(2)				
	47266-6001					SEE NOTE 2(1)				
	47266-5211					SEE NOTE 2(3)				
E	47266-5111	NATURE	SEE NOTE 2(2)	SOLDERABLE NICKEL	WITH FLANGE	TAPE & REEL, PK-47266-003				
	47266-5011					SEE NOTE 2(1)				
	47266-4211					SEE NOTE 2(3)				
	47266-4111					SEE NOTE 2(2)				
D	47266-4011	BLACK	SEE NOTE 2(1)	SOLDERABLE NICKEL	WITH FLANGE	TAPE & REEL, PK-47266-003				
	47266-5201					SEE NOTE 2(3)				
	47266-5101					SEE NOTE 2(2)				
	47266-5001					SEE NOTE 2(1)				
D	47266-4201	BLACK	SEE NOTE 2(3)	SOLDERABLE NICKEL	WITH FLANGE	TRAY, PK-47266-002				
	47266-4101					SEE NOTE 2(2)				
	47266-4001					SEE NOTE 2(1)				
	47266-3201					SEE NOTE 2(3)				
C	47266-3101	NATURE	SEE NOTE 2(2)	MATTE TIN	WITHOUT FLANGE	TAPE & REEL, PK-47266-001				
	47266-3001					SEE NOTE 2(1)				
	47266-2201					SEE NOTE 2(3)				
	47266-2101					SEE NOTE 2(2)				
C	47266-2001	BLACK	SEE NOTE 2(1)	MATTE TIN	WITHOUT FLANGE	TAPE & REEL, PK-47266-001				
	47266-1211					SEE NOTE 2(3)				
	47266-1111					SEE NOTE 2(2)				
	47266-1011					SEE NOTE 2(1)				
B	47266-0211	BLACK	SEE NOTE 2(3)	MATTE TIN	WITH FLANGE	TAPE & REEL, PK-47266-003				
	47266-0111					SEE NOTE 2(2)				
	47266-0011					SEE NOTE 2(1)				
	47266-1201					SEE NOTE 2(3)				
B	47266-1101	NATURE	SEE NOTE 2(2)	MATTE TIN	WITH FLANGE	TRAY, PK-47266-005				
	47266-1001					SEE NOTE 2(1)				
	47266-0201					SEE NOTE 2(3)				
	47266-0102					SEE NOTE 2(2)				
	47266-0001	BLACK	SEE NOTE 2(1)	MATTE TIN	WITH FLANGE	TRAY, PK-47266-002				
P/N	HOUSING COLOR					CONTACT AREA PLATING	SHELL PLATING	REMARK	PACKAGING SPECIFICATION	



ADD PART NO. EC NO: S2012-0578 DRWN: JZENG 2012/01/18 CHKD: JESSIECHUA 2012/03/15 APPR: NAGESHKIN 2012/03/19	DESCRIPTION	QUALITY SYMBOLS ▽ <sub>A</sub> =0 ▽ <sub>C</sub> =0 ▽ <sub>P</sub> =0	GENERAL TOLERANCES (UNLESS SPECIFIED)		DIMENSION STYLE MM ONLY		SCALE NTS	DESIGN UNITS METRIC	THIRD ANGLE PROJECTION	
			mm	INCH	DRAWN BY ROST ZHANG	DATE 2005/05/20	TITLE HDMI RECEPTACLE W/SCREW R/A SMT CUSTOMER DRAWING			
			4 PLACES ± ---	± ---	CHECKED BY GRATE MA	DATE 2005/05/20	MOLEX INCORPORATED			
			3 PLACES ± ---	± ---	APPROVED BY XJSONG	DATE 2010/01/26	DOCUMENT NO. SD-47266-001			
2 PLACES ± 0.20	± ---	ANGULAR ± 2 °		MATERIAL NO. SEE TABLE		SHEET NO. 2 OF 2				
1 PLACE ± 0.30	± ---	DRAFT WHERE APPLICABLE MUST REMAIN WITHIN DIMENSIONS		THIS DRAWING CONTAINS INFORMATION THAT IS PROPRIETARY TO MOLEX INCORPORATED AND SHOULD NOT BE USED WITHOUT WRITTEN PERMISSION						