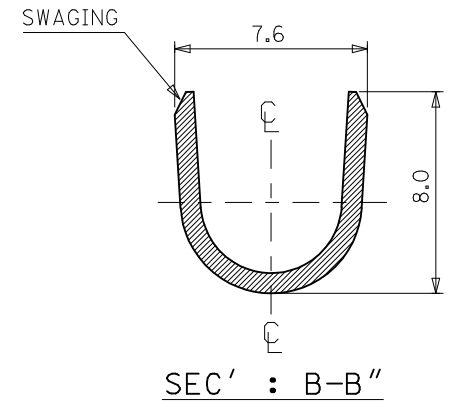
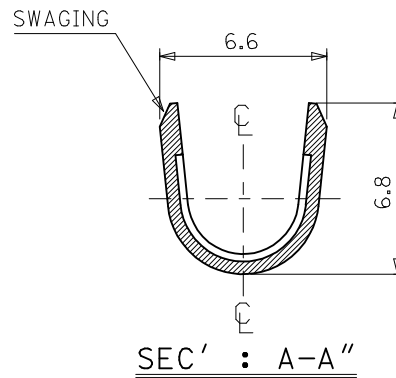
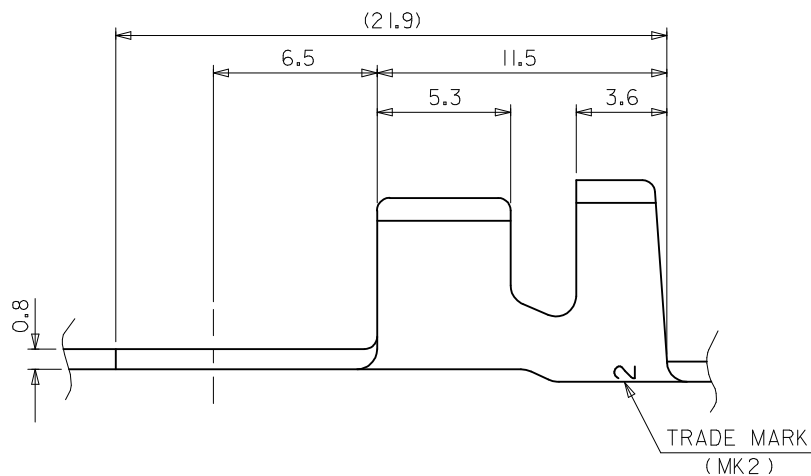


NOTES.

1. MATERIAL : BRASS 0.8 THICKNESS
2. FINISH : 35750-1700 : UNPLATED  
35750-1710 : POST PLATED TIN
3. APPLICABLE WIRE : AWG#8~AWG#14<sup>®</sup>  
INSULATION RANGE  $\phi 5.4$  MAX<sup>®</sup>
4. RECOMMENDED LENGTH OF WIRE STRIP IS 7.0~7.8mm<sup>®</sup>



REVISED EC NO: KOR2012-0111 DRWN:HYOU CHKD:SH.CHU APPR:YSK1M02	DESCRIPTION 2012/04/21 2012/04/25	QUALITY SYMBOLS	GENERAL TOLERANCES (UNLESS SPECIFIED)	DIMENSION STYLE	SCALE	DESIGN UNITS	THIRD ANGLE PROJECTION
		$\nabla=0$ $\text{C}=0$	mm    INCH 4 PLACES ± --- ± --- 3 PLACES ± --- ± --- 2 PLACES ± --- ± --- 1 PLACE ± 0.3 ± --- 0 PLACE ± --- ± ---	MM ONLY	1:1	METRIC	4.5 RING TM(LA204)
		ANGULAR ± 1 ° DRAFT WHERE APPLICABLE MUST REMAIN WITHIN DIMENSIONS	DRAWN BY JS.KANG CHECKED BY BK.CHOI APPROVED BY YSK1M02 DATE 1993/07/08 DATE 1993/07/08 DATE 2012/04/25	TITLE			
		D1	SEE NOTES	MATERIAL NO. DOCUMENT NO. SD-35750-17*0		SHEET NO. 1 OF 1	