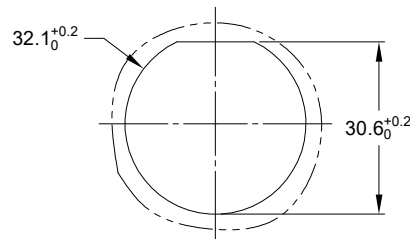
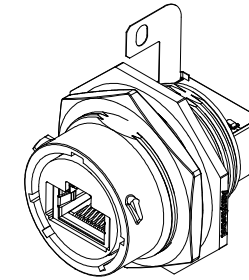
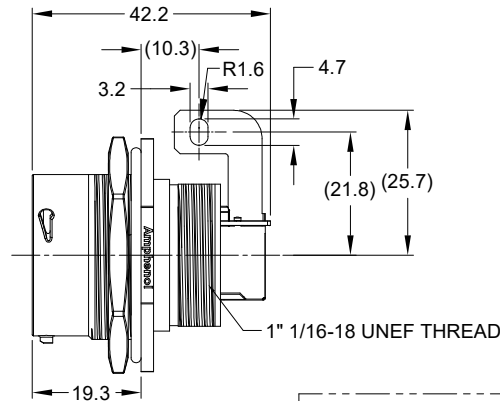
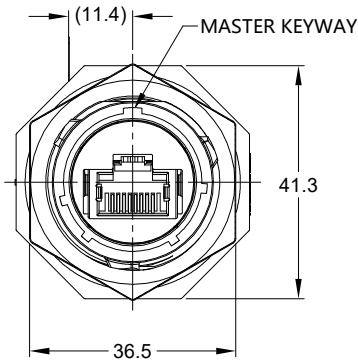
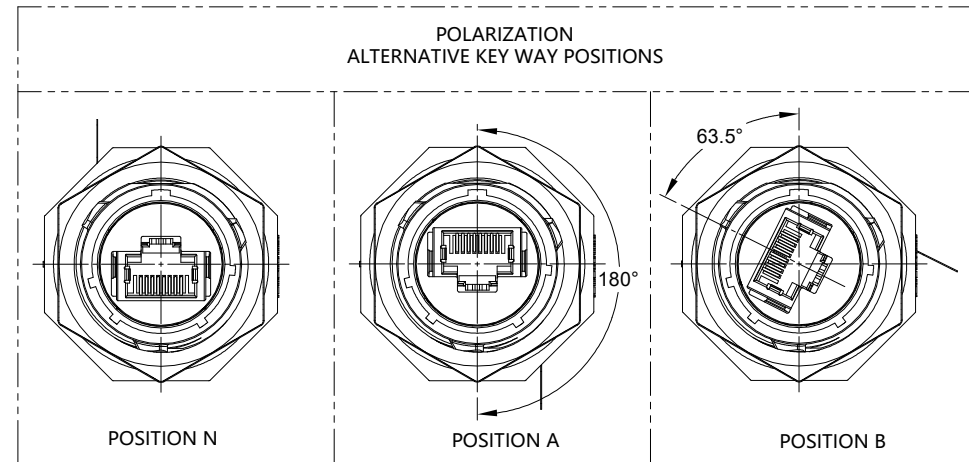


REVISIONS					
REV	ECO	DESCRIPTION	DATE	BY	APPR
A1	-	RELEASE DRAWING	FEB-04-2021	KEVIN	TOMMY
A2	-	UPDATED OPERATING TEMPERATURE	APR-28-2021	RONALD	TOMMY
A3	-	UPDATE THE DESCRIPTION	MAR-23-2022	JUN	TOMMY
A4	-	ADD NOTES 2.6	DEC-1-2022	JUN	TOMMY



PANEL CUT OUT REFERENCE



NOTES: (UNLESS OTHERWISE SPECIFIED)

- MATERIAL:
  - SHELL: THERMOPLASTIC, UL94 V-0.
  - INSERT: THERMOPLASTIC, UL94 V-0.
  - O-RING: NBR/SILICONE RUBBER.
  - SEAL GASKET: NBR/SILICONE RUBBER.
  - JAM NUT: ALUMINIUM ALLOY, BLACK ANODIZING.
- SPECIFICATIONS:
  - 2.1 RATED CURRENT: 1.5A (MAX).
  - 2.2 RATED VOLTAGE: 125V(AC/DC).
  - 2.3 OPERATING TEMPERATURE: -40°C ~ +105°C.
  - 2.4 INSULATION RESISTANCE: 1000 MEGOHMS MIN.
  - 2.5 IP--CLASS: IP67 AND IP69K IN THE MATED CONDITION.
  - (A4) 2.6 RJ45 COMPONENT: CAT5E.
  - 2.7 MATING CYCLES DURABILITY: 250 CYCLES MIN.
  - 2.8 RoHS COMPLIANT.
- MATING PART: RTS6BS18\*RJ03-S3 PLUGS  
RTS6BS18\*RJ03-S3-TW PLUGS  
( " \* " = N,A,B KEYS; )
- ALL DIMENSIONS ARE FOR REFERENCE USE ONLY.

KEY	PART NUMBER
N	RTS718NRJ03-U1
A	RTS718ARJ03-U1
B	RTS718BRJ03-U1

SEE CHART		REF UTS718RJFN UTS718RJFA UTS718RJFB	
QUANTITY	PART NUMBER	DESCRIPTION	ITEM
<b>MATERIALS LIST</b>			
<b>UNLESS OTHERWISE SPECIFIED</b> 1) All dimensions are in metric(mm). 2) Tolerances are as follows: 1 PL DEC ±0.30 Fractions ±1/64 2 PL DEC ±0.15 Angles ±1° 3 PL DEC ±0.08 3) Note reference =		<b>SIGNATURES</b> <b>DATE</b> DRAWN: JUN DEC-1-2022 CHECKED: ENGINEER: APPROVAL: CUSTOMER:	
MATERIAL SPECIFICATIONS:		<b>Amphenol</b> Sine Systems - www.amphenol-sine.com 44724 Morley Drive Clinton Township, MI 48036	
PROCESS SPECIFICATIONS:			
NEXT ASSY:		EcoMate Aquarius, RECEPTACLE, JAM NUT SIZE 18 ,8POS,RJ45 <b>SIZE</b> TYPE DWG NO: <b>REVISION</b> <b>B C-</b> <b>RTS718*RJ03-U1</b> <b>A4</b> SCALE NONE    SHEET 1 OF 1	

TITLE: EcoMate Aquarius, RECEPTACLE, JAM NUT, SIZE 18 ,8POS,RJ45  
 DWG NO.: RTS718R-J03-U1  
 REV: A4  
 SH: 1  
 OF: 1