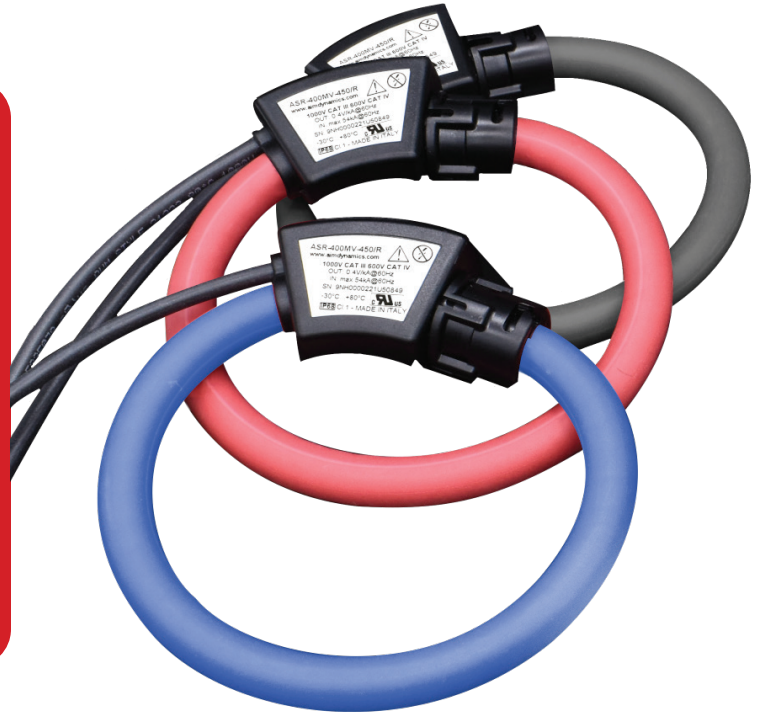


ASR-400MV Series

# ASR-400MV

The ASR-400MV is Aim Dynamics' Super Rogowski coil series. Why super? The ASR-400MV is lightweight, has among the widest measurement ranges of any sensor, allowing low current measurement and very high current measurement. It has a high output; it's highly linear; has a wide dynamic range; it cannot be damaged by large overloads; it is completely shielded.

The units are calibrated prior to delivery, and measurement uniformity is excellent at any position inside the coil. It can be used underground or in other wet environments, and it has a superior degree of rejection to external magnetic influences.



### ▲ SPECIFICATIONS

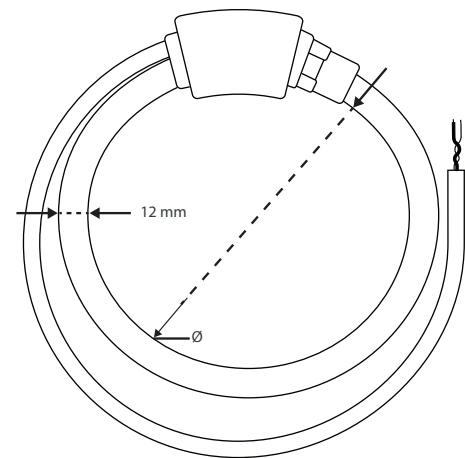
Primary Input Range	500 mA – 50 kA
Input Type	AC
Output @ 60 Hz	400 mV per kA
Output @ 50 Hz	333 mV per kA
Accuracy	0.5 Class per IEC 61869-2
Linearity	0.2%
Positioning Error	Better than 1% of reading
Coil Resistance	Between 300 and 2000 Ω
Protection Degree	IP68
Working Voltage	1000 V CAT III 600V CAT IV Pollution Degree 2
Withstand Voltage	7400 Vrms / 1 min
Operating Temperature	-30 °C to 80 °C
Safety	UL 61010-1, UL 61010-031, UL 61010-2-031, UL 61010-032
Material	Thermoplastic UL94-V0
Coil Thickness	12 mm
Lead Type	3 meters of shielded 5 mm cable
Operating Frequency	40 to 14 kHz (3dB)
Mechanical Clasp Strength	77 N
Origin	Made in Italy

### ▲ APPLICATIONS

- Power monitoring & control systems
- DC ripple measurement
- Harmonics and transients monitoring
- Wide range current monitoring
- Measuring devices, lab instrumentation
- Underground/wet applications



### ▲ PRODUCT DIMENSIONS



### ▲ MODEL BUILDER (COIL ONLY)

ASR-400MV – XX / Y

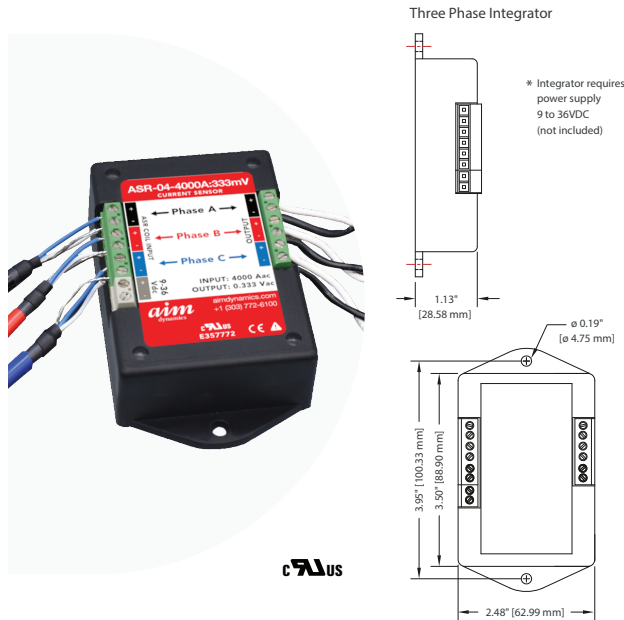
**Diameter**

**XX:** 04 = 4"  
07 = 7"  
11 = 11"

**Color**

**Y:** B = Blue  
R = Red  
G = Gray

ASR-400MV Series — Integrator Options  
**Low Voltage Output**



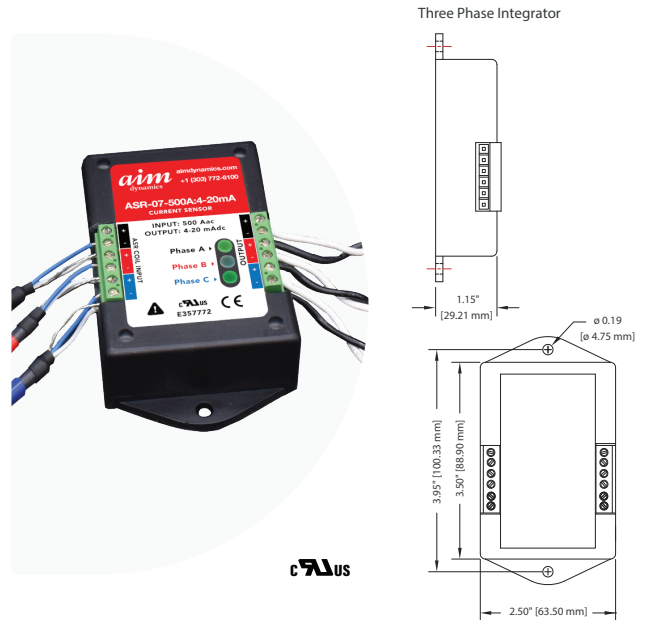
**▲ SPECIFICATIONS**

- Input: 50 - 4000 Aac
- Output: 0 to 222 mV, 333 mV, 1V, 2V or 5V (AC)
- Frequency: 25 - 100 kHz (-3 db)
- Accuracy: 1.0 Class per IEC 61869-2
- Phase Displacement < 0.5°
- Operating Temperature: -20 to 105 °C
- Storage Temperature: -40 to 110 °C
- Relative Humidity Rating (UL): 85%
- Standard Leads: 8 ft (2.4m) 22 AWG twisted pair
- UL Max Voltage: 600 V on primary conductor
- Power Supply: 9-36 Vdc; sold separately
- Origin: Made in USA

**▲ MODEL BUILDER LOW VOLTAGE OUTPUT**

<b>ASR</b>	-	<b>SIZE</b>	-	<b>CURRENT</b>	:	<b>OUTPUT</b>
		<b>Size ø in Inches (Inner)</b>		<b>Current</b>		<b>Output</b>
		04 07 11		50A,100A, 200A, 500A, 800A, 1200A, 2000A, 3000A, 4000A		225mV, 333mV, 1V, 2V, 5V

ASR-400MV Series — Integrator Options  
**4-20 mA Output**



**▲ SPECIFICATIONS**

- Input: 50 - 4000 Aac
- Output: 4-20 mA Loop (Sinking), maximum impedance: 750 Ω @ 24Vdc (each phase)
- Frequency: 40 - 3 kHz
- Power Supply: powered from the loop, 8-35 Vdc
- Accuracy: 1.0 Class per IEC 61869-2, up to crest factor 4
- Operating Temperature: -20 to 105 °C
- Storage Temperature: -40 to 110 °C
- Relative Humidity Rating (UL): 85%
- Standard Leads: 8 ft (2.4m) 22 AWG twisted pair
- UL Max Voltage: 600 V on primary conductor
- Indicator: Green LEDs light when appropriate voltage exists on the 4-20 mA current loop
- Origin: Made in USA

**▲ MODEL BUILDER 4-20MA OUTPUT**

<b>ASR</b>	-	<b>SIZE</b>	-	<b>CURRENT</b>	:	<b>4-20mA</b>
		<b>Size ø in Inches (Inner)</b>		<b>Current</b>		
		04 07 11		50A,100A, 200A, 500A, 800A, 1200A, 2000A, 3000A, 4000A		