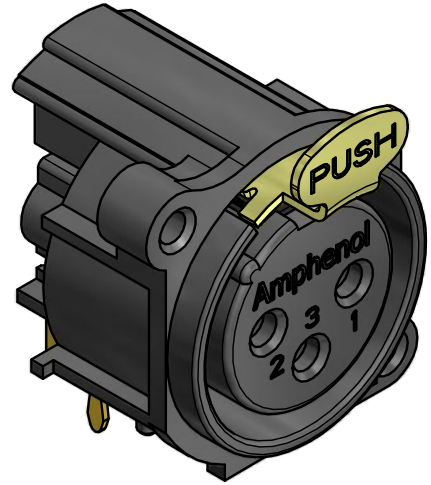
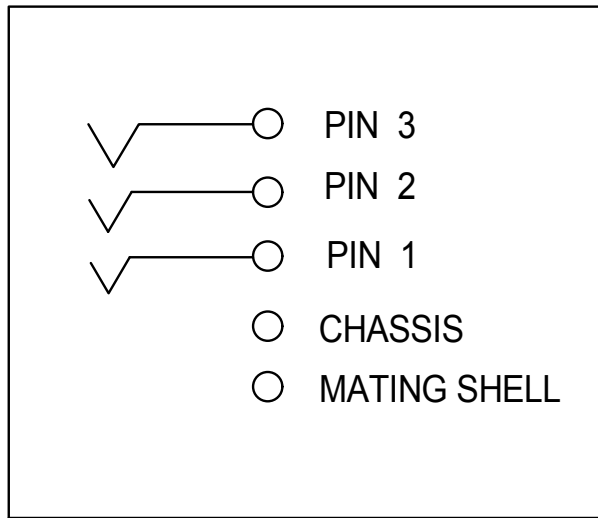
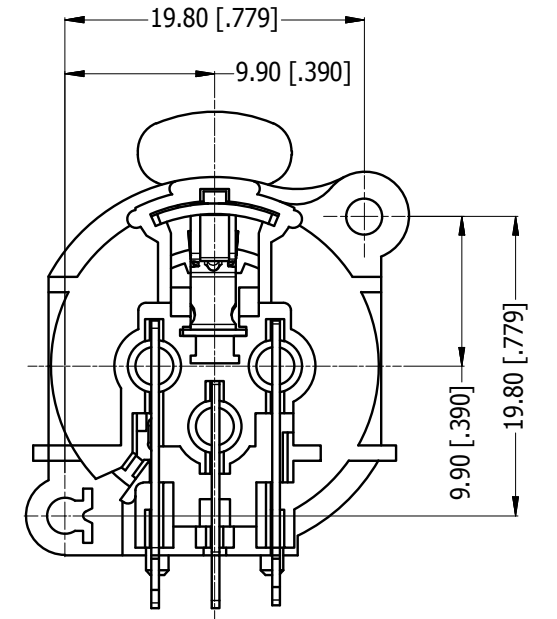
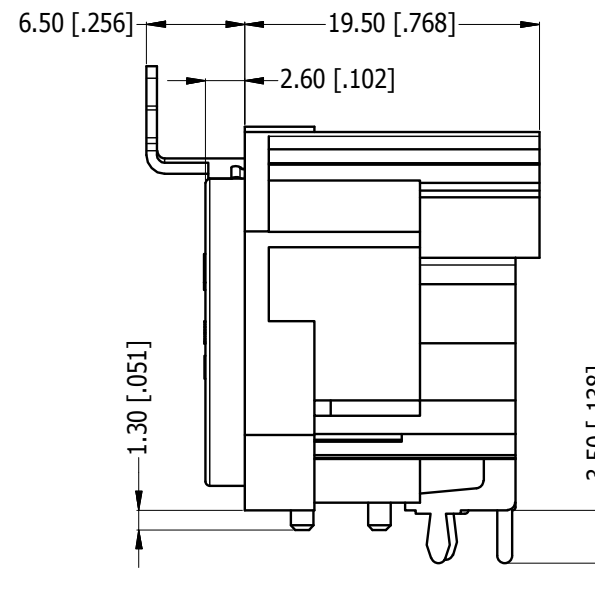
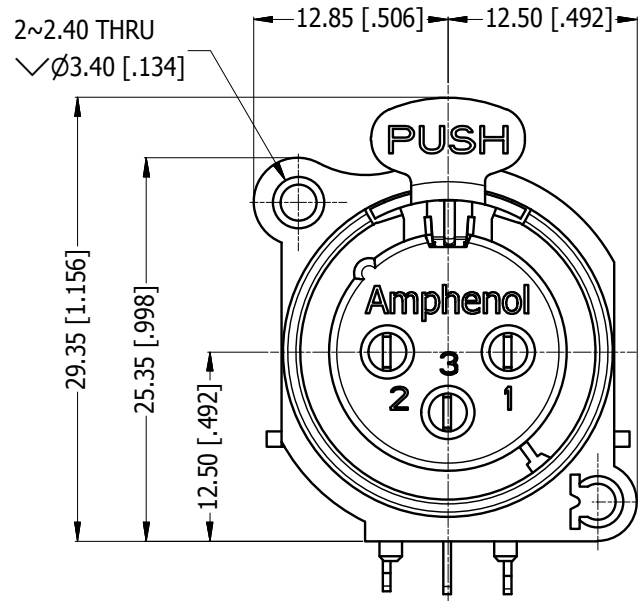
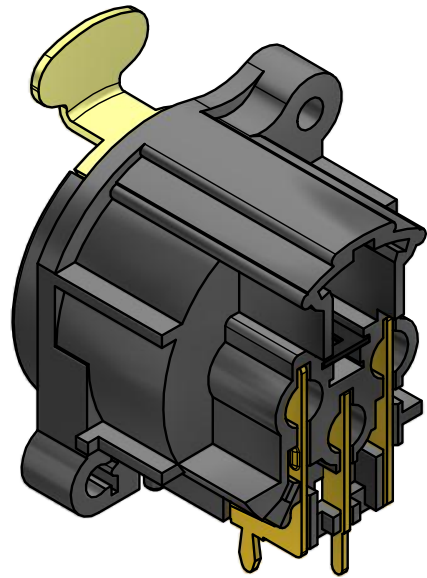


LEGEND = KEY PRODUCT CHARACTERISTICS

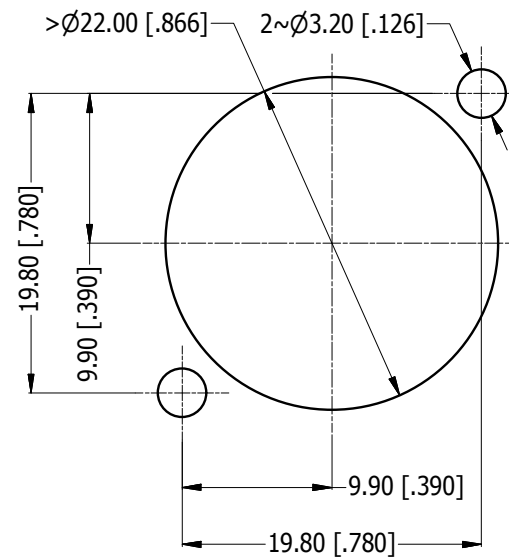
REVISION HISTORY				
REV	DESCRIPTION	DATE	BY	CHG/No
0	FIRST ISSUE	20/08/2014	MH	---



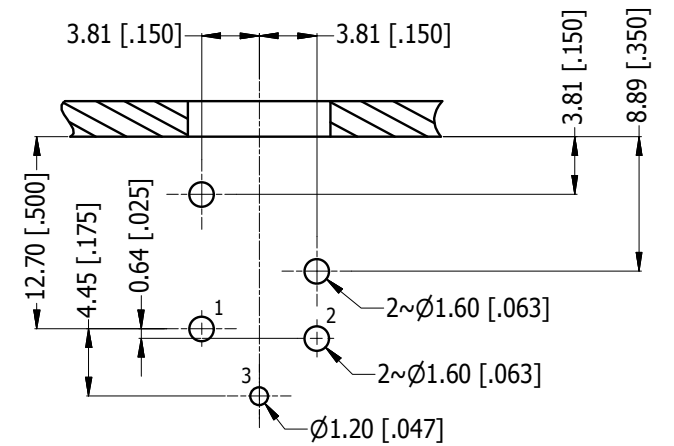
ISO VIEW



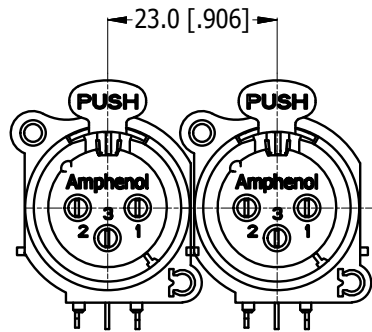
SCHEMATIC CHART



**PANEL CUT OUT
REAR VIEW**



**PCB-LAYOUT
COMPONENT SIDE
TOLERANCE: $\pm 0.05\text{mm}$ [0.002"]**



**MIN MOUNTING PITCH
SCALE 1:1**

UNLESS OTHERWISE SPECIFIED TOLERANCE TO BE		THIS DOCUMENT IS THE PROPERTY OF AMPHENOL AUSTRALIA PTY. LTD. NO PART THEREOF MAY BE REPRODUCED AND USED WITHOUT THE PRIOR WRITTEN CONSENT OF THE OWNER				Amphenol Amphenol Australia Pty.Ltd, 22 Industry Blvd, Carrum Downs, VIC 3201	
LINEAR		ANGULAR		MATERIAL: REFER TO COMPONENT	DRN: MH	DATE: 20/08/14	TITLE: AC3FAH-AU-PRE HORIZONTAL FEMALE CUSTOMER DRAWING
X ±0.5	X' ±1	X.X' ±30'		CKD: M.H	DATE: 20/08/14	PART No: AC3FAH-AU-PRE	
X.XX ±0.2	X.X' ±30'	X.X'X' ±15'		APP'D: P.M	DATE: 20/08/14	DRAWING NO. 55011035-000-2	SHEET 2/2
DO NOT SCALE		FINISH: REFER TO COMPONENT		SCALE: 2:1		SIZE: A3	CAD FILE 55011035000220
DIMENSIONS IN MILLIMETRES				THIRD ANGLE PROJECTION			