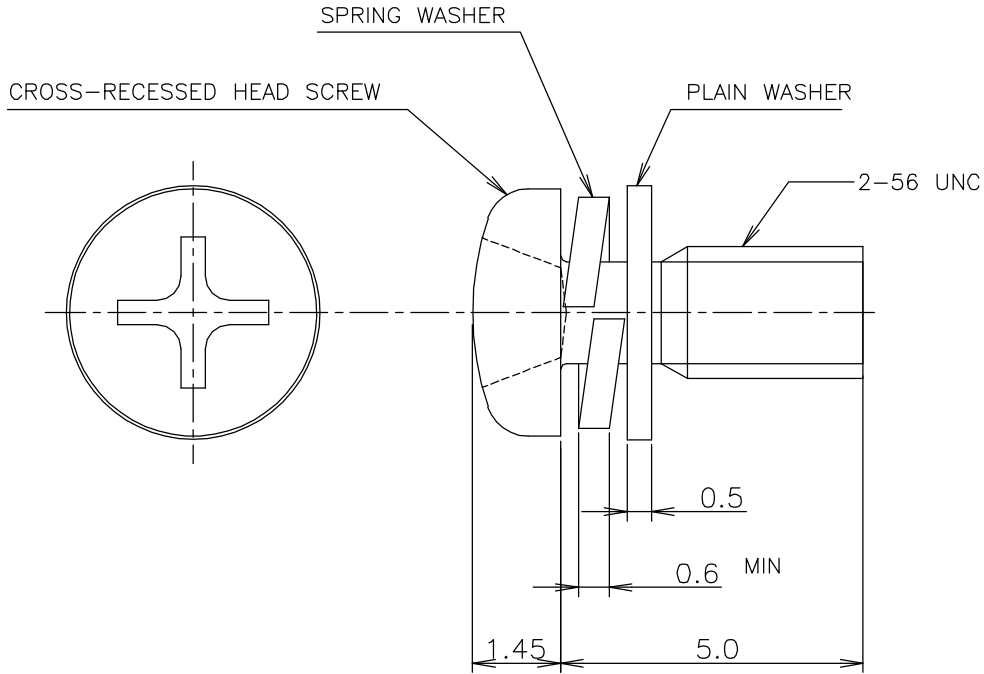


LOC J	DIST —	REVISIONS					
		P	LTR	DESCRIPTION	DATE	DWN	APVD
		B		REVISED ECR-06-014898	20JUN06	L.Z	S.Y

-1; AS SHOWN



- 1 ALL DIMENSIONS ARE REF.
- 2 MATERIAL .  
CROSS-RECESSED HEAD SCREW; STEEL.  
SPRING WASHER; STEEL.  
PLAIN WASHER; STEEL.
- 3 THIS P/N CONTAINS 2 EACH OF CROSS-RECESSED HEAD SCREW WITH  
SPRING WASHER AND PLAIN WASHER.
- 4 FINISH: JIS H8617 CuNi CLASS 2.

RELEASED FOR PUBLICATION JUL , 1994.

THIS DRAWING IS UNPUBLISHED.

ALL RIGHTS RESERVED.

COPYRIGHT 1994 BY TYCO ELECTRONICS CORPORATION.

DIMENSIONS: mm	DWN LEO ZHOU 5APR05	MATERIAL	FINISH	
	CHK T.KAWAMAE 5APR05			
TOLERANCES UNLESS OTHERWISE SPECIFIED:	APVD I.ENOMOTO 5APR05			
	PRODUCT SPEC	<b>tyco</b> Tyco Electronics AMP K.K. <b>Electronics</b> Kawasaki, Japan		
0 PLC ±	APPLICATION SPEC	NAME		
1 PLC ±		2-56UNC SCREW KIT .050AMPLIMITE		
2 PLC ±	WEIGHT	SIZE	CAGE CODE	DRAWING NO
3 PLC ±		A4	00779	C-5179632
4 PLC ±		RESTRICTED TO		
ANGLES ±		CUSTOMER DRAWING		
		SCALE	SHEET	REV
		NTS	1 OF 1	B