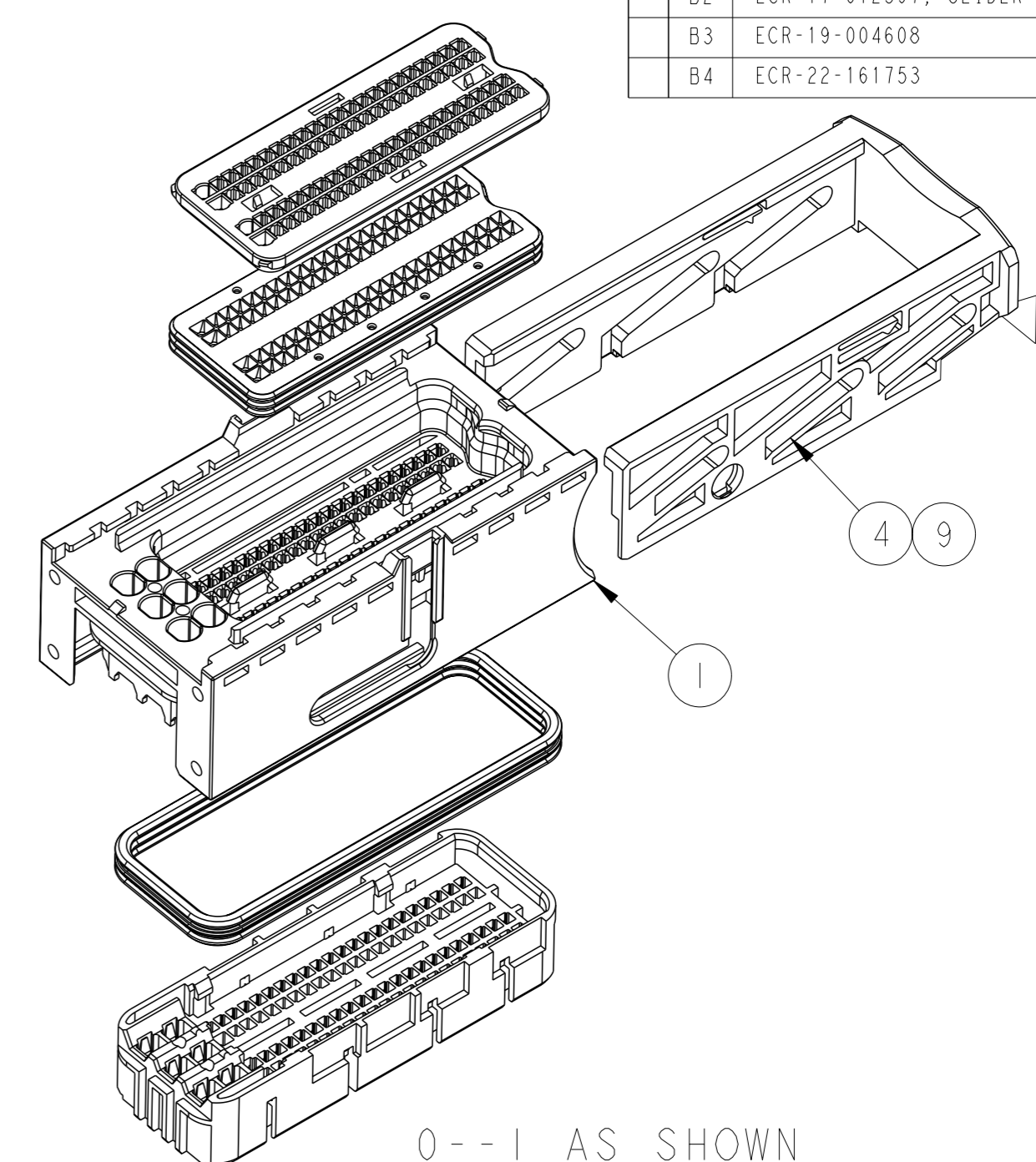
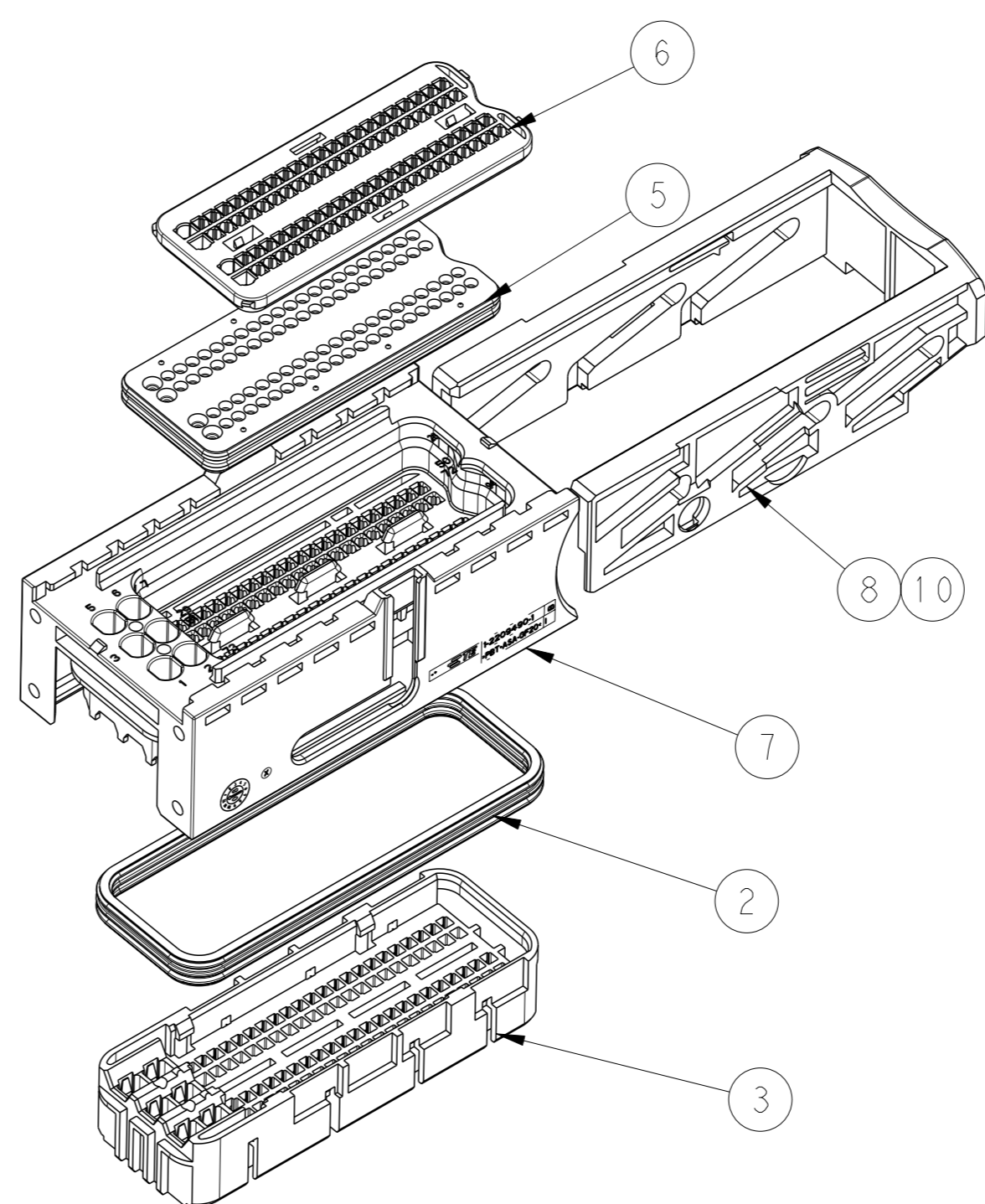
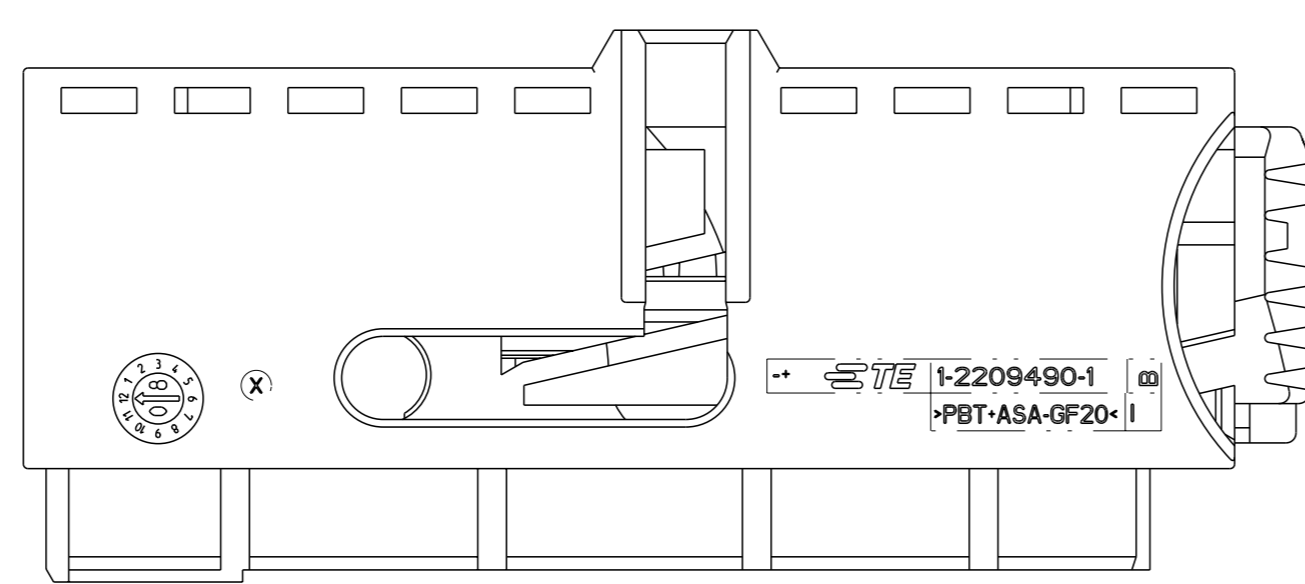
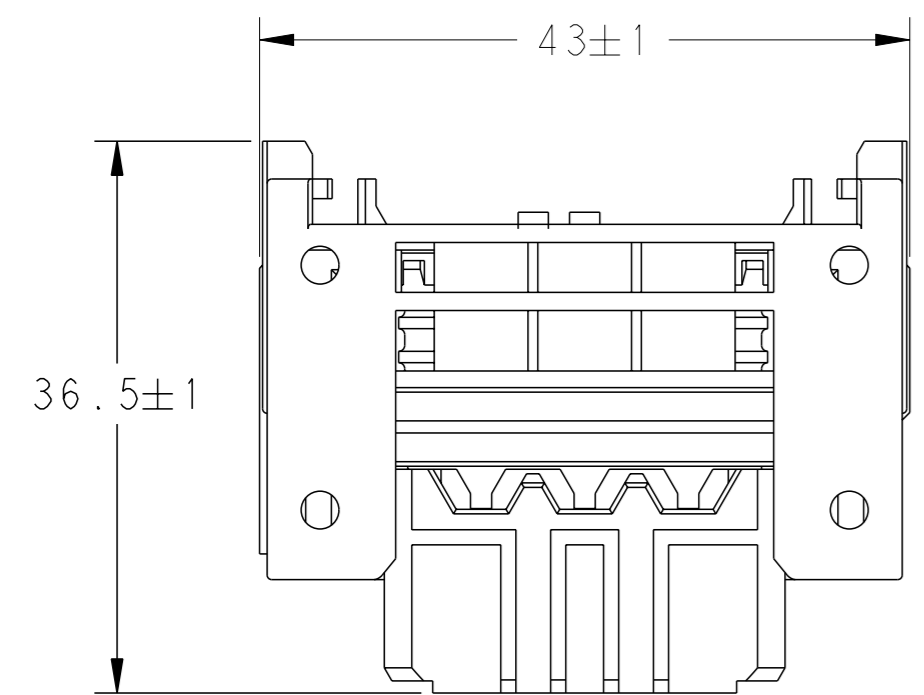


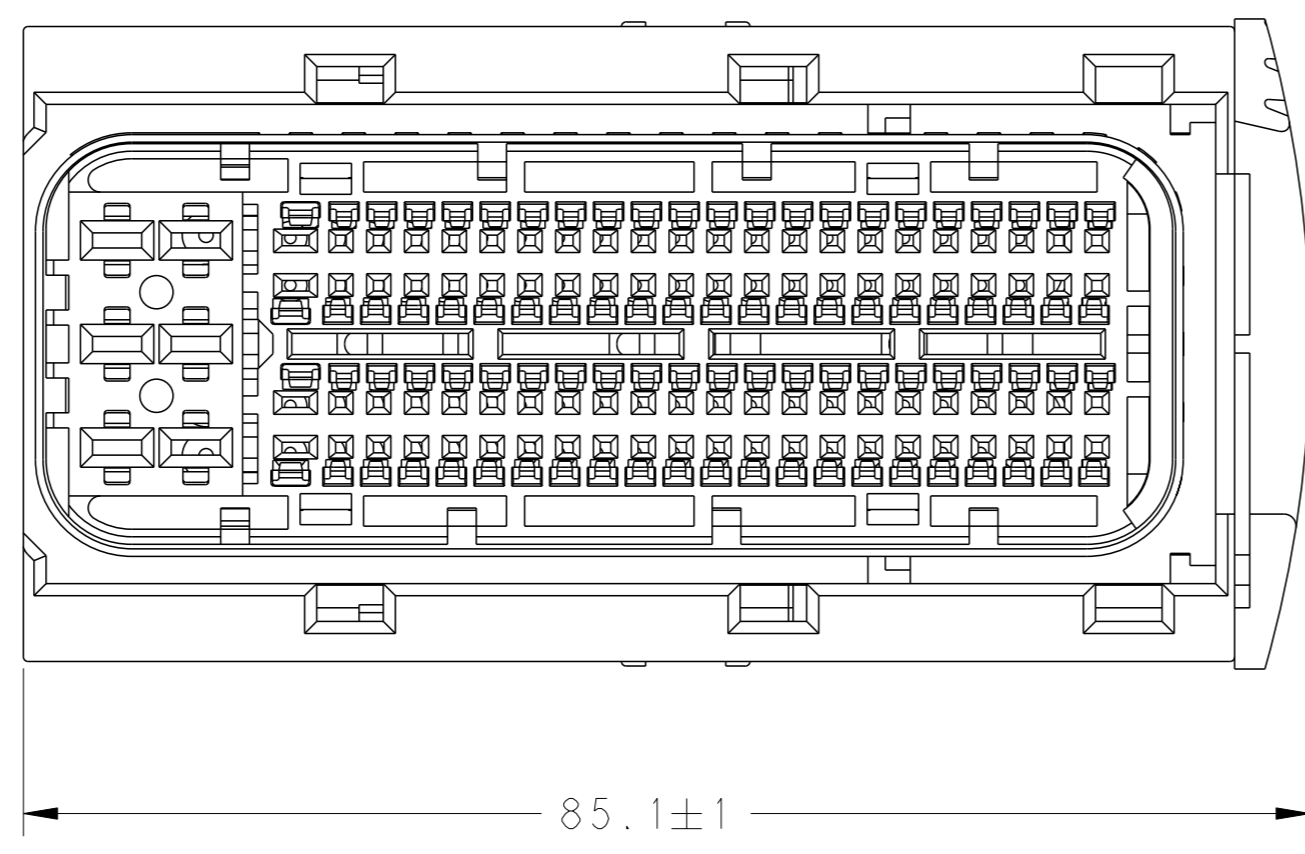
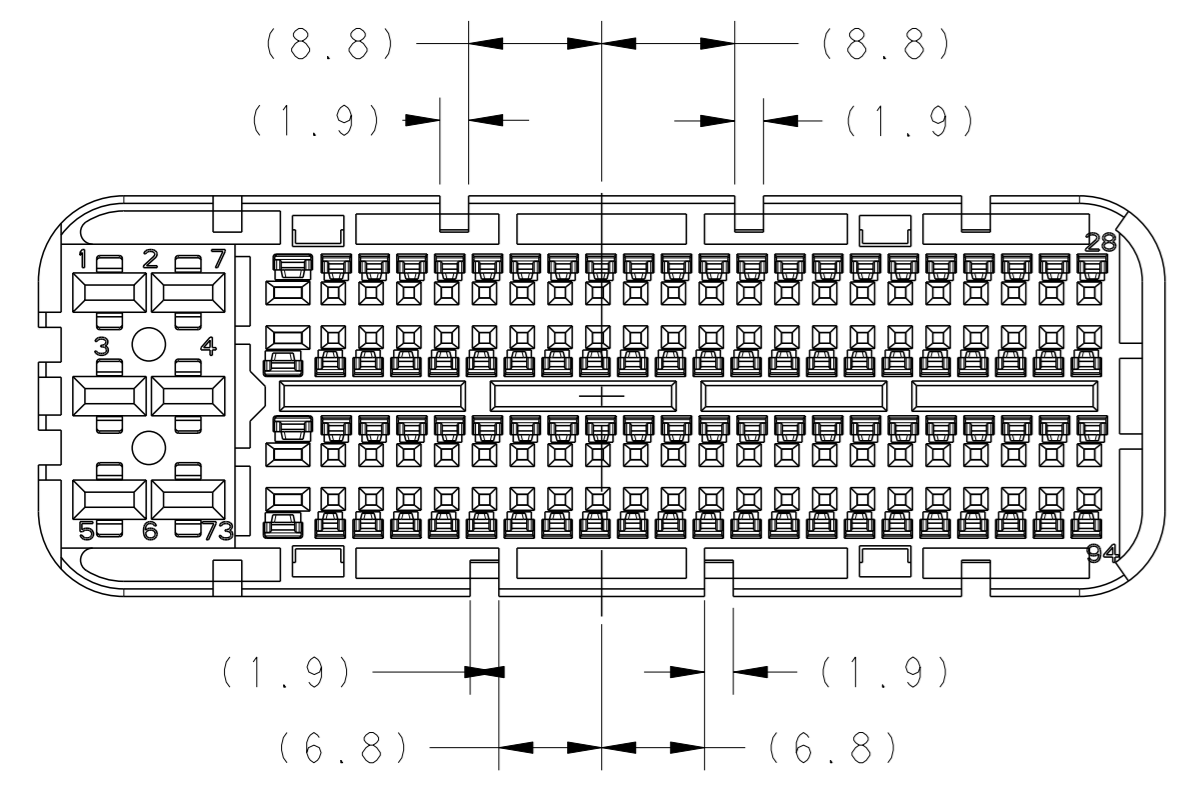
REVISIONS				
P	LYR	DESCRIPTION	DATE	OWN APVD
B1		ECR-16-008097	06JUL16	J.Z S.W
B2		ECR-17-012597, SLIDER CHANGE	05SEP17	C.N I.Y
B3		ECR-19-004608	26MAR19	S.C I.Y
B4		ECR-22-161753	20DEC 22	S.X J.Z



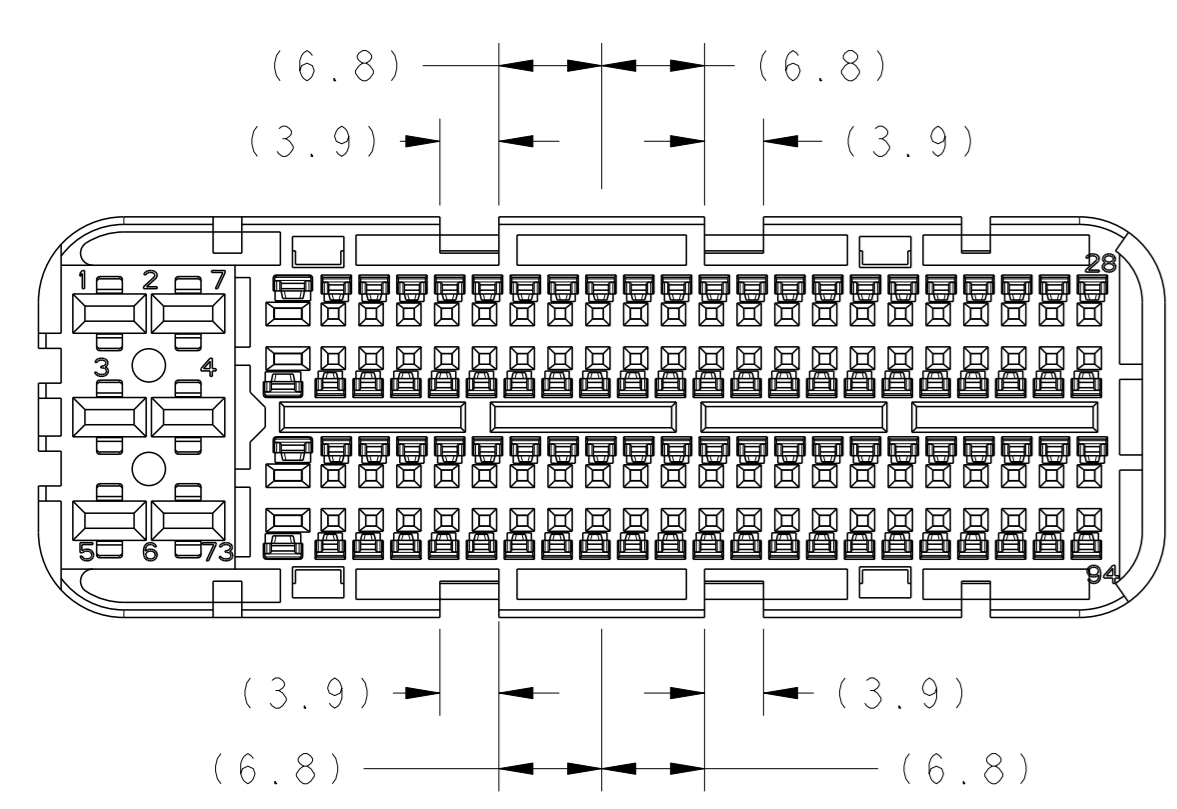
0--1 AS SHOWN

1--1 AS SHOWN

**CODINGS FOR  
0/1-2209545-1  
2/3-2209545-1**



**CODINGS FOR  
0/1-2209545-9  
2/3-2209545-9**



**NOTES:**

- SUITABLE CONTACTS SEE BELOW DRAWINGS:  
 MQS 0.63mm(CLEAN BODY): 968220, 968221, 1534116, 1703282.  
 SUITABLE WIRE SIZE FROM 0.35mm<sup>2</sup> TO 0.75mm<sup>2</sup>,  
 INSULATION OUTER DIAMETER RANGE FROM 1.2 TO 1.9mm.  
 MQS 1.5mm(CLEAN BODY): 1241608  
 SUITABLE WIRE SIZE FROM 0.75mm<sup>2</sup> TO 1.5mm<sup>2</sup>,  
 SUITABLE WIRE INSULATION OUTER DIAMETER RANGE FROM 1.4 TO 2.4mm.  
 MCP 2.8K: 1241392, 1241394, 1241396.  
 SUITABLE WIRE SIZE FROM 0.5mm<sup>2</sup> TO 2.5mm<sup>2</sup>,  
 INSULATION OUTER DIAMETER RANGE FROM 1.4 TO 3.0mm.
- SEALING PLUG P/N: 1394871-1(MQS 0.63mm), 1394872-1(MQS 1.5mm),  
 828922-1(MCP 2.8K), 828922-2(MCP 2.8K)
- SINGLE WIRE SEAL FOR MCP 2.8K CONTACT: 963294-1, 963293-1,  
 963292-1.
- SUITABLE RETAINER P/N: 6-1355134-1, 6-1355135-1.
- SUITABLE COVER P/N: 2137754-1, 2137755-1, 6-1418652-1,  
 6-2141282-1, 2300724-1
- 0/2-2209545-1/9 CAN MATING WITH LEVER 2137752-1/6;  
 1/3-2209545-1/9 CAN MATING WITH LEVER 2305001-1/6;
- \*-2209545-\* IS SUZHOU VERSION PN THAT IS THE  
 SIMILAR PERFORMANCE OF \*-2208284-\*

QTY	QTY	QTY	QTY	MATERIAL	COLOUR	DESCRIPTION	ITEM
1	1	1	1	PBT GF	BLACK	SEALING HOLDER	6
1	1	1	1	SILICONE	LIGHT BLUE	FAMILY SEAL	5
1	1			PA6 GF	BLACK	SLIDE(CUT)	10
		1	1	PA6 GF	BLACK	SLIDE(CUT)	9
1		1		PBT GF	WATER BLUE	CAVITY BLOCK (GENERAL CODING)	3
	1		1	PBT GF	BLUE	CAVITY BLOCK (CODING G)	3
1	1	1	1	SILICONE	ORANGE	SEALING	2
1	1			PBT/ASA GF	BLACK	CARRIER HOUSING (ENHANCED)	7
		1	1	PBT/ASA GF	BLACK	CARRIER HOUSING (ICT)	1
<b>3-2209545-9</b>	<b>3-2209545-1</b>	<b>2-2209545-9</b>	<b>2-2209545-1</b>	<b>P/N</b>			
<b>B</b>	<b>B</b>	<b>B</b>	<b>B</b>	<b>REV.</b>			
<b>LEVER ENHANCED VERSION</b>		<b>ICT VERSION</b>					

QTY	QTY	QTY	QTY	MATERIAL	COLOUR	DESCRIPTION	ITEM
1	1	1	1	PBT GF	BLACK	SEALING HOLDER	6
1	1	1	1	SILICONE	LIGHT BLUE	FAMILY SEAL	5
1	1			PA66 GF	BLACK	SLIDE(CUT)	8
		1	1	PA66 GF	BLACK	SLIDE(CUT)	4
1		1		PBT GF	WATER BLUE	CAVITY BLOCK (GENERAL CODING)	3
	1		1	PBT GF	BLUE	CAVITY BLOCK (CODING G)	3
1	1	1	1	SILICONE	ORANGE	SEALING	2
1	1			PBT/ASA GF	BLACK	CARRIER HOUSING (ENHANCED)	7
		1	1	PBT/ASA GF	BLACK	CARRIER HOUSING (ICT)	1
<b>1-2209545-9</b>	<b>1-2209545-1</b>	<b>0-2209545-9</b>	<b>0-2209545-1</b>	<b>P/N</b>			
<b>B</b>	<b>B</b>	<b>B</b>	<b>B</b>	<b>REV.</b>			
<b>LEVER ENHANCED VERSION</b>		<b>ICT VERSION</b>					

THIS DRAWING IS A CONTROLLED DOCUMENT. DIMENSIONS: mm. TOLERANCES UNLESS OTHERWISE SPECIFIED: 0-PLC 1, 1-PLC 10.5, 2-PLC 40.13, 3-PLC 40.13, 4-PLC 40.001, ANGLES 1. REFERENCE: 71452. OWN: J.LI, CHK: Z.ZHOU, APVD: J.YIN. DATE: 26MAY14, 27MAY14, 5JUN14. NAME: CONNECTOR HOUSING, 94P MQS CB+ MCP2.8K. SIZE: A1. SCALE: 1:1. SHEET: 1 OF 1. REV: B4.