

PART NO.	ENGINEERING NO.	FINISHED LENGTH
1300060888	104000K03M010	1M (3 FT 3.4 IN)
1300060891	104000K03M100	10M (32 FT 9.70 IN)
1300062561	104000K03M200	20M (65 FT 7.40 IN)

(B) CABLE LENGTH TOLERANCES

<.3M [1FT]: +19mm-0 [+.75in-0]

.3 - .9M [1 - 3FT]: +44.5mm-0 [+1.75in-0]

.9 - 1.8M [3 - 6FT]: +55.6mm-0 [+2.19in-0]

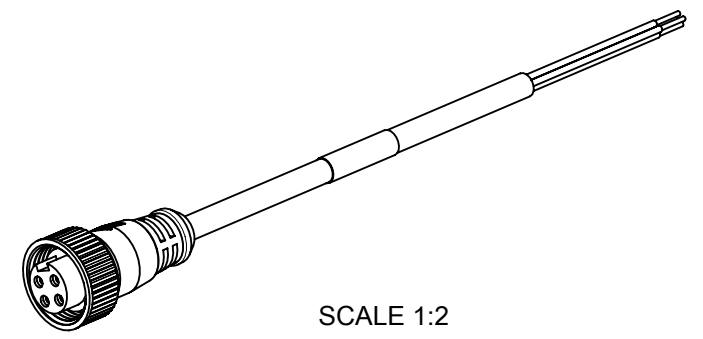
1.8 - 3.7M [6 - 12FT]: +88.9mm-0 [+3.50in-0]

3.7 - 7.3M [12 - 24FT]: +165.1mm-0 [+6.50in-0]

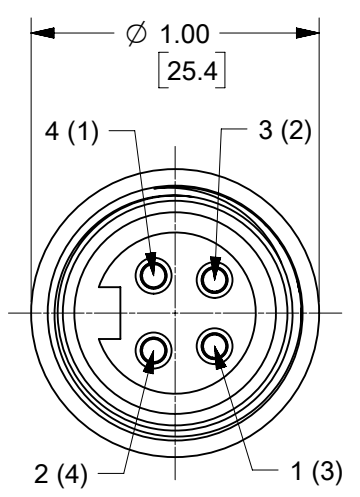
7.3-14.6M [24 - 48FT]: +317.5mm-0 [+12.50in-0]

14.6 - 30.5M [48-100FT]: +622.3mm-0 [+24.50in-0]

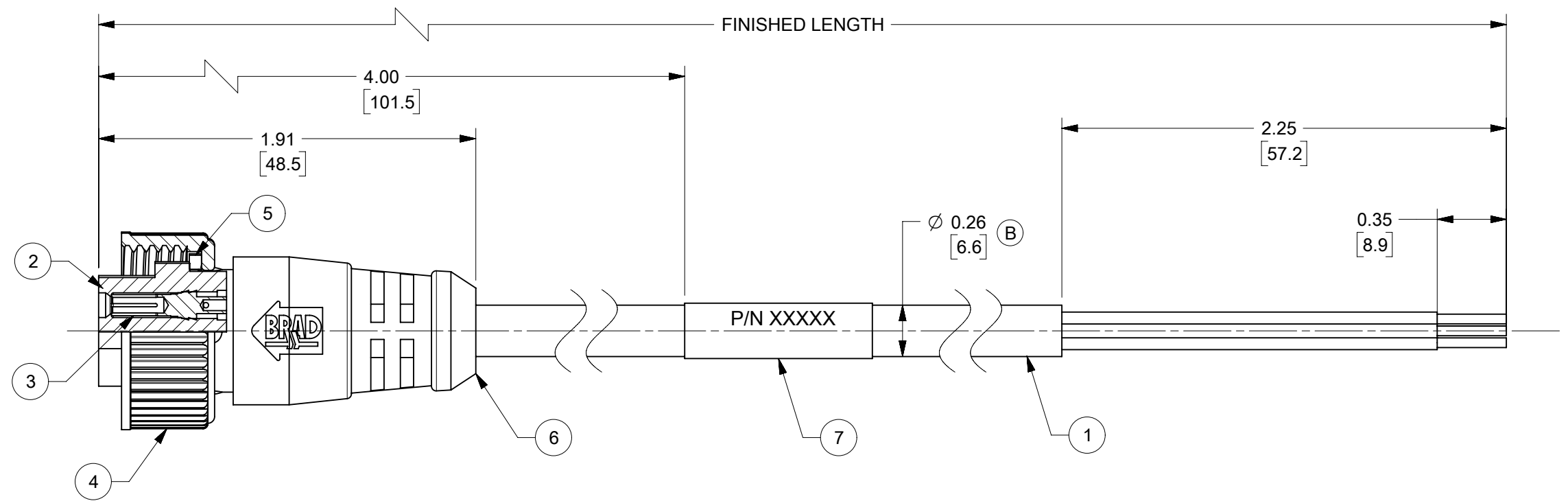
OVER 30M [100FT] +2% OF FINISHED LENGTH



FEMALE FACE VIEW



CENELEC EN 50 044 PINOUT SHOWN
(SAE-J-1738A SHOWN IN PARENTHESIS)



PART NUMBER LEGEND

104000K03M030

FINISHED LENGTH:
M003 = .3 METER
M030 = 3 METER
M300 = 30 METER

WIRING DIAGRAM

4 (1)	BLACK
3 (2)	BLUE
1 (3)	BROWN
2 (4)	WHITE

MECHANICAL CHARACTERISTICS: (B)

TORSIONAL FLEX TEST	10 MILLION CYCLES PER MIL-C-13777G
BEND FLEX TEST	10 MILLION CYCLES PER MIL-C-13777G
WELD SLAG RESISTANCE	WOODHEAD STANDARD S-300

- NOTES:
- MATERIAL: AS NOTED
 - FINISHES: AS NOTED
 - ELECTRICAL:
VOLTAGE: 300V
CURRENT: 5.6A
 - ENVIRONMENTAL
PROTECTION: IP67 (WHEN FULLY MATED)
TEMPERATURE RATING: -20°C TO +105°C (B)
 - COUPLING THREAD: 7/8-16 UN
 - CSA CERTIFIED FILE: LR6837 (B)
 - ALL DIMS ARE FOR REFERENCE UNLESS TOLERANCED OR NOTED OTHERWISE

ITEM	DESCRIPTION	MATERIAL	FINISH
7	WRAP LABEL	VINYL	YELLOW/BLACK
6	OVER MOLD	TPE	YELLOW
5	FRICTION RING	NYLON	WHITE
4	COUPLING NUT	ZINC DIE CAST	BLACK E-COAT
3	SOCKET CONTACT	Cu ALLOY	GOLD OVER NICKEL
2	FEMALE INSERT	TPE	YELLOW
1	CABLE, #18-4 AWG, ITC/PLTC	TPE JACKET	YELLOW

THIS DRAWING CONTAINS INFORMATION THAT IS PROPRIETARY TO MOLEX ELECTRONIC TECHNOLOGIES, LLC AND SHOULD NOT BE USED WITHOUT WRITTEN PERMISSION									
FUNCTIONAL SYMBOLS	DIMENSION UNITS	SCALE	CURRENT REV DESC: UPDATED TEMP RATING, TOL. TABLE & MATERIAL TABLE. ADDED CSA, ITEM 5 MECH.CHARACTERISTICS & CABLE DIA.						
$\nabla = 0$	INCH/MM	1.5:1	<p>EC NO: 701162</p> <p>DRWN: AKABADI 2021/09/03</p> <p>CHKD: RSTONE 2022/03/30</p> <p>APPR: BWOODMAN 2022/04/08</p> <p>INITIAL REVISION:</p> <p>DRWN: ALEON01 2019/08/01</p> <p>APPR: BWOODMAN 2019/08/14</p>						
GENERAL TOLERANCES (UNLESS SPECIFIED)	ANGULAR TOL ± °								
4 PLACES ±	2 PLACES ±								
3 PLACES ±	1 PLACE ±								
DIVISIONAL SYMBOLS	0 PLACES ±	DRAFT WHERE APPLICABLE MUST REMAIN WITHIN DIMENSIONS		THIRD ANGLE PROJECTION	DRAWING	SERIES	MATERIAL NUMBER	CUSTOMER	SHEET NUMBER
					B-SIZE	130006	SEE TABLE		1 OF 1

molex

MINI-CHANGE CORDSET, A SIZE
4 POLE, FEMALE, STRAIGHT, SINGLE KEY, 18 AWG
TPE HI-FLEX

PRODUCT CUSTOMER DRAWING

DOCUMENT NUMBER: 1300062559

DOC TYPE: PSD

DOC PART: 000

REVISION: B