

Part No. 1004322

GPS/GLONASS/Beidou/Galileo Patch Antenna

1.561, 1.575, 1.603 GHz

Supports: Tracking, Smart Home, Agriculture, Automotive, Healthcare, Digital Signage, Wearables, Industrial Devices



GPS / GLONASS / Beidou / Galileo Patch Antenna

1.559 – 1.610 GHz

KYOCERA AVX antennas deliver on the key needs of device designers for higher functionality and performance in smaller/thinner designs. These innovative antennas provide compelling advantages for a GNSS enabled handheld devices, media players and other mobile devices.

Electrical Specifications

Typical characteristics measured on a 70 x 70 mm PCB ground plane.

Frequency (GHz)	1.559 – 1.563	1.575	1.559 – 1.591	1.593 – 1.610
GNSS Bands	Beidou	GPS	Galileo	Glonass
Peak Gain (dBi)	3.89	3.12	4.06	3.92
Center Frequency f_0 (GHz)	1.561	1.575	1.575	1.603
Average Efficiency	54%	58%	51%	59%
Average VSWR	1:3.5	1:2.8	1:3.8	1:2.2
Feed Point Impedance	50 Ω unbalanced			

KEY BENEFITS

Reduced Costs & Time-to-Market

Standard antennas eliminate design fees, redesign cycle time and minimize risk associated with customer solution. Quicker time to market.

Quicker Time-to-Market

By optimizing antenna size, performance and emissions, customer and regulatory specifications are more easily met.

Reliability

Products are the latest RoHS version compliant.

APPLICATIONS

- Embedded design
- POS, Headsets, Tablets
- Gateway, Access Point
- Telematics
- Tracking
- Healthcare
- M2M, Industrial devices
- Smart Grid
- OBD-II

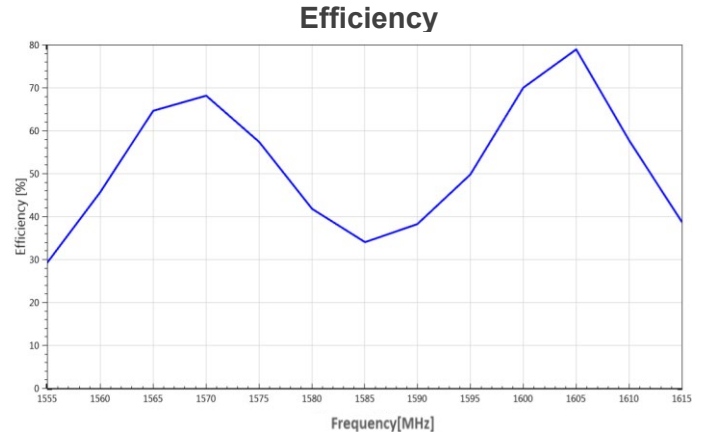
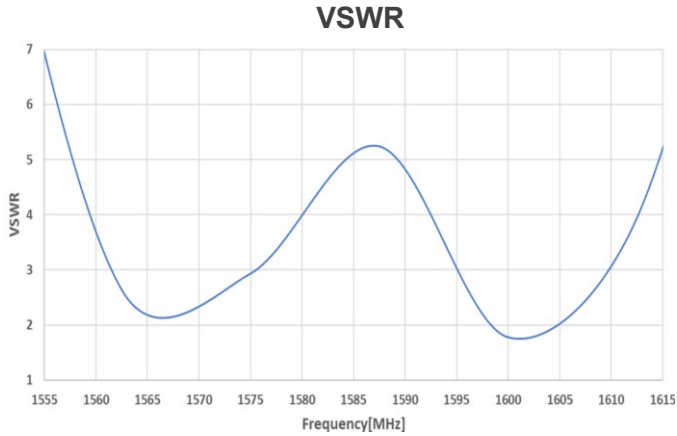
Mechanical Specifications & Ordering Part Number

Ordering Part Number	1004322
Size (mm)	18.0 x 18.0 x 4.7
Mounting (mm)	Adhesive (Nitto 5000NS 15 x 15 x 0.16) & 1 through-hole Solder Pin
Packaging	Plastic Tray
Weight (grams)	6.2

GPS / GLONASS / Galileo / Beidou Patch KYOCERA AVX Embedded Antenna Specifications
 KYOCERA AVX produces a wide variety of standard and custom antennas to meet user needs.

VSWR and Efficiency Plots

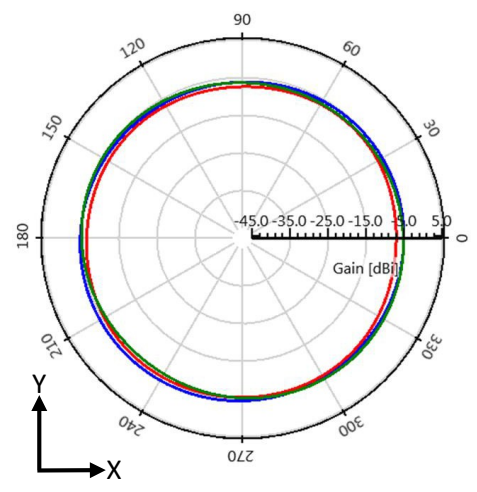
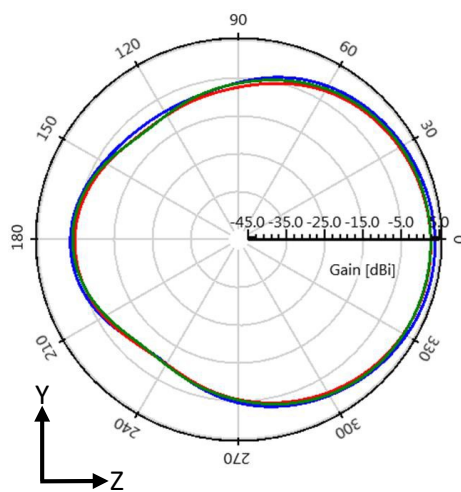
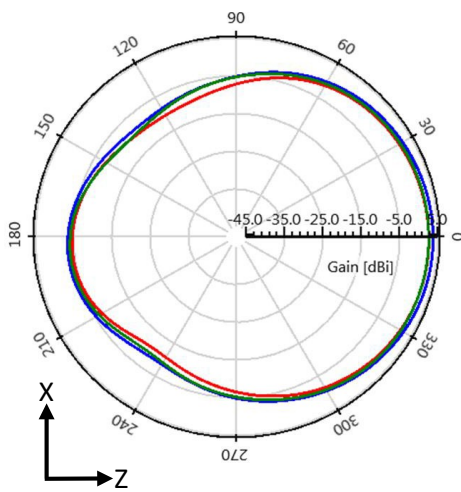
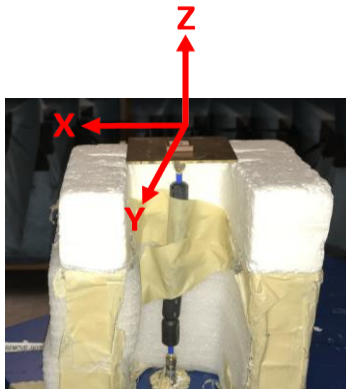
Typical performance on 70 x 70 mm PCB



Radiation Patterns

Typical performance on 70 x 70 mm PCB
 measured @ 1.560, 1.575, 1.605 GHz

- 1.560 GHz
- 1.575 GHz
- 1.605 GHz

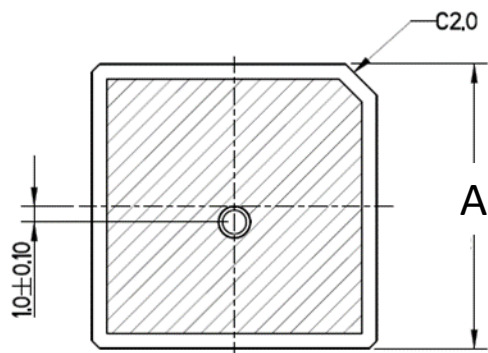


GPS / GLONASS / Galileo / Beidou Patch KYOCERA AVX Embedded Antenna Specifications
 KYOCERA AVX produces a wide variety of standard and custom antennas to meet user needs.

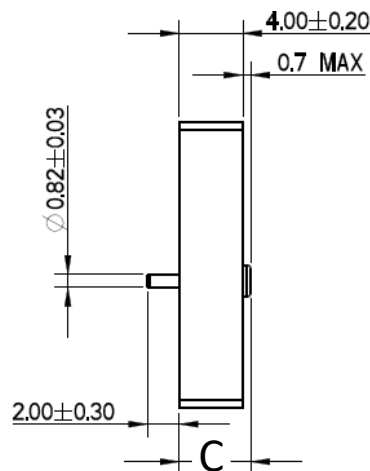
Mechanical Dimensions

Typical antenna dimensions (mm)

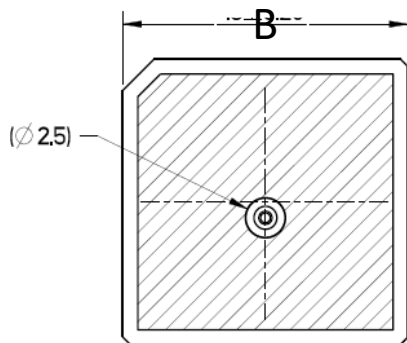
Part Number	A (mm)	B (mm)	C (mm)
1004322	18.0 ± 0.2	18.0 ± 0.2	4.7 (+0.2/-0.4)



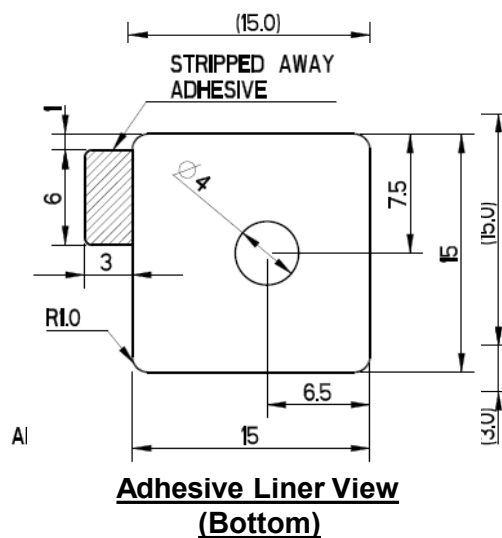
Top View



Side View



Bottom View



Adhesive Liner View (Bottom)