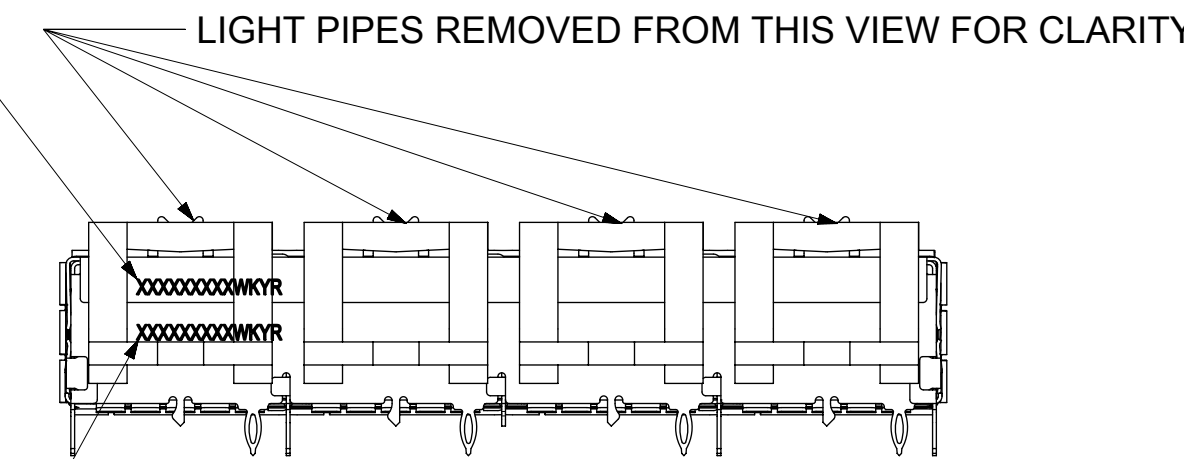


PART NO. AND WEEK/YEAR DATE CODE TO BE PRINTED ON BACK OF CAGE APPROXIMATELY AS SHOWN. SEE TABE BELOW FOR DATE CODE INFORMATION.(P/N FOR LIGHT PIPE COVER)

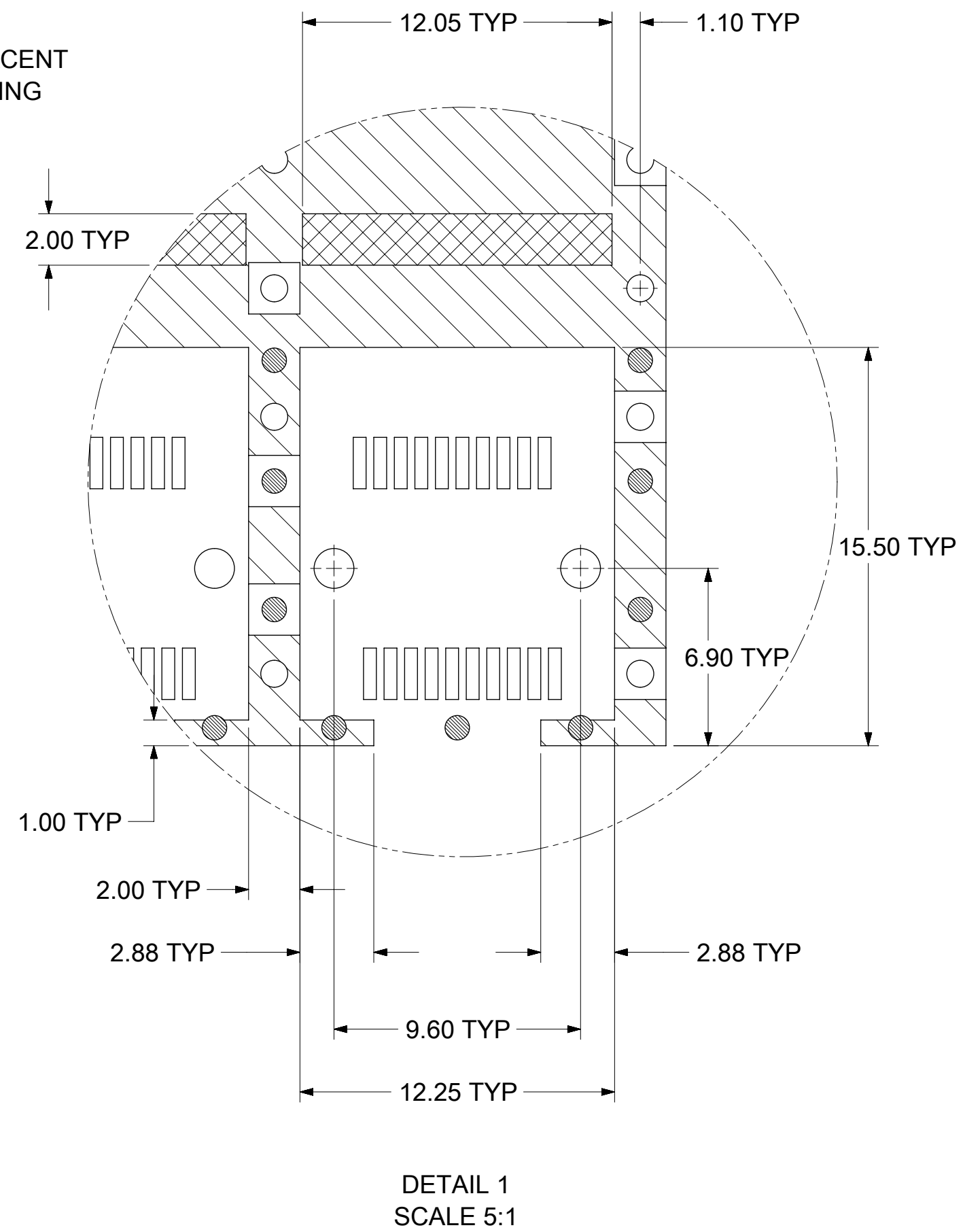
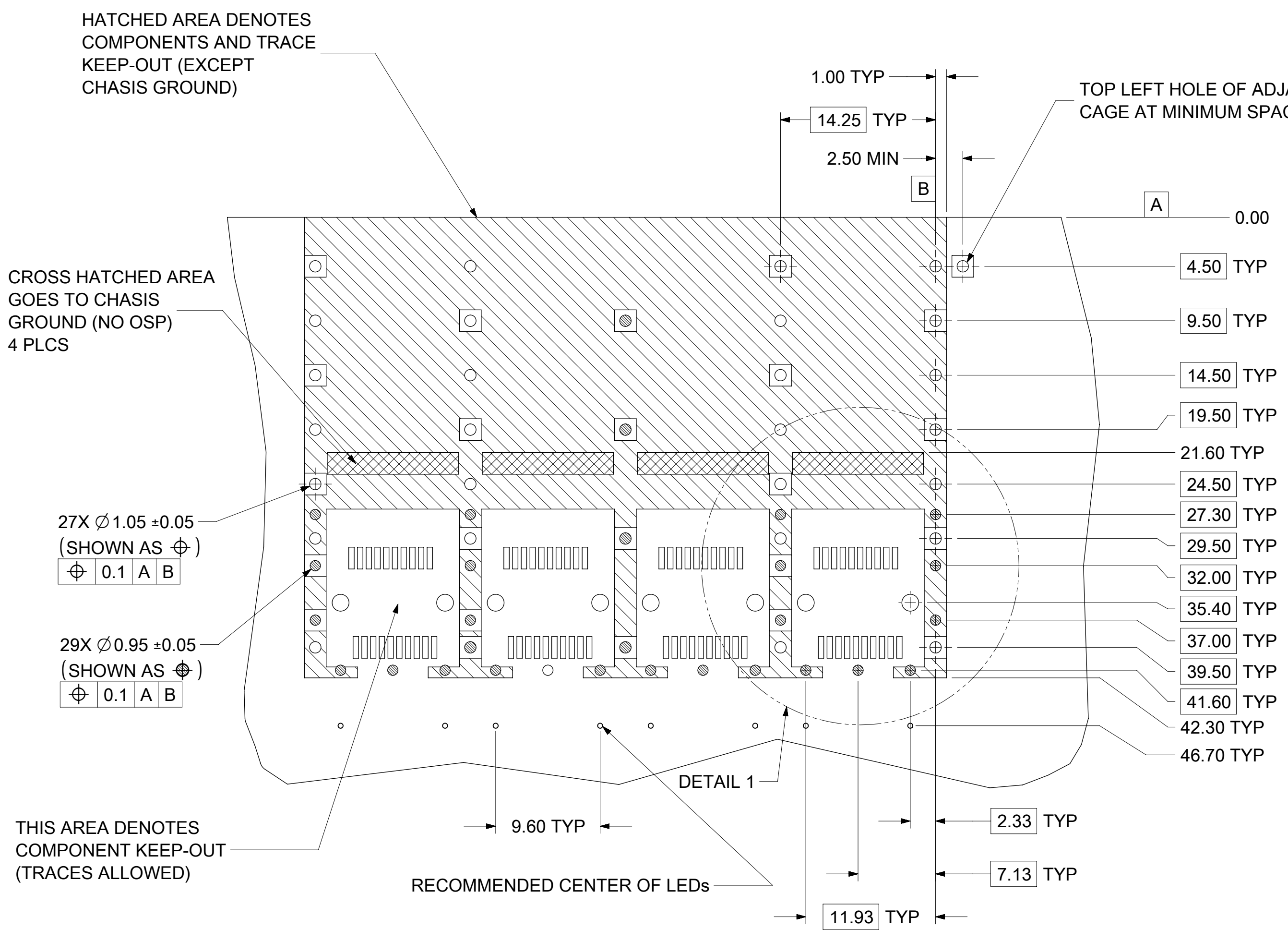


- NOTES:
- MATERIAL:  
 CAGE: NICKEL PLATED COPPER ALLOY, THICKNESS 0.25mm.  
 SPRING FINGER: STAINLESS STEEL.  
 LIGHT PIPE COVER: NICKEL PLATED COPPER ALLOY.  
 LIGHT PIPE: POLYCARBONATE (94-V0 RATED)
  - PRESS FIT LEGS 3.05 LONG -  
 3.00 MINIMUM PCB THICKNESS FOR BELLY TO BELLY USE.  
 1.57 MINIMUM PCB THICKNESS FOR SINGLE SIDE USE.  
 INSERTION FORCE INTO PCB < 100 LBS.
  - PORTS ARE DESIGNED FOR SFP+ TRANSCEIVERS AND ARE COMPATIBLE WITH SFP TRANSCEIVERS.
  - WELD SPOTS WILL SHOW SLIGHT DISCOLORATION.
  - IT IS NOT RECOMENDED TO PRESS ON LIGHT PIPES WHEN INSTALLING CAGE.
  - NO RoHS EXEMPTIONS.

WEEK/YEAR DATE CODE	
WK	01 THRU 52. EXAMPLE: 01 = FIRST WEEK OF YEAR 52 = LAST WEEK OF YEAR
YR	22, 23, 24. EXAMPLE: 2022 = 22

FUNCTIONAL SYMBOLS	THIS DRAWING CONTAINS INFORMATION THAT IS PROPRIETARY TO MOLEX ELECTRONIC TECHNOLOGIES, LLC AND SHOULD NOT BE USED WITHOUT WRITTEN PERMISSION		CURRENT REV DESC: SEE REVISION TABLE		
	DIMENSION UNITS	SCALE			
$\nabla_A = 0$	mm	2:1			SFP+ 1X4 GANGED CAGE ASSY WITH SUS SPRING FINGERS ULTRA LOW PROFILE DUAL LIGHT PIPE
$\nabla_E = 0$	GENERAL TOLERANCES (UNLESS SPECIFIED)				
$\nabla_P = 0$	ANGULAR TOL ± 1.0°				PRODUCT CUSTOMER DRAWING
DIVISIONAL SYMBOLS	4 PLACES ±		EC NO: 707270		
	3 PLACES ±		DRWN: PKH 2022/04/14		
	2 PLACES ± 0.15		CHK'D: TKUMARKC 2022/05/27		
	1 PLACE ± 0.25		APPR: SCHIEN 2022/06/01		
	0 PLACES ±		INITIAL REVISION:		
	DRAFT WHERE APPLICABLE MUST REMAIN WITHIN DIMENSIONS		DRWN: PKH 2022/04/14		DOCUMENT NUMBER <b>747548704</b>
	THIRD ANGLE PROJECTION		APPR: SCHIEN 2022/06/01		
	DRAWING		SERIES		DOC TYPE DOC PART REVISION <b>PSD ASY A</b>
	C-SIZE		74754		
	MATERIAL NUMBER		CUSTOMER		SHEET NUMBER 1 OF 5
	747548704				

# PCB LAYOUT FOR BELLY TO BELLY MOUNTING

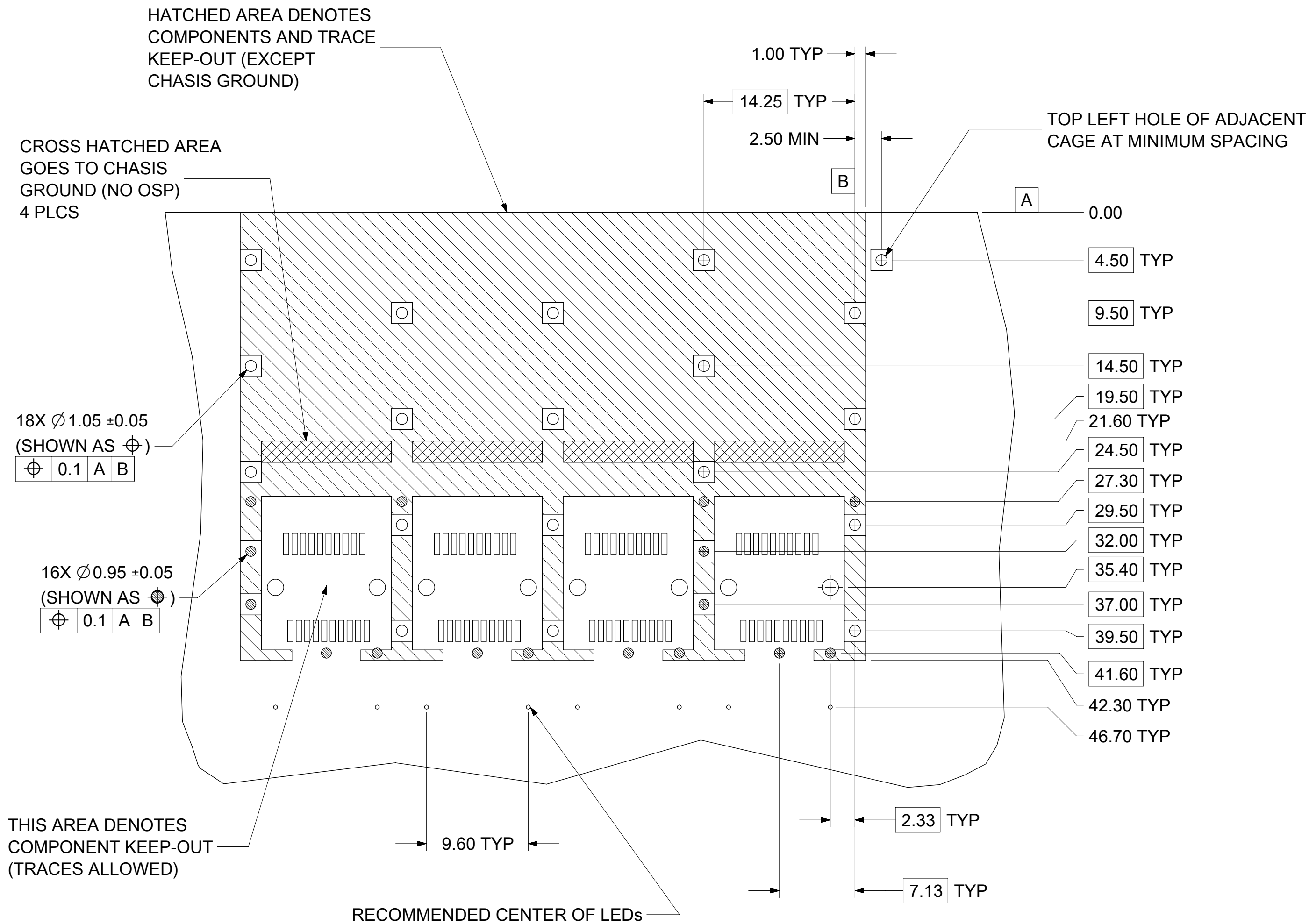


LAYOUT APPLIES TO EACH PORT  
LEDs SHOULD BE PLACED RELATIVE TO THE SFP CONNECTOR POST HOLES

- NOTES:
1. PADS AND VIAS CONNECT TO CHASSIS GROUND (RECOMMEND PADS TO BE 2.00mm SQUARE).
  2. RECOMMENDED THRU HOLE PLATING INCLUDES HASL, OSP, OR IMMERSION (GOLD, SILVER, OR TIN).
  3. CONNECTOR PAD LAYOUT PER SFP+ MSA WILL ACCOMMODATE MOLEX CONNECTOR SERIES 74441 OR EQUIVALENT.
  4. HOLE PATTERN REPEATS FOR EACH PORT. SPACING BETWEEN PORTS IS 14.25mm.

FUNCTIONAL SYMBOLS	THIS DRAWING CONTAINS INFORMATION THAT IS PROPRIETARY TO MOLEX ELECTRONIC TECHNOLOGIES, LLC AND SHOULD NOT BE USED WITHOUT WRITTEN PERMISSION		CURRENT REV DESC: SEE REVISION TABLE			
	DIMENSION UNITS	SCALE	EC NO: 707270			
	$\frac{F}{A} = 0$	mm	3:1	DRWN: PKH		2022/04/14
	$\frac{F}{C} = 0$	GENERAL TOLERANCES (UNLESS SPECIFIED)		CHK'D: TKUMARKC		2022/05/27
$\frac{F}{P} = 0$	ANGULAR TOL $\pm 1.0^\circ$		APPR: SCHIEN	2022/06/01	SFP+ 1X4 GANGED CAGE ASSY WITH SUS SPRING FINGERS ULTRA LOW PROFILE DUAL LIGHT PIPE	
DIVISIONAL SYMBOLS		INITIAL REVISION:		PRODUCT CUSTOMER DRAWING		
4 PLACES $\pm$		DRWN: PKH		DOCUMENT NUMBER		
3 PLACES $\pm$		APPR: SCHIEN		747548704		
2 PLACES $\pm 0.15$		2022/04/14		DOC TYPE	DOC PART	REVISION
1 PLACE $\pm 0.25$		2022/06/01		PSD	ASY	A
0 PLACES $\pm$		2022/06/01		MATERIAL NUMBER		SHEET NUMBER
DRAFT WHERE APPLICABLE MUST REMAIN WITHIN DIMENSIONS		THIRD ANGLE PROJECTION	DRAWING	SERIES	CUSTOMER	747548704
			C-SIZE	74754		2 OF 5

# PCB LAYOUT FOR SINGLE SIDED MOUNTING

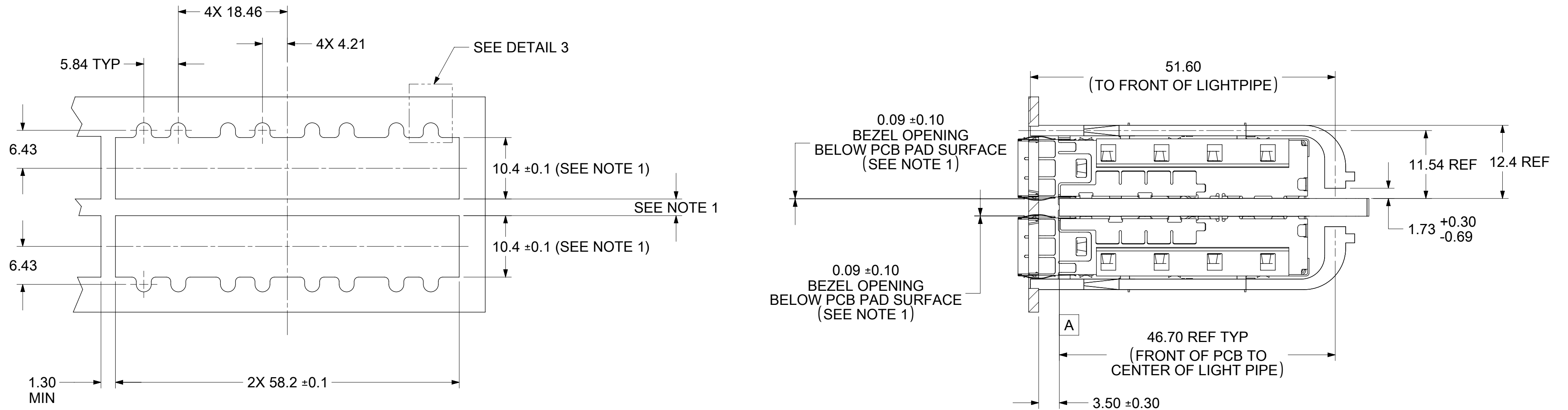


**NOTE:**  
SEE SHEET 2 FOR HOST CONNECTOR DETAIL

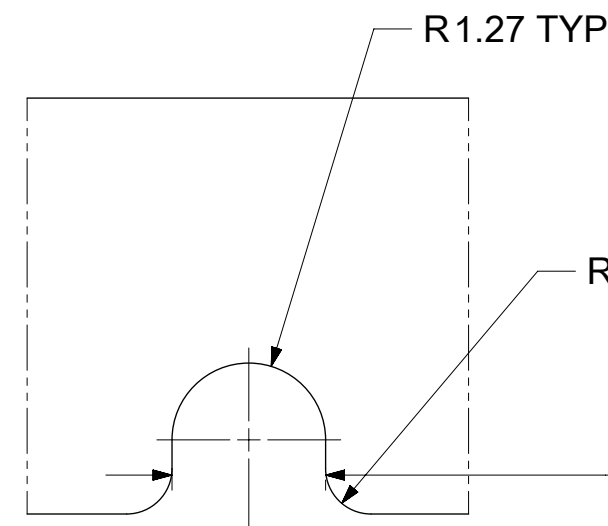
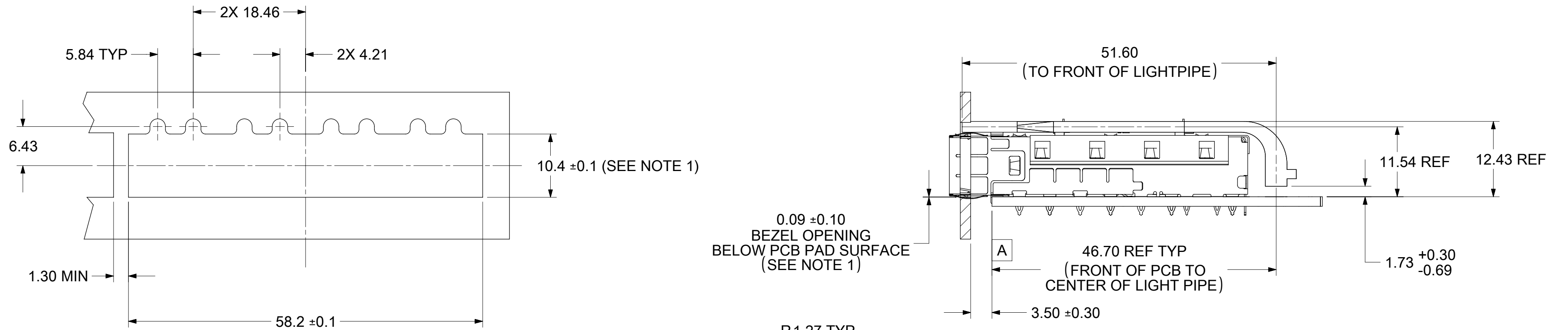
- NOTES:
1. PADS AND VIAS CONNECT TO CHASSIS GROUND (RECOMMEND PADS TO BE 2.00mm SQUARE).
  2. RECOMMEND THRU HOLE PLATING INCLUDES HASL, OSP, OR IMMERSION (GOLD, SILVER OR TIN).
  3. CONNECTOR PAD LAYOUT PER SFP+ MSA WILL ACCOMODATE MOLEX CONNECTOR SERIRS 74441 OR EQUIVALENT.
  4. HOLE PATTERN REPEATS FOR EACH PORT. SPACING BETWEEN PORTS IS 14.25mm.

FUNCTIONAL SYMBOLS	THIS DRAWING CONTAINS INFORMATION THAT IS PROPRIETARY TO MOLEX ELECTRONIC TECHNOLOGIES, LLC AND SHOULD NOT BE USED WITHOUT WRITTEN PERMISSION		CURRENT REV DESC: SEE REVISION TABLE		
	DIMENSION UNITS	SCALE			
$\frac{F}{A} = 0$	mm	3:1			SFP+ 1X4 GANGED CAGE ASSY WITH SUS SPRING FINGERS ULTRA LOW PROFILE DUAL LIGHT PIPE
$\frac{F}{C} = 0$	GENERAL TOLERANCES (UNLESS SPECIFIED)				
$\frac{F}{P} = 0$	ANGULAR TOL $\pm 1.0^\circ$				PRODUCT CUSTOMER DRAWING
DIVISIONAL SYMBOLS	4 PLACES	$\pm$	EC NO: 707270	2022/04/14	
	3 PLACES	$\pm$	DRWN: PKH	2022/05/27	
	2 PLACES	$\pm 0.15$	CHK'D: TKUMARKC	2022/06/01	
	1 PLACE	$\pm 0.25$	APPR: SCHIEN		
0 PLACES	$\pm$	INITIAL REVISION:			
DRAFT WHERE APPLICABLE MUST REMAIN WITHIN DIMENSIONS		THIRD ANGLE PROJECTION	DRAWING	SERIES	DOCUMENT NUMBER
			C-SIZE	74754	747548704
					MATERIAL NUMBER
					CUSTOMER
					DOC TYPE
					DOC PART
					REVISION
					PSD ASY A
					SHEET NUMBER
					3 OF 5

## BEZEL AND BOARD POSITION DIMENSIONS FOR BELLY TO BELLY MOUNTING (SPRING FINGER)



## BEZEL AND BOARD POSITION DIMENSIONS FOR SINGLE SIDED MOUNTING (SPRING FINGER)



DETAIL 3  
SCALE 8:1

PROFILE FOR BOTH  
SINGLE SIDED AND BELLY-TO-BELLY

NOTES:  
1. PCB THICKNESS VARIATION MUST BE CONSIDERED WHEN DETERMINING BEZEL OPENING, SIZE, AND LOCATION.

THIS DRAWING CONTAINS INFORMATION THAT IS PROPRIETARY TO MOLEX ELECTRONIC TECHNOLOGIES, LLC AND SHOULD NOT BE USED WITHOUT WRITTEN PERMISSION											
FUNCTIONAL SYMBOLS	DIMENSION UNITS	SCALE	CURRENT REV DESC: SEE REVISION TABLE								
▽ = 0	mm	2:1	<div style="display: flex; justify-content: space-between;"> <div style="width: 45%;"> <p>EC NO: 707270</p> <p>DRWN: PKH</p> <p>CHK'D: TKUMARKC</p> <p>APPR: SCHIEN</p> </div> <div style="width: 45%;"> <p>2022/04/14</p> <p>2022/05/27</p> <p>2022/06/01</p> </div> </div>								
∠ = 0	GENERAL TOLERANCES (UNLESS SPECIFIED)										
∠ = 0	ANGULAR TOL ± 1.0°										
∠ = 0	DRAFT WHERE APPLICABLE MUST REMAIN WITHIN DIMENSIONS										
▽ = 0	4 PLACES ±		INITIAL REVISION:			DOCUMENT NUMBER			DOC TYPE   DOC PART   REVISION		
▽ = 0	3 PLACES ±		DRWN: PKH			<div style="font-size: 24pt; font-weight: bold;">747548704</div>			PSD	ASY	A
▽ = 0	2 PLACES ±		APPR: SCHIEN								
▽ = 0	1 PLACE ±		2022/04/14			MATERIAL NUMBER			CUSTOMER		
▽ = 0	0 PLACES ±		2022/06/01			74754			SHEET NUMBER		
			THIRD ANGLE PROJECTION			DRAWING			SERIES		
			C-SIZE			74754			4 OF 5		

