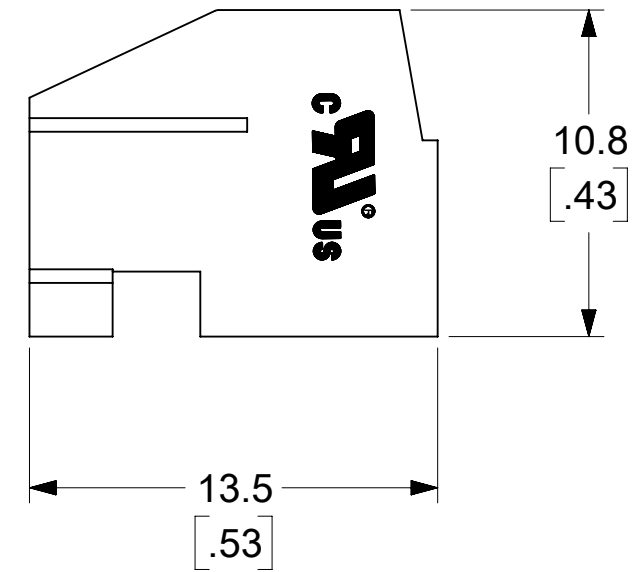
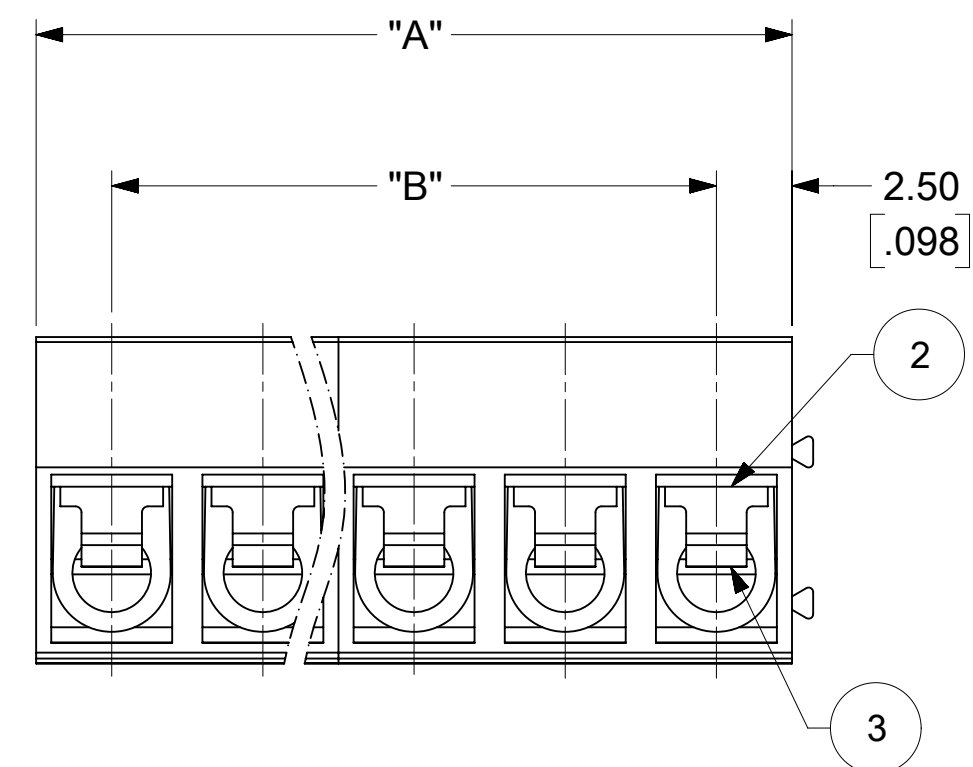
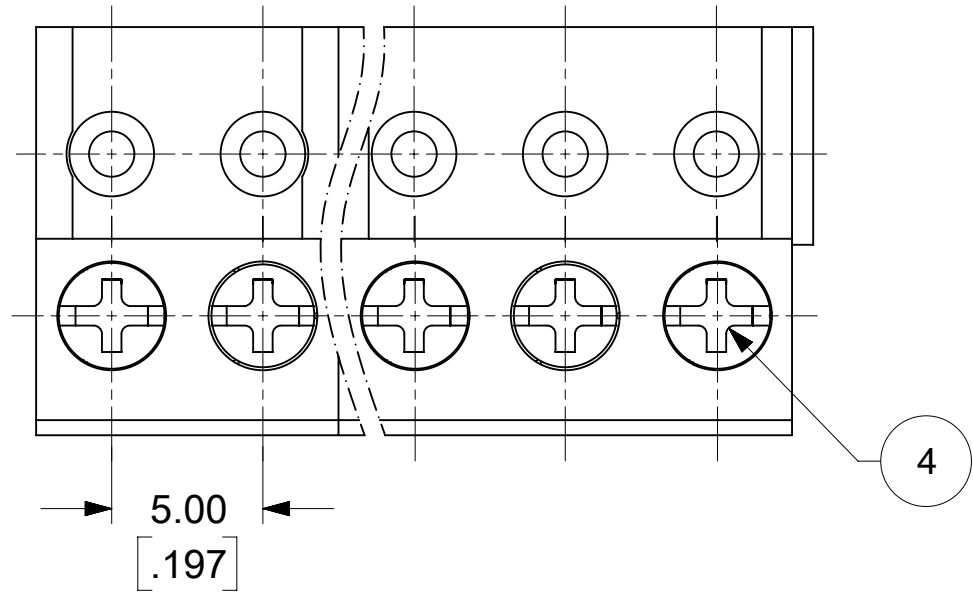


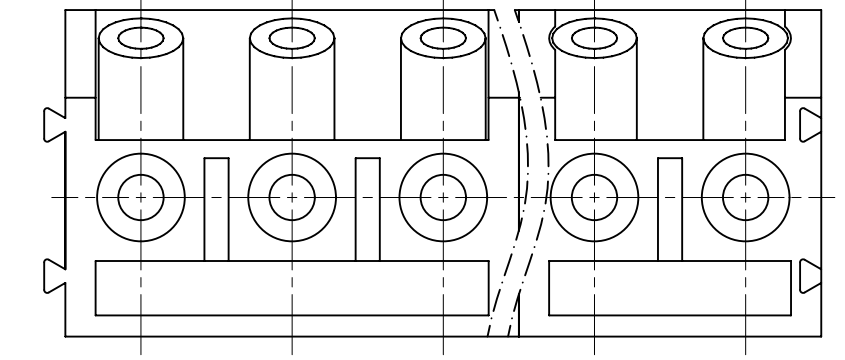
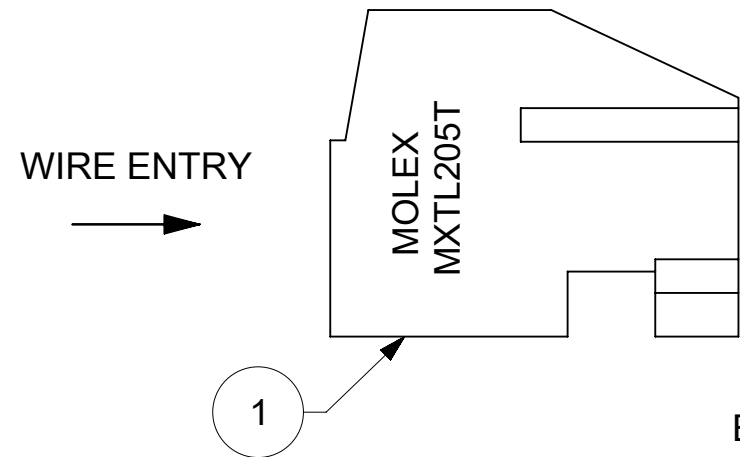
NOTES:

1. RATING: 300V 10A(UL)
2. INSULATION WITHSTAND VOLTAGE: AC2000V/MIN
3. INSULATION RESISTANCE: 500MΩ or MORE AT DC500V
4. TEMPERATURE RANGE: -40°C TO +105°C
5. SCREW TORQUE: 0.50N.m (4.4 in lbs.) RECOMMENDED ,
0.99 N.m (8.8 in lbs.) MAX PER UL
6. WIRE RANGE: 22-14 AWG
7. XX EQUALS NUMBER OF POLES



PART NUMBER DATA							
CIRCUITS	PART NUMBER	ENGINEERING NUMBER	COLOR	"A"		"B"	
				mm	IN	mm	IN
2	397611002	MXTL205T-02P	GREEN	10.0	[.39]	5.00	[.197]
2	397611202	MXTL205T-02P-2	RED	10.0	[.39]	5.00	[.197]
2	397611302	MXTL205T-02P-3	YELLOW	10.0	[.39]	5.00	[.197]
3	397611003	MXTL205T-03P	GREEN	15.0	[.59]	10.00	[.394]
4	397611004	MXTL205T-04P	GREEN	20.0	[.79]	15.00	[.591]
4	397611304	MXTL205T-04P-3	YELLOW	20.0	[.79]	15.00	[.591]
5	397611005	MXTL205T-05P	GREEN	25.0	[.98]	20.00	[.787]
5	397611105	MXTL205T-05P-1	BLUE	25.0	[.98]	20.00	[.787]
6	397611006	MXTL205T-06P	GREEN	30.0	[1.18]	25.00	[.984]
6	397611106	MXTL205T-06P-1	BLUE	30.0	[1.18]	25.00	[.984]
7	397611007	MXTL205T-07P	GREEN	35.0	[1.38]	30.00	[1.181]
8	397611008	MXTL205T-08P	GREEN	40.0	[1.57]	35.00	[1.378]
10	397611010	MXTL205T-10P	GREEN	50.0	[1.97]	45.00	[1.772]
12	397611012	MXTL205T-12P	GREEN	60.0	[2.36]	55.00	[2.165]

REF. LAST 2 DIGITS OF PART NO. EQUAL CIRCUIT LENGTH



ENGINEERING NUMBER LEGEND
MXTL205T - XXP - X
 STYLE → POLES → COLOR OPTION
 BLANK=GREEN
 -1=BLUE
 -2=RED
 -3=YELLOW

REF. TOLERANCES ARE SHOWN IN METRIC (mm)

POLES	2	3	4	5	6	7	8	9	10	11	12
DIM. "A"	10	15	20	25	30	35	40	45	50	55	60
TOL(±)	0.20	0.25	0.25	0.30	0.35	0.35	0.40	0.45	0.55	0.55	0.60
DIM. "B"	5	10	15	20	25	30	35	40	45	50	55
TOL(±)	0.15	0.20	0.25	0.25	0.30	0.35	0.35	0.40	0.45	0.55	0.55

ITEM	QTY.	DESCRIPTION	MATERIAL	FINISH
4	XX	M2.5 SCREW	STEEL	ZINC PLATED
3	XX	SPRING COIL	BRONZE	TIN PLATED
2	XX	BLOCK	BRASS	NICKEL PLATED
1	1	TERMINAL STRIP HOUSING	NYLON (UL 94 V-0)	SEE TABLE

Total Pitch Tolerances in mm										Nominal dimension range in mm										⊥	≡	—	//										
over	over	over	over	over	over	over	over	over	over	over	over	over	over	over	over	over	over	over	over	over	over	over	over	over	over	over	over	over	over	over	0	100	over 150
0	30	53	70	90	115	150	200	250	300	0	30	53	70	90	115	150	200	250	300	0	10	all	0	100	over 150	0	100	over 150					
to	to	to	to	to	to	to	to	to	to	to	to	to	to	to	to	to	to	to	to	to	to	to	to	to	to	to	to	to	to	to	to	to	
±0.18	±0.20	±0.25	±0.30	±0.35	±0.44	±0.55	±0.70	±0.75	±0.20	±0.25	±0.30	±0.35	±0.44	±0.55	±0.70	±0.80	±0.90	0.2	0.3	0.3	0.2	0.3	0.5										

THIS DRAWING CONTAINS INFORMATION THAT IS PROPRIETARY TO MOLEX ELECTRONIC TECHNOLOGIES, LLC AND SHOULD NOT BE USED WITHOUT WRITTEN PERMISSION

FUNCTIONAL SYMBOLS: FA=0, FC=0, FP=0

DIMENSION UNITS: MM/INCH, SCALE: 4:1

GENERAL TOLERANCES (UNLESS SPECIFIED):

PLACES	MM	INCH
4 PLACES	± .15	± .006
3 PLACES	± .10	± .004
2 PLACES	± .075	± .003
1 PLACE	± .05	± .002
0 PLACES	± .025	± .001

ANGULAR TOL: ± .1

DRAFT WHERE APPLICABLE MUST REMAIN WITHIN DIMENSIONS

THIRD ANGLE PROJECTION

DRAWING: C-SIZE, SERIES: 39761

CURRENT REV DESC: ADDED PN 397611010

EC NO: 750471
 DRWN: ABENJAMINLW
 CHK'D: DACHAMMER
 APPR: JFMURPHY

INITIAL REVISION:
 DRWN: RSTONE
 APPR: BRUPERT

DATE: 2023/05/22

DATE: 2016/05/10

DATE: 2016/07/15

molex

TERMINAL STRIP
 5.00MM (.197) PITCH
 22 TO 14 AWG

PRODUCT CUSTOMER DRAWING

DOCUMENT NUMBER: SD-39761-002
 DOC TYPE: PSD
 DOC PART: 001
 REVISION: A3

MATERIAL NUMBER: SEE CHART
 CUSTOMER: GENERAL MARKET
 SHEET NUMBER: 1 OF 1