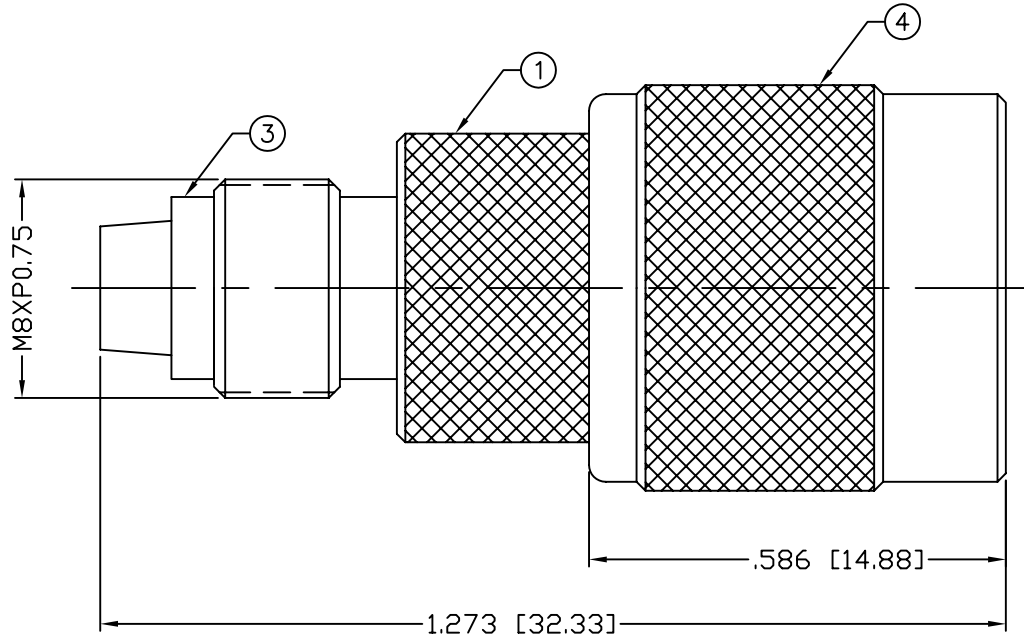


THIS DRAWING CONTAINS INFORMATION PROPRIETARY TO RF INDUSTRIES.
 ANY UNAUTHORIZED USE OF THIS DRAWING IS EXPRESSLY PROHIBITED
 WITHOUT WRITTEN PERMISSION FROM RF INDUSTRIES.
 ANY VIOLATION IS PUNISHABLE UNDER U.S. COPYRIGHT LAWS.

ALL DIMENSIONS ARE REFERENCE ONLY

PART NO.		RFE-6155		
REV	DESCRIPTION	DWN	DATE	APPROVED
-	ENGINEERING RELEASE	CZS	04/06/09	JDMc



SPECIFICATIONS:

IMPEDANCE: 50 Ohms
 FREQUENCY RANGE: 0-2 GHz
 WORKING VOLTAGE: 335 Vrms
 INSULATION RESISTANCE: 5k M ohms min.
 TEMPERATURE RANGE: -65°C TO +85°C

14						
13						
12						
11						
10						
9						
8	RETAINING RING	1	BRASS	NICKEL, 100μ"		
7	RING	1	DELRIN	---		
6	WASHER	1	BRASS	NICKEL, 100μ"		
5	GASKET	1	SILICONE	---		
4	SHELL	1	BRASS	NICKEL, 100μ"		
3	INSULATOR	1	PTFE	---		
2	CONTACT/PIN	1	BRASS	GOLD, 3μ"		
1	BODY	1	BRASS	NICKEL, 100μ"		
#	DESCRIPTION	QTY	MATERIAL	FINISH	APPROVALS	DATE

000498

**RoHS
COMPLIANT**

DIMENSIONS ARE IN INCHES
 AND [MILLIMETERS]
 UNLESS OTHERWISE NOTED
 TOLERANCES ARE:
 DECIMALS DIAMETER

DRAWN
C. ZUNIGA
CHECKED

04/06/09

ORJ DRAWN
C. ZUNIGA

04/06/09

RF connectors
 DIVISION OF RF INDUSTRIES, LTD.

7610 MIRAMAR RD
 SAN DIEGO, CA 92126
 (858) 549-6340
 (858) 549-6345 FAX

FME JACK TO TNC PLUG

ADAPTER

SIZE A	CABLE GROUP N/A	DWG NO. RFE-6155	REV -
SCALE: NTS		CAD FILE OUTLINE	SHEET 1 OF 1