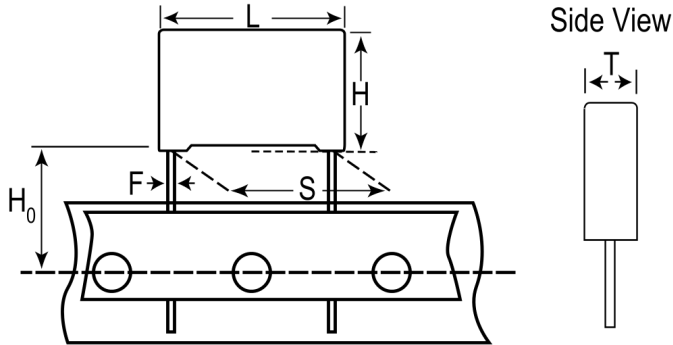


## R71XN4150GYH0M

Aliases (71XN4150GYH0M)

R71H, Film, Metallized Polypropylene, Automotive Grade, 1.5 uF, 20%, 450 VDC, 85°C, Lead Spacing = 22.5mm



General Information	
Series	R71H
Dielectric	Metallized Polypropylene
Style	Radial
Features	PFC and Pulse
RoHS	Yes
Lead	Wire Leads
Qualifications	AEC-Q200
AEC-Q200	Yes
Component Weight	3.6 g
Miscellaneous	Above 105C DC And AC Voltage Derating Is 4%/C.

Specifications	
Capacitance	1.5 uF
Capacitance Tolerance	20%
Voltage AC	160 VAC
Voltage DC	450 VDC
Temperature Range	-55/+125°C
Rated Temperature	85°C
Dissipation Factor	0.1% 25C
Insulation Resistance	20 GOhms
Max dV/dt	70 V/us
Resistance	33.95 mOhms (100kHz)
Ripple Current	3.789 Amps (100kHz 85C), 105 Amps (Peak)
Inductance	16 nH

Click [here](#) for the 3D model.

Dimensions	
L	26.5mm +0.3/-0.5mm
H	16mm +0.1/-0.5mm
T	7mm +0.2/-0.5mm
S	22.5mm +/-0.4mm
H0	18.5mm +/-0.5mm
F	0.8mm +/-0.05mm

Packaging Specifications	
Packaging	T&R
Packaging Quantity	250

Statements of suitability for certain applications are based on our knowledge of typical operating conditions for such applications, but are not intended to constitute - and we specifically disclaim - any warranty concerning suitability for a specific customer application or use. This information is intended for use only by customers who have the requisite experience and capability to determine the correct products for their application. Any technical advice inferred from this information or otherwise provided by us with reference to the use of our products is given gratis, and we assume no obligation or liability for the advice given or results obtained.