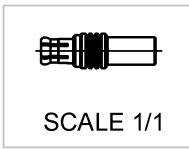
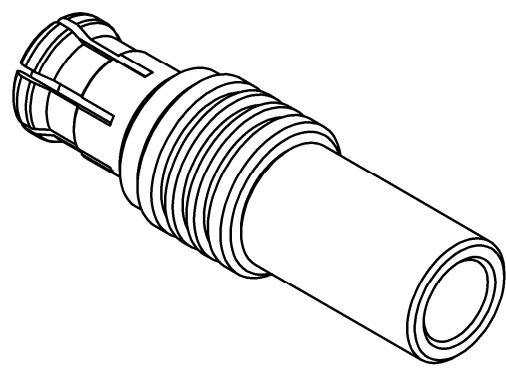
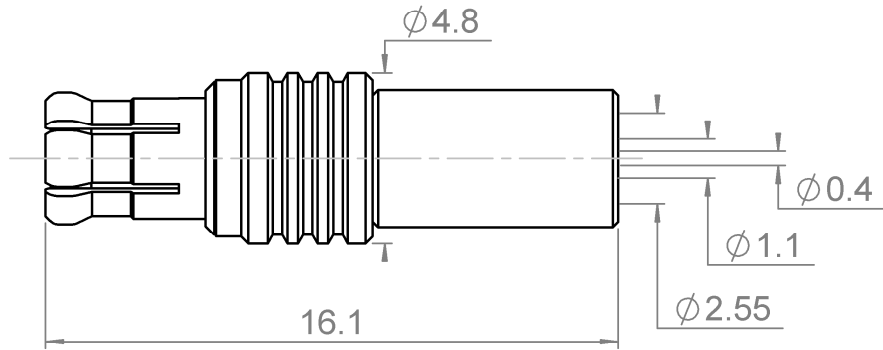
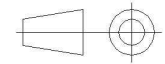


PAGE 1/2	ISSUE 09-02-15A	SERIES MCX	PART NUMBER R113081097
----------	-----------------	------------	------------------------



All dimensions are in mm.



COMPONENTS	MATERIALS	PLATING (μm)
Body	NON MAGNETIC BRONZE	BBR
Center contact	NON MAGNETIC BRONZE	GOLD OVER COPPER
Outer contact	BERYLLIUM COPPER	BBR
Insulator	PTFE	
Gasket		
Others parts	NON MAGNETIC BRONZE	BBR
-	-	-
-	-	-

PAGE 2/2	ISSUE 09-02-15A	SERIES MCX	PART NUMBER R113081097
----------	-----------------	------------	------------------------

PACKAGING

Standard	Unit	Other
100	Contact us	Contact us

ELECTRICAL CHARACTERISTICS

Impedance	50	Ω
Frequency	0-6	GHz
VSWR	1.1 + 0.0800	x F(GHz) Maxi
Insertion loss	0.25	√F(GHz) dB Maxi
RF leakage	- (NA)	- F(GHz) dB Maxi
Voltage rating	170	Veff Maxi
Dielectric withstanding voltage	500	Veff mini
Insulation resistance	1000	MΩ mini

MECHANICAL CHARACTERISTICS

Center contact retention		
Axial force – Mating End	NA	N mini
Axial force – Opposite end	NA	N mini
Torque	NA	N.cm mini
Recommended torque		
Mating	NA	N.cm
Panel nut	NA	N.cm
Clamp nut	NA	N.cm
A/F clamp nut	0.0000	mm
Mating life	500	Cycles mini
Weight	0.7380	g

ENVIRONMENTAL

Operating temperature	-55/+125	°C
Hermetic seal	NA	Atm.cm3/s
Panel leakage	NA	

SPECIFICATION

CABLE ASSEMBLY

Stripping	a	b	c	d	e	f
mm	2.5	5.5	9.5	0	7	0

Assembly instruction: **Crimp 02**

Recommended cable(s)

111258 FTX

Characteristics indicated on this data sheet are those that can be achieved with the highest performance cable. Intrinsic limitations of the cable may diminish the performance of the assembly

Cable retention

- pull off	32	N mini
- torque	NA	N.cm

TOOLING

Part Number	Description	Hexagon
R282235003	CRIMPING DIES M22520/5-03	3.25
R282271000	CRIMPING TOOL	3.25 - SQUARE 0.72
R282293000	CRIMPING TOOL M22520/5-01	

OTHER CHARACTERISTICS

Distortion of the magnetic field :
<= 0.5 ppm@ 10 mm @ Bo = 1.5 Tesla