

THIS DRAWING IS THE PROPERTY OF ANALOG DEVICES INC. IT IS NOT TO BE REPRODUCED OR COPIED, IN WHOLE OR IN PART, OR USED IN FURNISHING INFORMATION TO OTHERS, OR FOR ANY OTHER PURPOSE DETRIMENTAL TO THE INTERESTS OF ANALOG DEVICES. THE EQUIPMENT SHOWN HEREON MAY BE PROTECTED BY PATENTS OWNED OR CONTROLLED BY ANALOG DEVICES.

REVISIONS			
REV	DESCRIPTION	DATE	APPROVED

SDP-K1 SCHEMATIC (REV E)

PAGE 2 - USB

PAGE 3 - MCU

PAGE 4 - MCU MISCELLANEOUS SIGNALS

PAGE 5 - PROGRAMMING PROCESSOR

PAGE 6 - POWER ON RESET

PAGE 7 - POWER CIRCUITRY

PAGE 8 - ARDUINO UNO REV3 HEADER

PAGE 9 - SDP CONNECTOR

PAGE 10 - SDRAM LEVEL TRANSLATORS

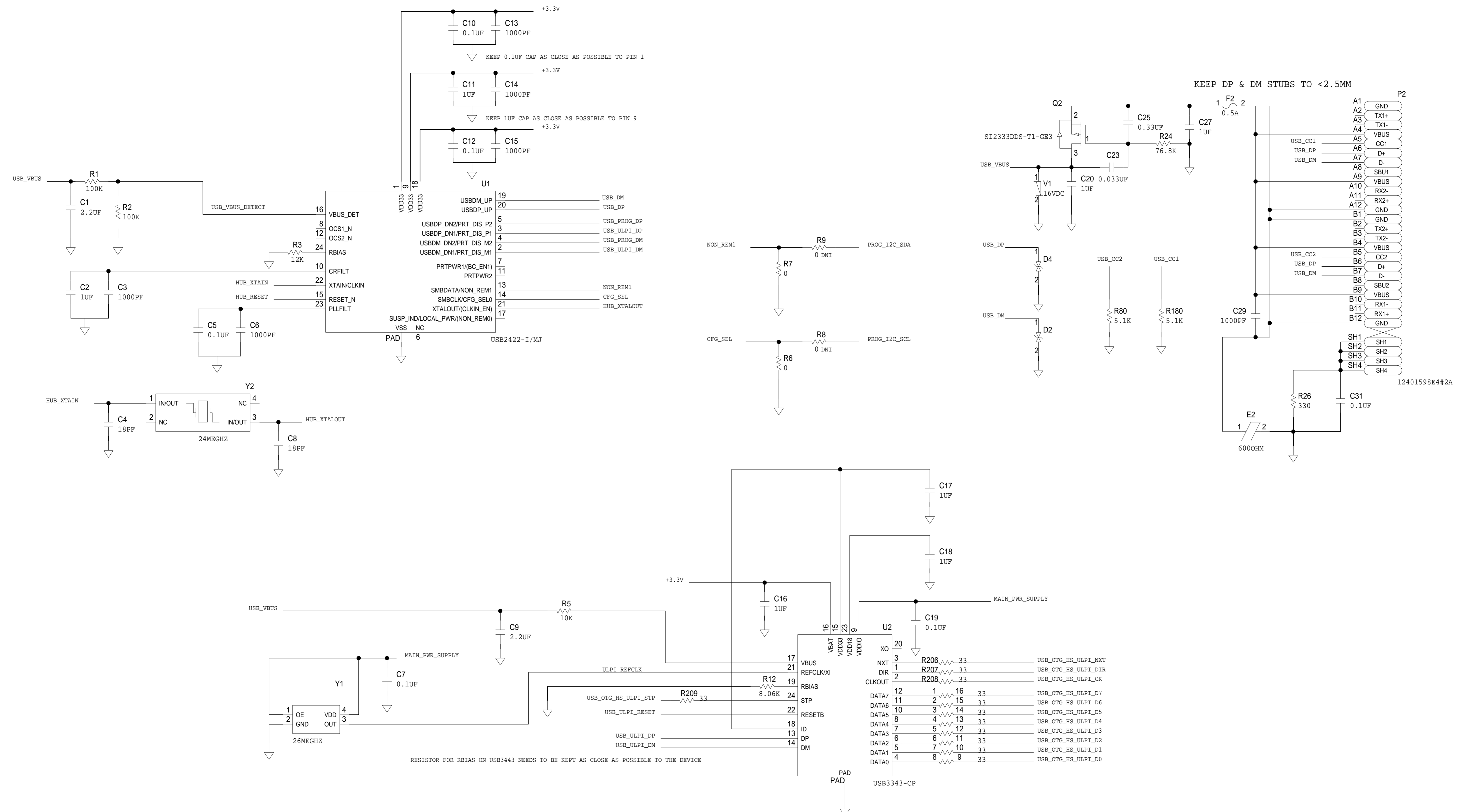
PAGE 11 - SDRAM

P.O SPEC.	BK/BD SPEC.	SOCKET OEM	OEM PART#	HANDLER

TEMPLATE ENGINEER -	DATE	SCHEMATIC		
HARDWARE SERVICES -				
HARDWARE SYSTEMS -		HW TYPE : Customer Evaluation		
TEST ENGINEER -		Product(s): N/A		
COMPONENT ENGINEER -		: N/A		
TEST PROCESS -		PACKAGE : N/A-lead N/A N/A-family		
HARDWARE RELEASE -		: Pitch-pitch StyleVendor Style		
DESIGNER -		DRAWING NO.		REV.
PTD ENGINEER Sean Doyle		02_049259		E
CHECKER -		UNLESS OTHERWISE SPECIFIED DIMENSIONS ARE IN INCHES		
		TOLERANCES		
		DECIMALS	FRACTIONS	ANGLES
		X.XX +0.010	+1/32	+2
		X.XXX +0.005		
		SIZE	SCALE	CODE ID NO.
		D	1:1	CodeID
			SHEET 1	OF 11

USB

REVISIONS			
REV	DESCRIPTION	DATE	APPROVED

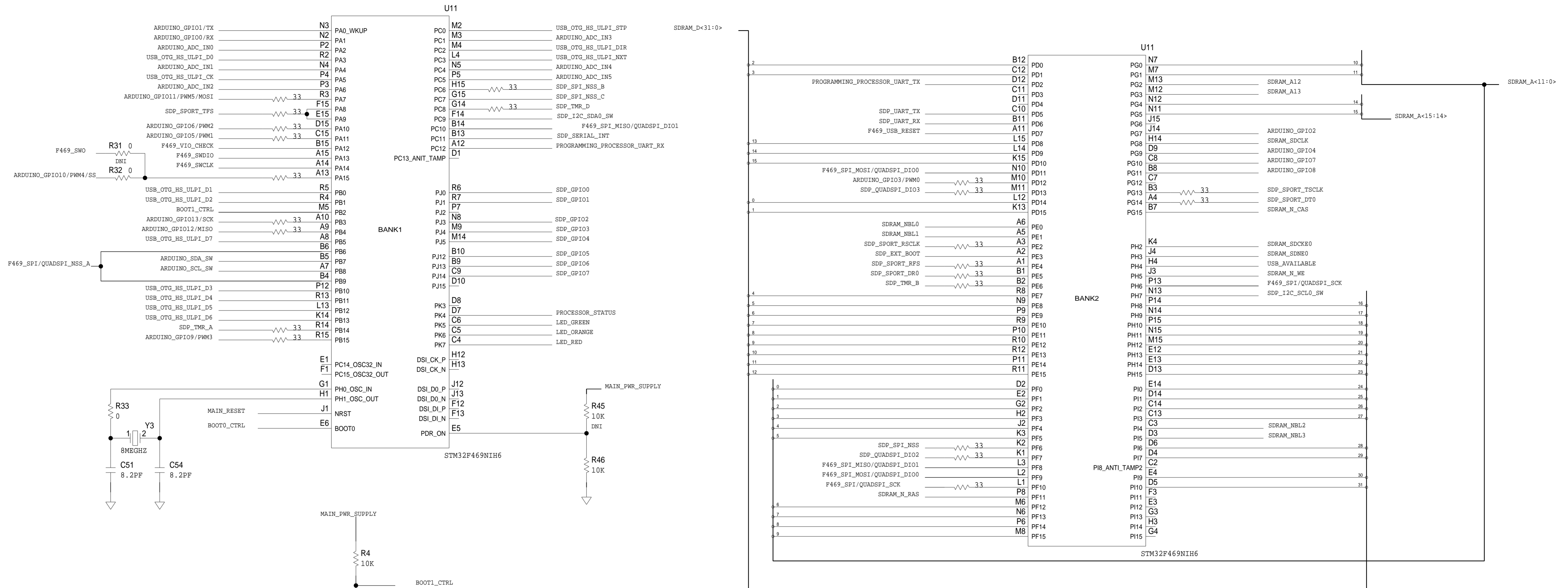


	SCHEMATIC		
	HW TYPE : Customer Evaluation		
	Product(s) : N/A		
	: N/A		
DESIGN VIEW <DESIGN_VIEW>	DRAWING NO. 02_049259	REV E	
PTD ENGINEER Sean Doyle	SIZE D	SCALE 1:1	SHEET 2 OF 11

THIS DRAWING IS THE PROPERTY OF ANALOG DEVICES INC. IT IS NOT TO BE REPRODUCED OR COPIED, IN WHOLE OR IN PART, OR USED IN FURNISHING INFORMATION TO OTHERS, OR FOR ANY OTHER PURPOSE DETRIMENTAL TO THE INTERESTS OF ANALOG DEVICES. THE EQUIPMENT SHOWN HEREIN MAY BE PROTECTED BY PATENTS OWNED OR CONTROLLED BY ANALOG DEVICES.

REVISIONS			
REV	DESCRIPTION	DATE	APPROVED

MCU



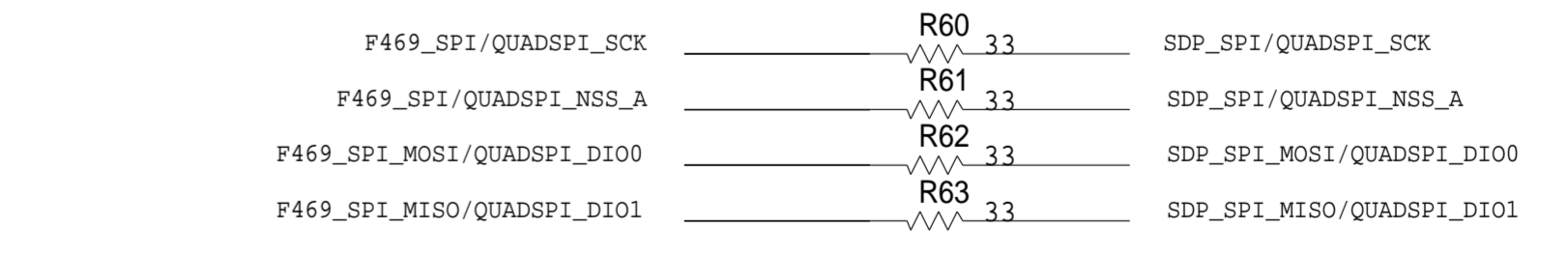
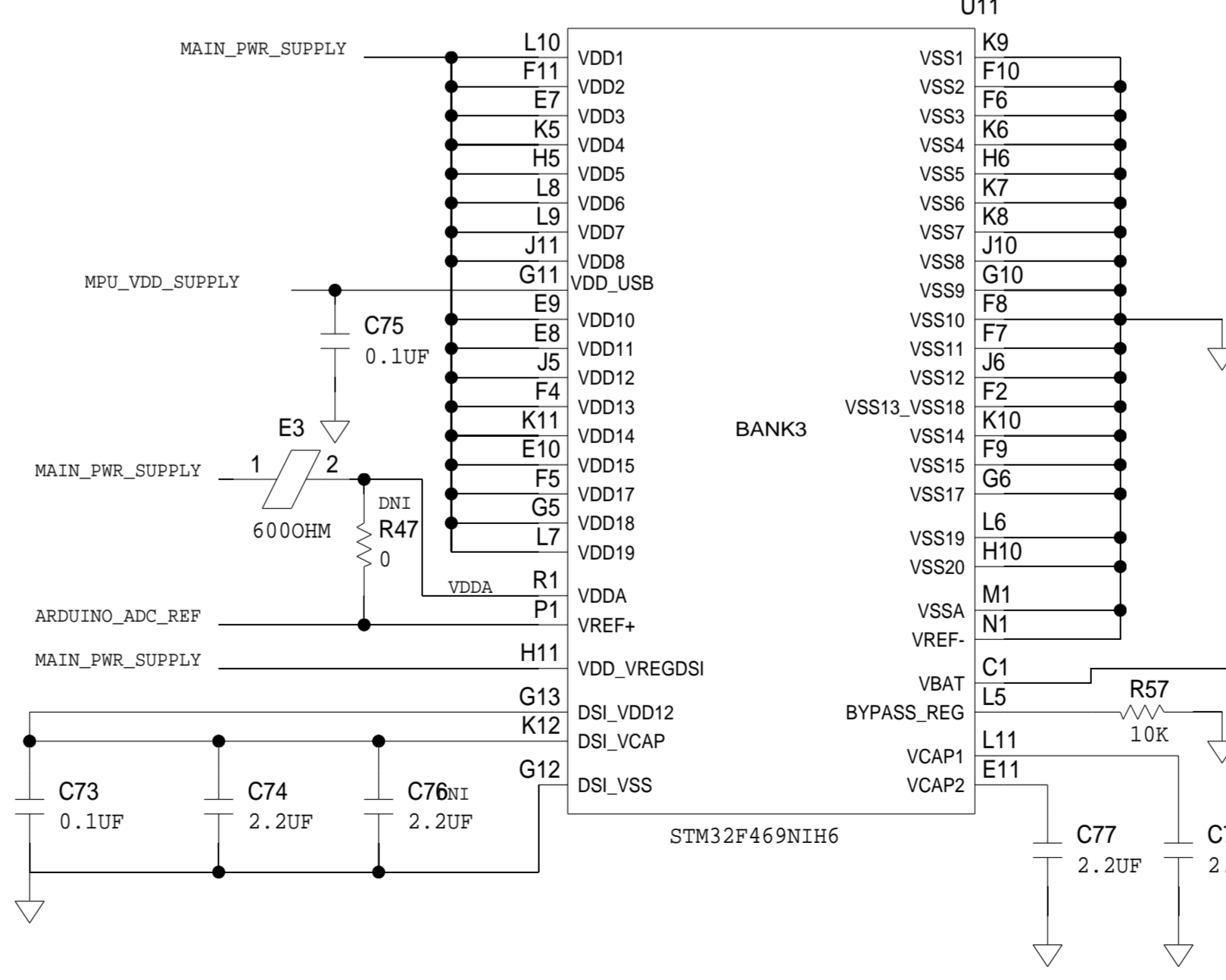
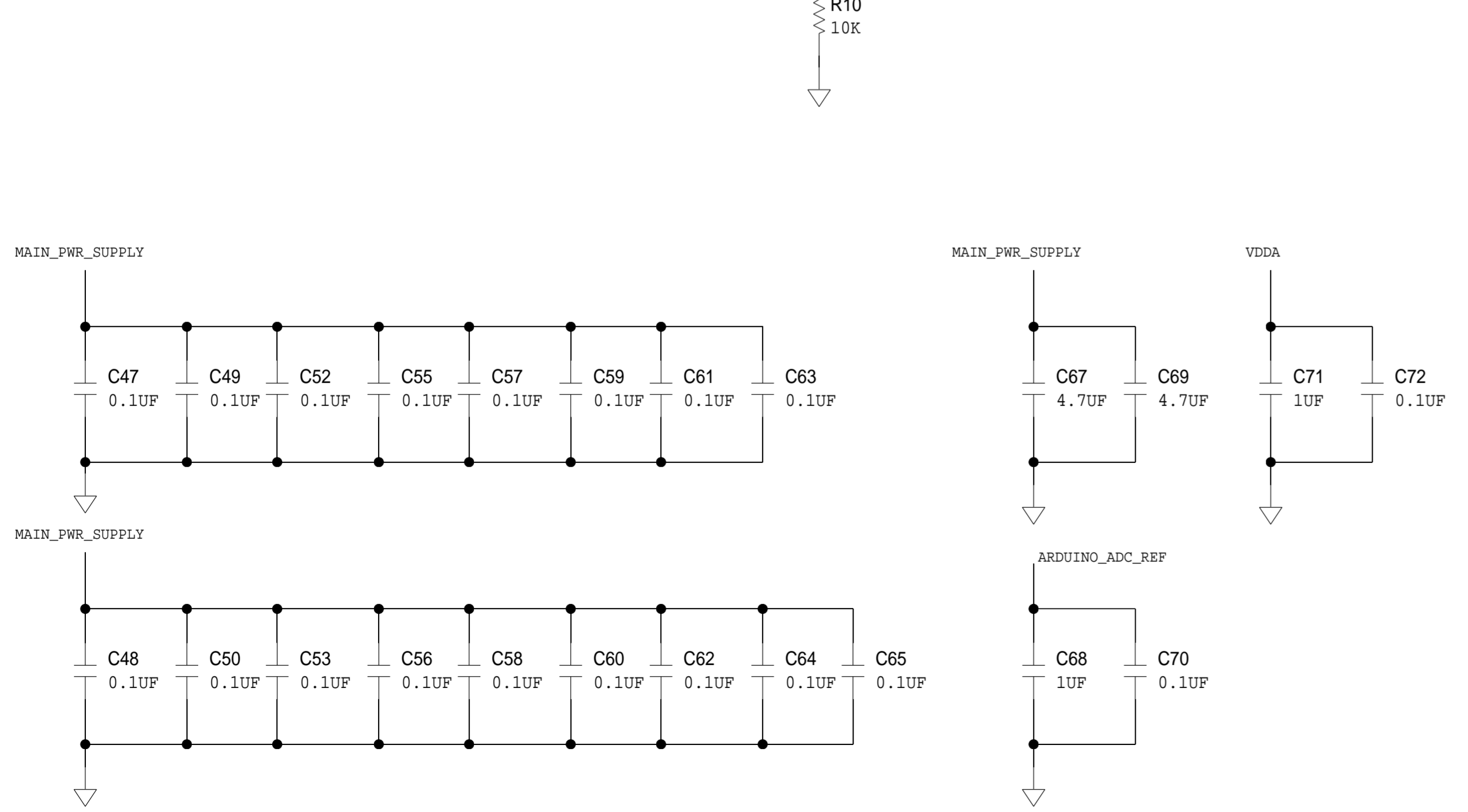
NOTE: SOME OF THE SPI & QUADSPI SIGNALS ON THE SDP CONNECTOR ON PAGE 9 ARE ROUTED TO MULTIPLE PINS ON THE STM32F469. TAKE CARE NOT TO ENABLE SPI AND QUADSPI ON THE SDP CONNECTOR SIMULTANEOUSLY.

```

SDP_SPI_NSS_A = STM32F469 PB9 (F469_SPI/QUADSPI_NSS_A)
SDP_SPI_MOSI = STM32F469 PF9 (F469_SPI_MOSI/QUADSPI_DIO0)
SDP_SPI_MISO = STM32F469 PF8 (F469_SPI_MISO/QUADSPI_DIO1)
SDP_SPI_SCK = STM32F469 PH6 (F469_SPI/QUADSPI_SCK)

SDP_QUADSPI_NSS_A = STM32F469 PB6 (F469_SPI/QUADSPI_NSS_A)
SDP_QUADSPI_DIO0 = STM32F469 PD11 (F469_SPI_MOSI/QUADSPI_DIO0)
SDP_QUADSPI_DIO1 = STM32F469 PC10 (F469_SPI_MISO/QUADSPI_DIO1)
SDP_QUADSPI_SCK = STM32F469 PF10 (F469_SPI/QUADSPI_SCK)

```

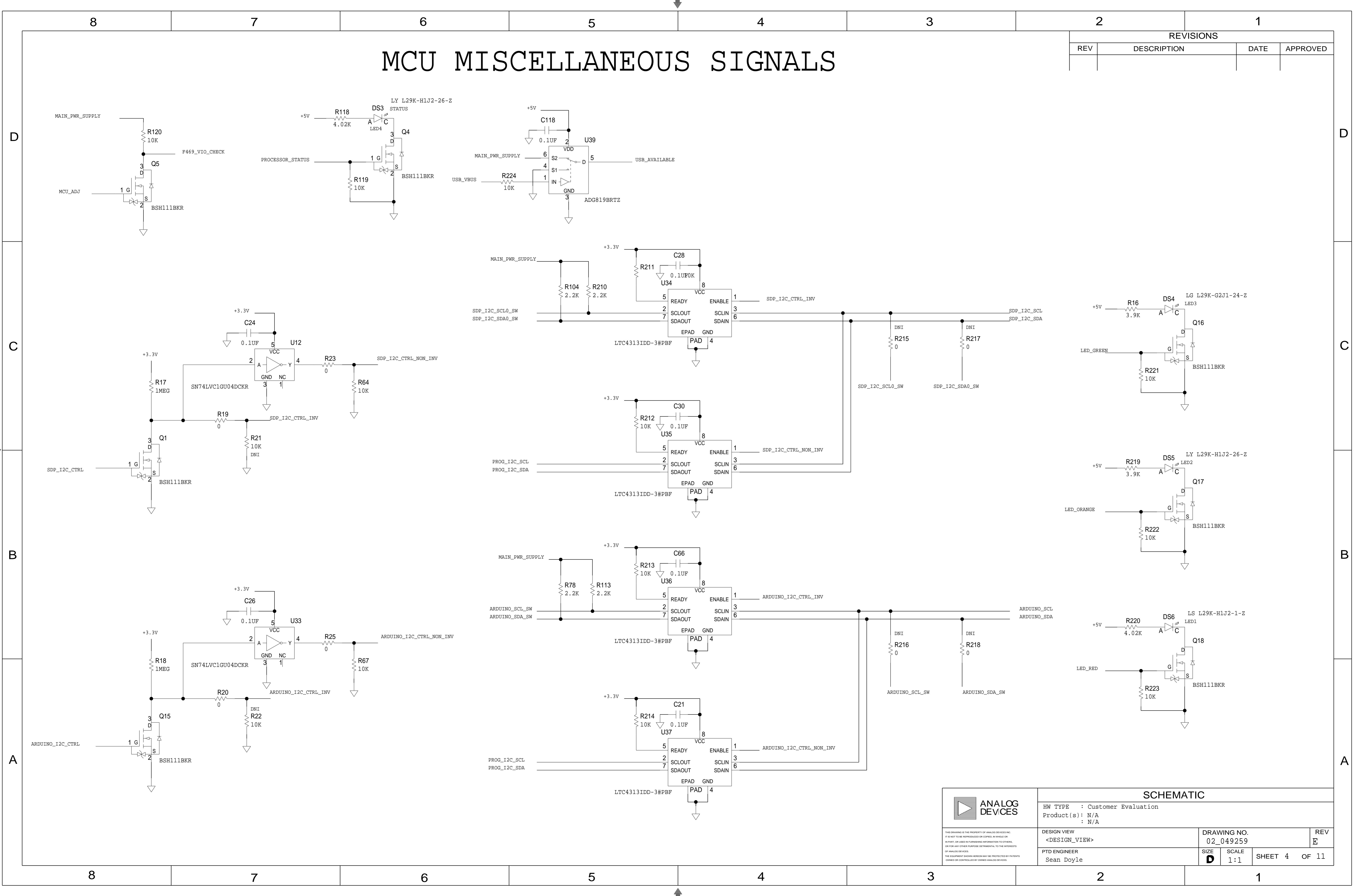


SCHEMATIC			
ANALOG DEVICES		HW TYPE : Customer Evaluation Product(s) : N/A	
DESIGN VIEW <DESIGN_VIEW>		DRAWING NO. 02_049259	REV E
PTD ENGINEER Sean Doyle		SIZE D	SCALE 1:1
		SHEET 3	OF 11

THIS DRAWING IS THE PROPERTY OF ANALOG DEVICES INC. IT IS NOT TO BE REPRODUCED OR COPIED, IN WHOLE OR IN PART, OR USED IN ANY MANNER WITHOUT THE WRITTEN PERMISSION OF ANALOG DEVICES. THE EQUIPMENT SHOWN HEREIN MAY BE PROTECTED BY PATENTS OWNED OR CONTROLLED BY ANALOG DEVICES.

MCU MISCELLANEOUS SIGNALS

REVISIONS			
REV	DESCRIPTION	DATE	APPROVED

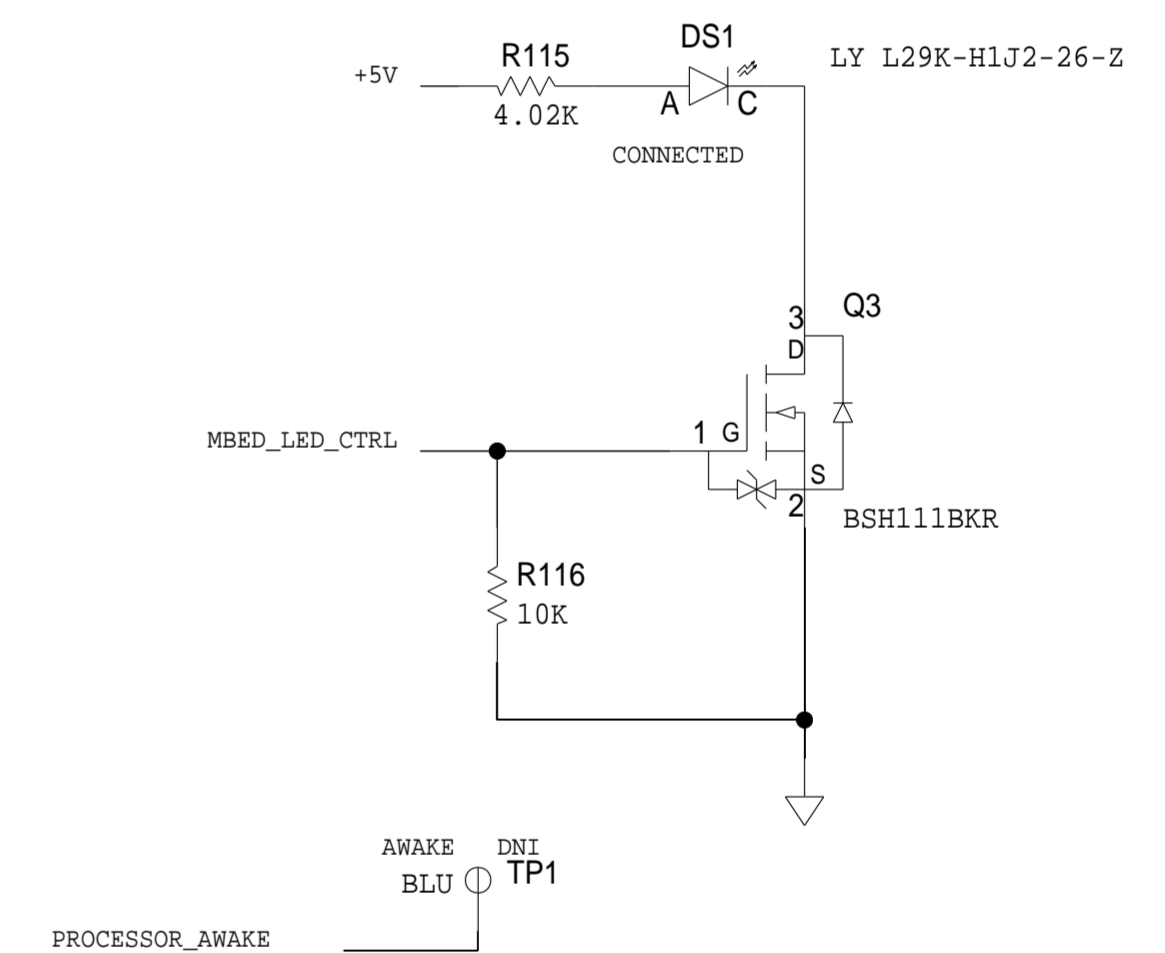
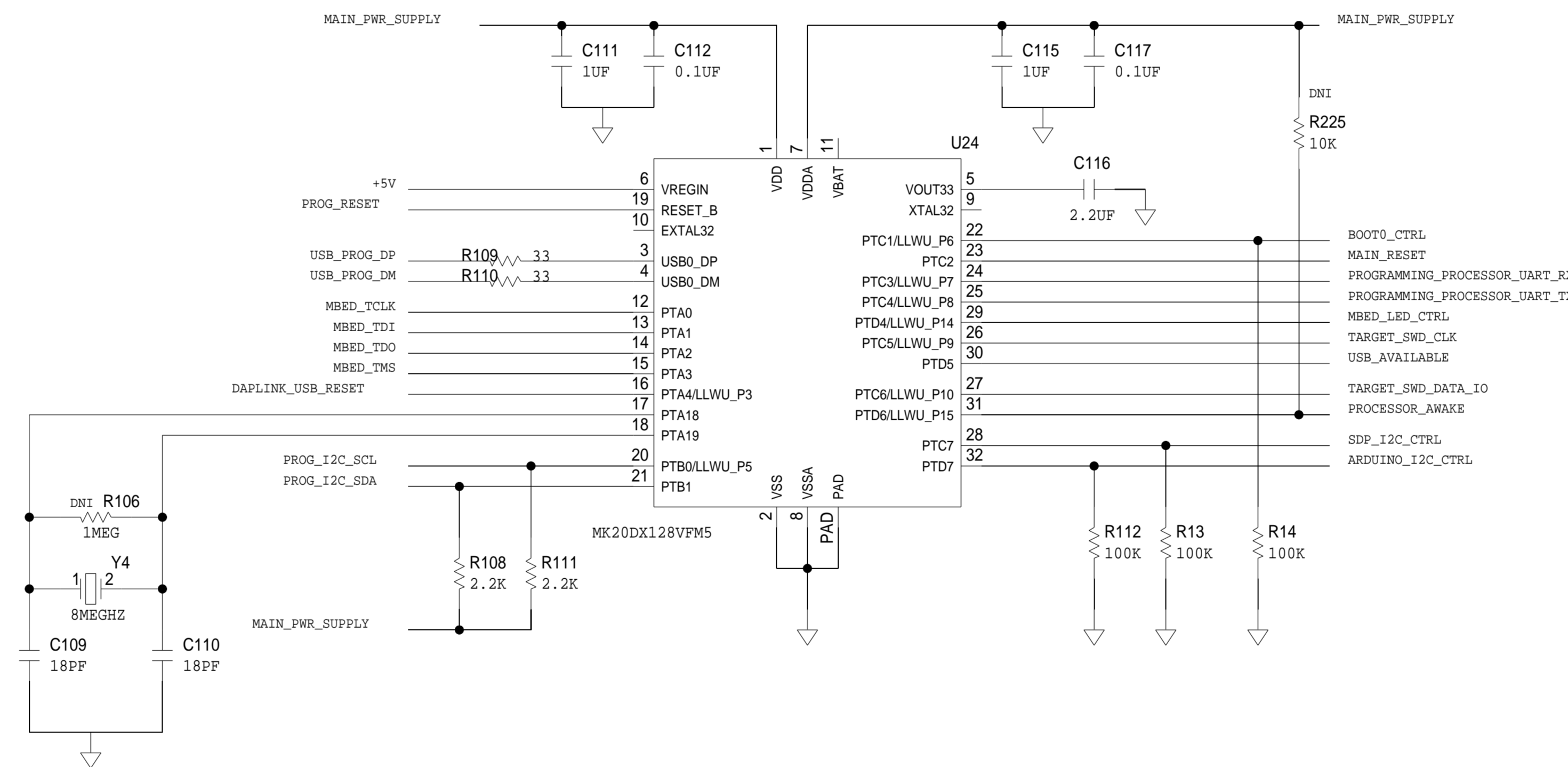
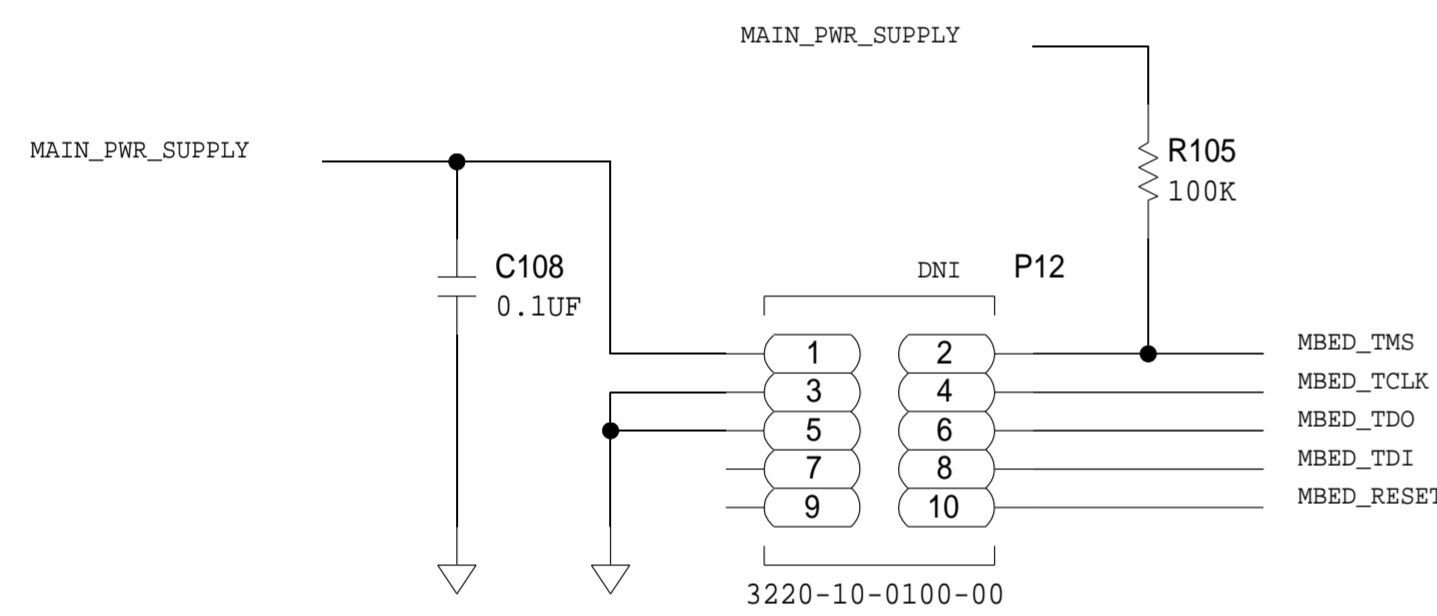
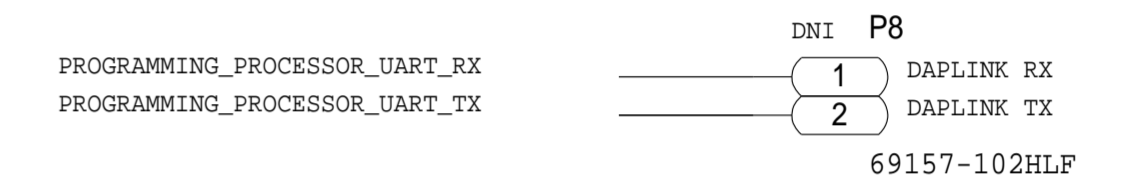
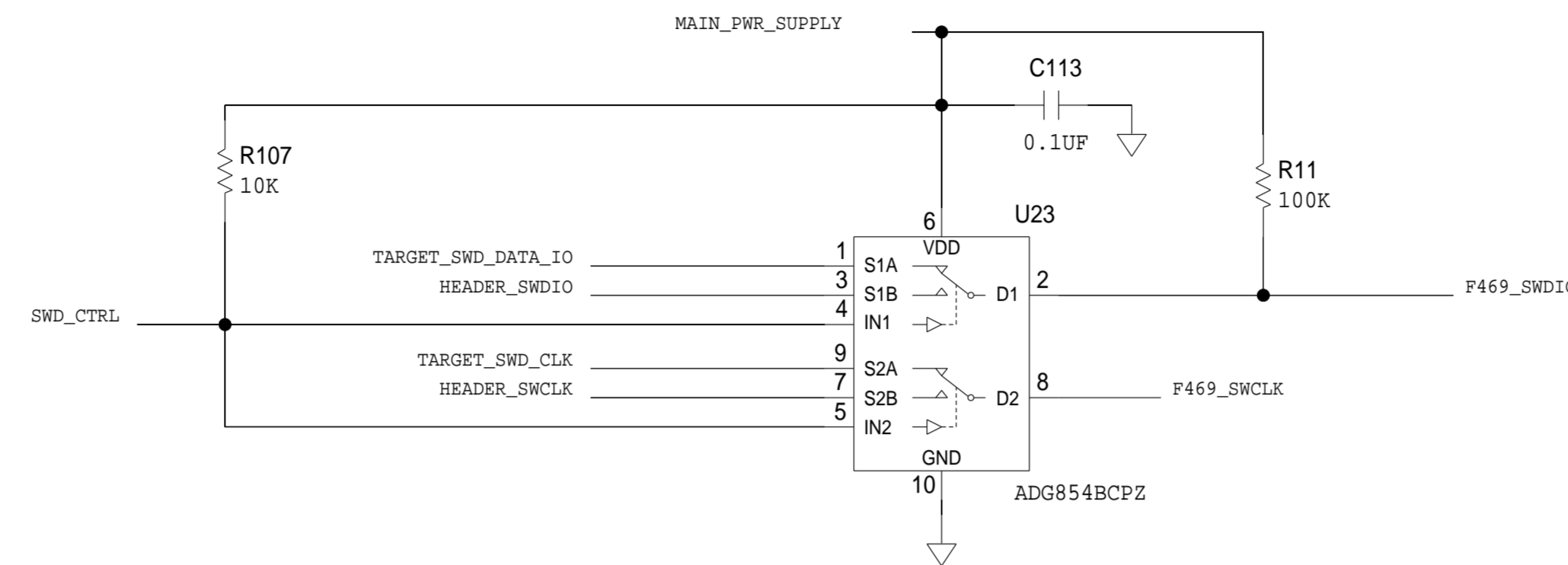
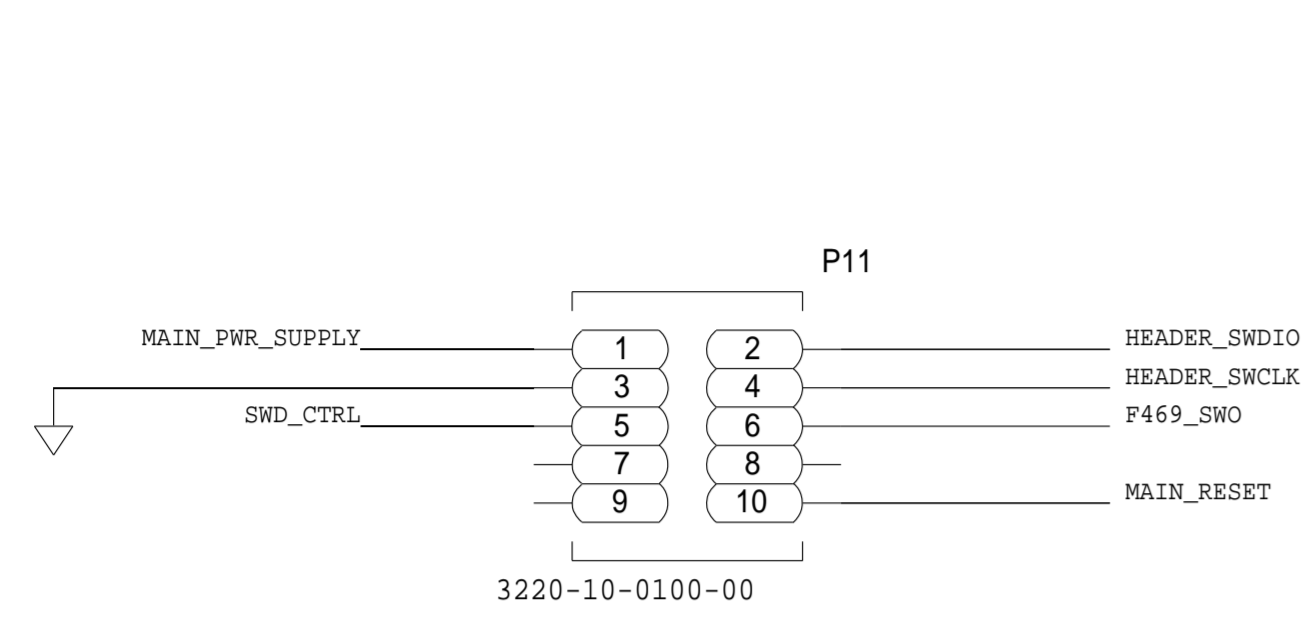


<p>ANALOG DEVICES</p> <p><small>THIS DRAWING IS THE PROPERTY OF ANALOG DEVICES INC. IT IS NOT TO BE REPRODUCED OR COPIED, IN WHOLE OR IN PART, OR USED IN ANY MANNER WITHOUT THE WRITTEN PERMISSION OF ANALOG DEVICES. THE EQUIPMENT SHOWN HEREIN MAY BE PROTECTED BY PATENTS OWNED OR CONTROLLED BY ANALOG DEVICES.</small></p>	SCHEMATIC		
	HW TYPE : Customer Evaluation Product(s) : N/A : N/A		
	DESIGN VIEW <DESIGN_VIEW>	DRAWING NO. 02_049259	REV E
	PTD ENGINEER Sean Doyle	SIZE D	SCALE 1:1

SHEET 4 OF 11

MBED DAPLINK

REVISIONS			
REV	DESCRIPTION	DATE	APPROVED

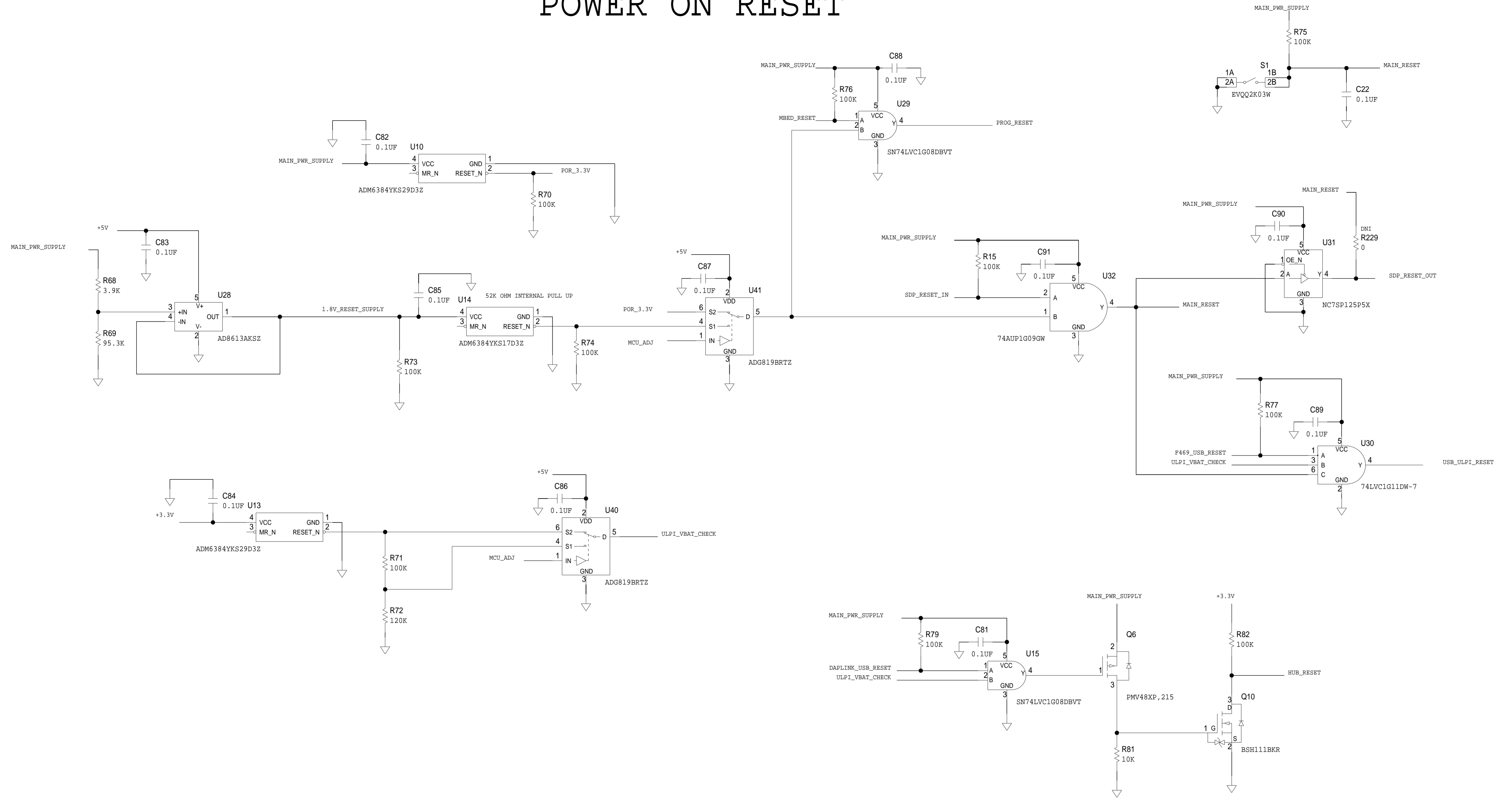


SCHEMATIC			
HW TYPE : Customer Evaluation		Product(s) : N/A	
DESIGN VIEW : <DESIGN_VIEW>		DRAWING NO. : 02_049259	
PTD ENGINEER : Sean Doyle		REV : E	
SIZE : D	SCALE : 1:1	SHEET 5 OF 11	

THIS DRAWING IS THE PROPERTY OF ANALOG DEVICES INC. IT IS NOT TO BE REPRODUCED OR COPIED, IN WHOLE OR IN PART, OR USED IN ANY MANNER WITHOUT THE WRITTEN PERMISSION OF ANALOG DEVICES. THE EQUIPMENT SHOWN HEREIN MAY BE PROTECTED BY PATENTS OWNED OR CONTROLLED BY ANALOG DEVICES.

POWER ON RESET

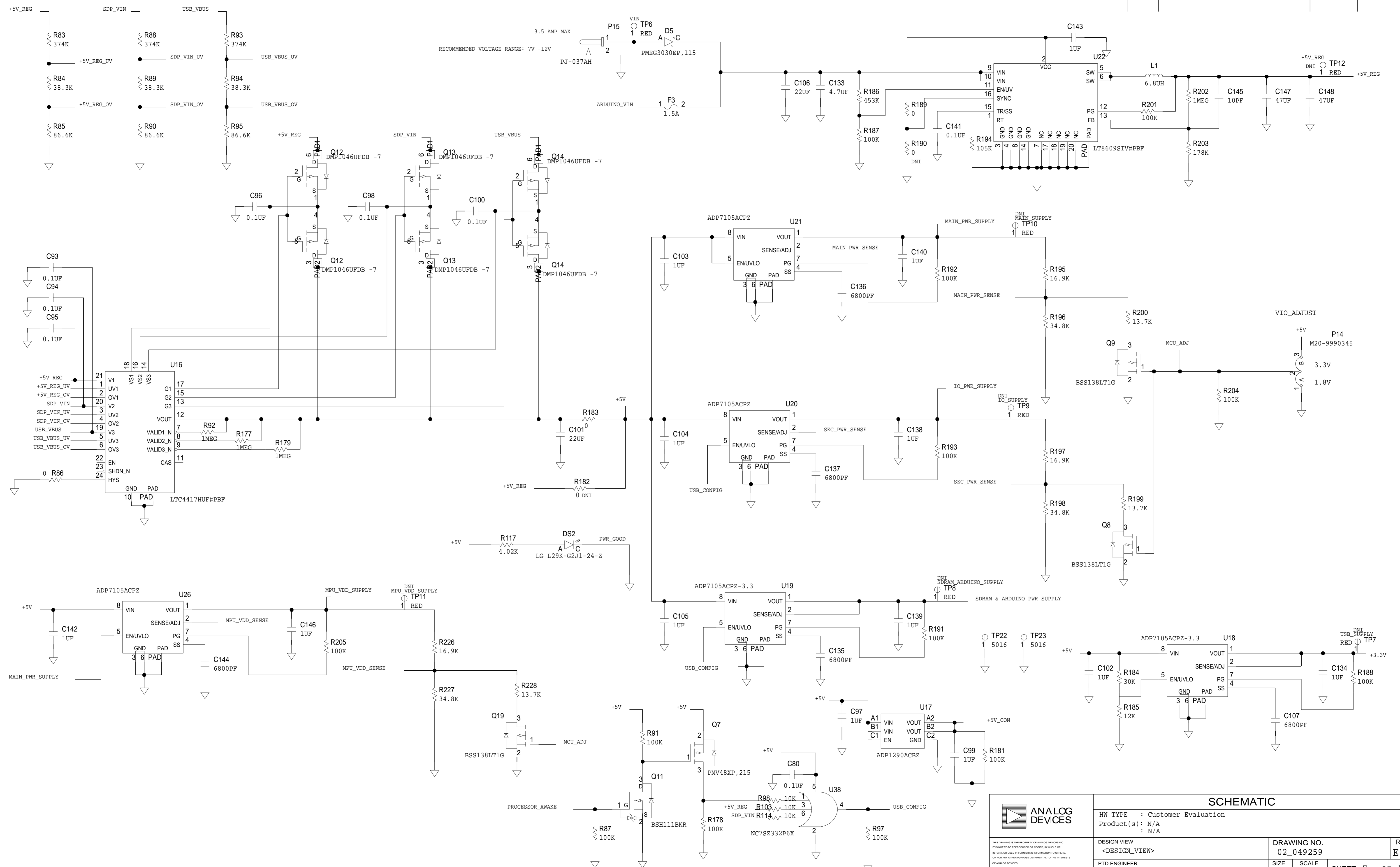
REVISIONS			
REV	DESCRIPTION	DATE	APPROVED



	SCHEMATIC		
	HW TYPE : Customer Evaluation		
	Product(s) : N/A		
	: N/A		
DESIGN VIEW	DRAWING NO.		REV
<DESIGN_VIEW>	02_049259		E
PTD ENGINEER	SIZE	SCALE	SHEET 6 OF 11
Sean Doyle	D	1:1	

POWER CIRCUITRY

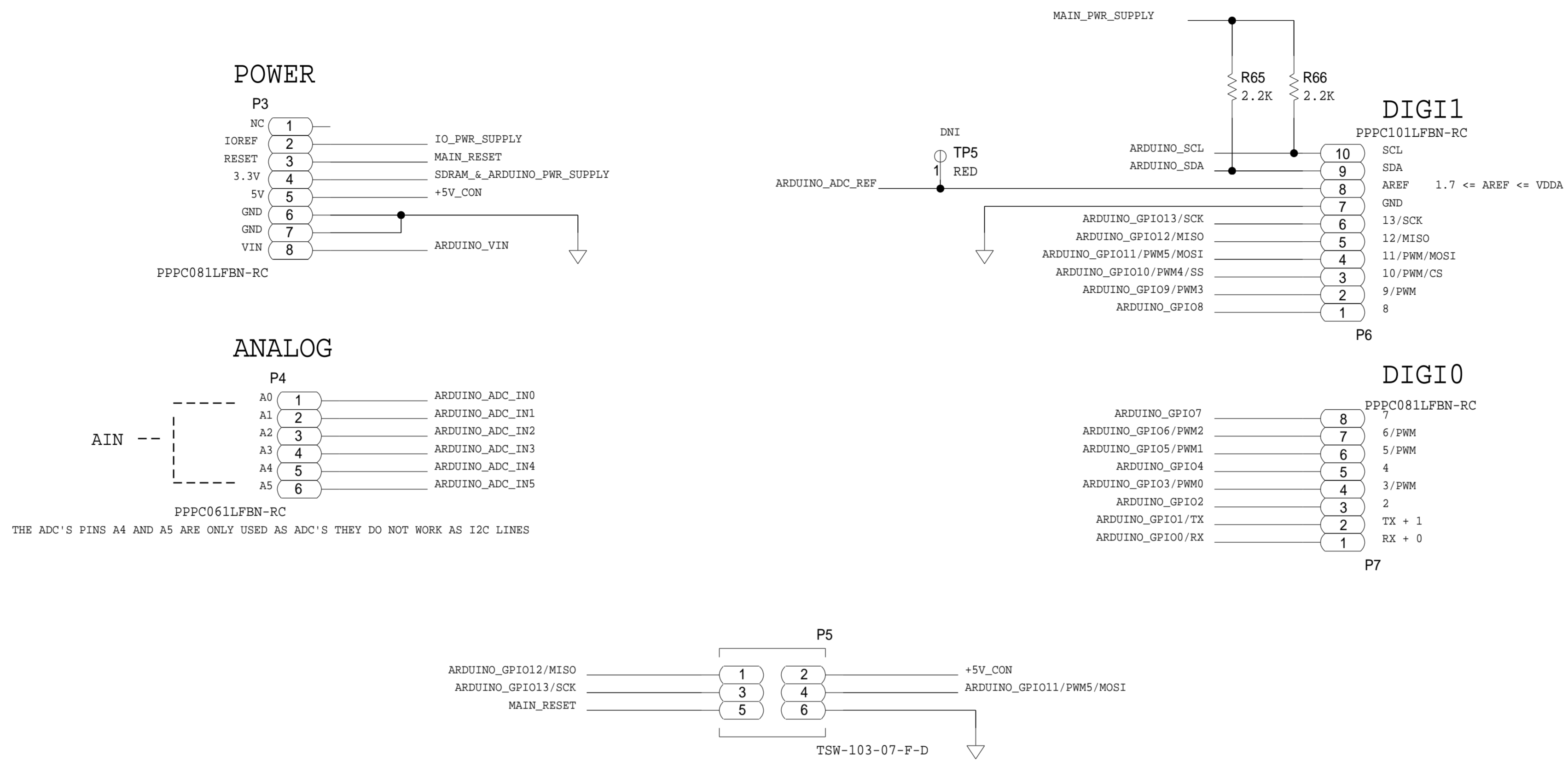
REVISIONS			
REV	DESCRIPTION	DATE	APPROVED



<p>THIS DRAWING IS THE PROPERTY OF ANALOG DEVICES INC. IT IS NOT TO BE REPRODUCED OR COPIED, IN WHOLE OR IN PART, OR USED IN ANY MANNER WITHOUT THE WRITTEN PERMISSION OF ANALOG DEVICES. THE EQUIPMENT SHOWN HEREIN MAY BE PROTECTED BY PATENTS OWNED OR CONTROLLED BY ANALOG DEVICES.</p>	SCHEMATIC		
	HW TYPE : Customer Evaluation Product(s) : N/A : N/A		
	DESIGN VIEW <DESIGN_VIEW>	DRAWING NO. 02_049259	REV E
	PTD ENGINEER Sean Doyle	SIZE D	SCALE 1:1

ARDUINO CONNECTOR

REVISIONS			
REV	DESCRIPTION	DATE	APPROVED

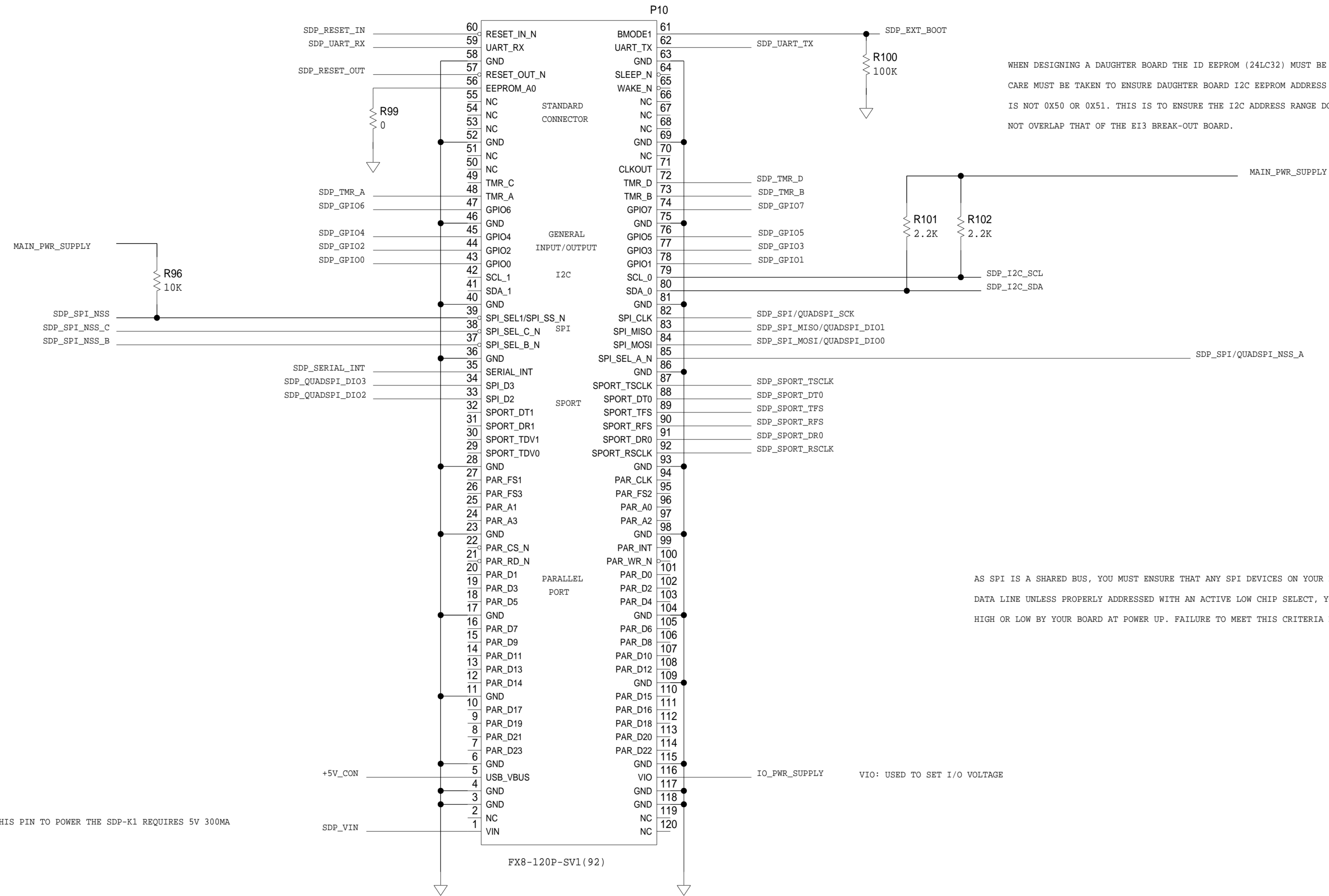


	SCHEMATIC		
	HW TYPE : Customer Evaluation Product(s) : N/A : N/A		
	DESIGN VIEW <DESIGN_VIEW>	DRAWING NO. 02_049259	REV E
PTD ENGINEER Sean Doyle	SIZE D	SCALE 1:1	SHEET 8 OF 11

SDP CONNECTOR

REVISIONS			
REV	DESCRIPTION	DATE	APPROVED

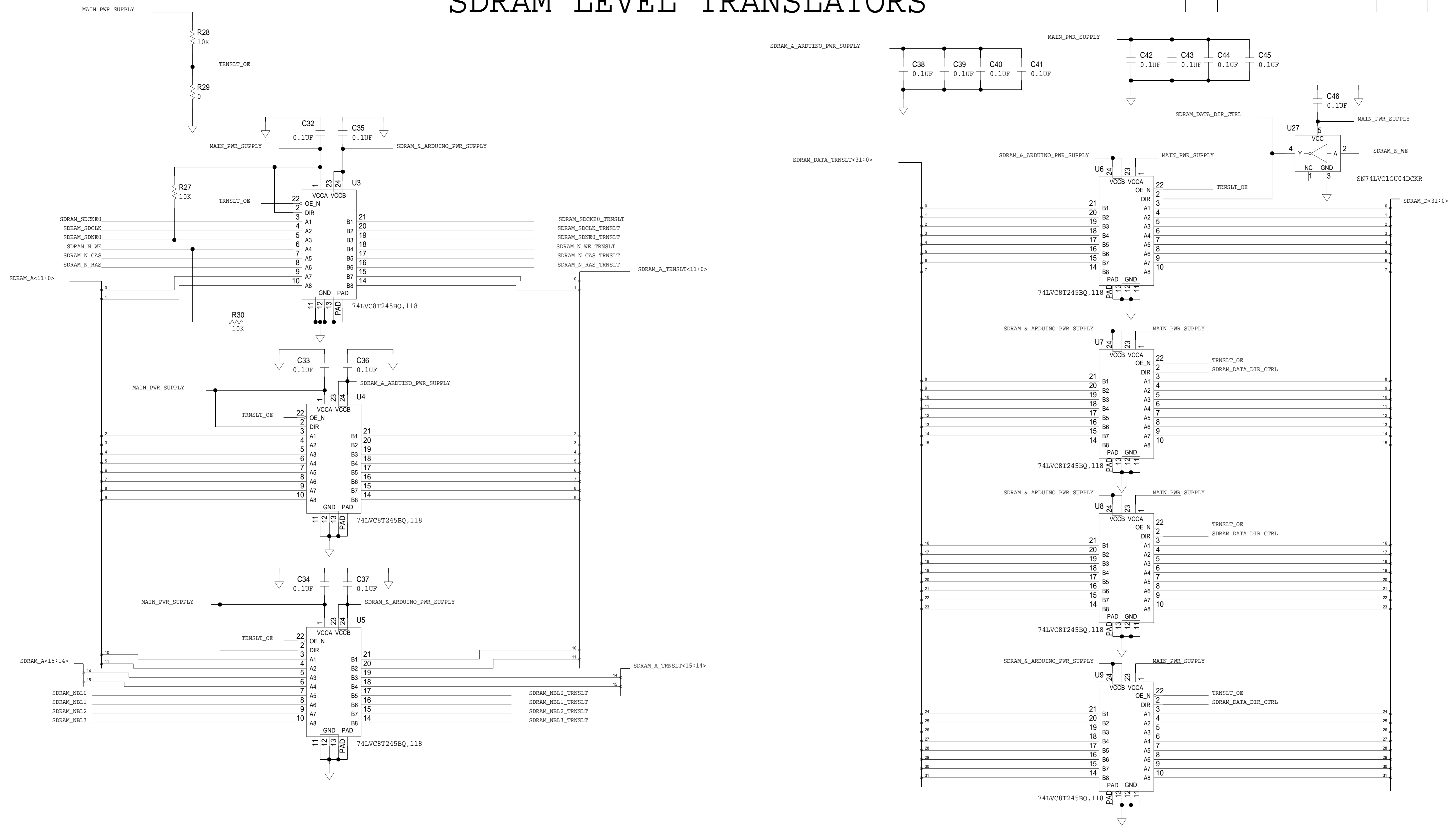
THE SDP CONNECTOR IMPLEMENTS THE E13 CONNECTOR SPECIFICATION STANDARD. THIS IS A STANDARD FOR USE ACROSS ADI AND CANNOT BE MODIFIED



<p>THIS DRAWING IS THE PROPERTY OF ANALOG DEVICES INC. IT IS NOT TO BE REPRODUCED OR COPIED IN WHOLE OR IN PART, OR USED IN FURNISHING INFORMATION TO OTHERS, OR FOR ANY OTHER PURPOSE DETRIMENTAL TO THE INTERESTS OF ANALOG DEVICES. THE EQUIPMENT SHOWN HEREIN MAY BE PROTECTED BY PATENTS OWNED OR CONTROLLED BY ANALOG DEVICES.</p>	SCHEMATIC		
	HW TYPE : Customer Evaluation Product(s) : N/A : N/A		
	DESIGN VIEW <DESIGN_VIEW>	DRAWING NO. 02_049259	REV E
	PTD ENGINEER Sean Doyle	SIZE D	SCALE 1:1
		SHEET 9 OF 11	

SDRAM LEVEL TRANSLATORS

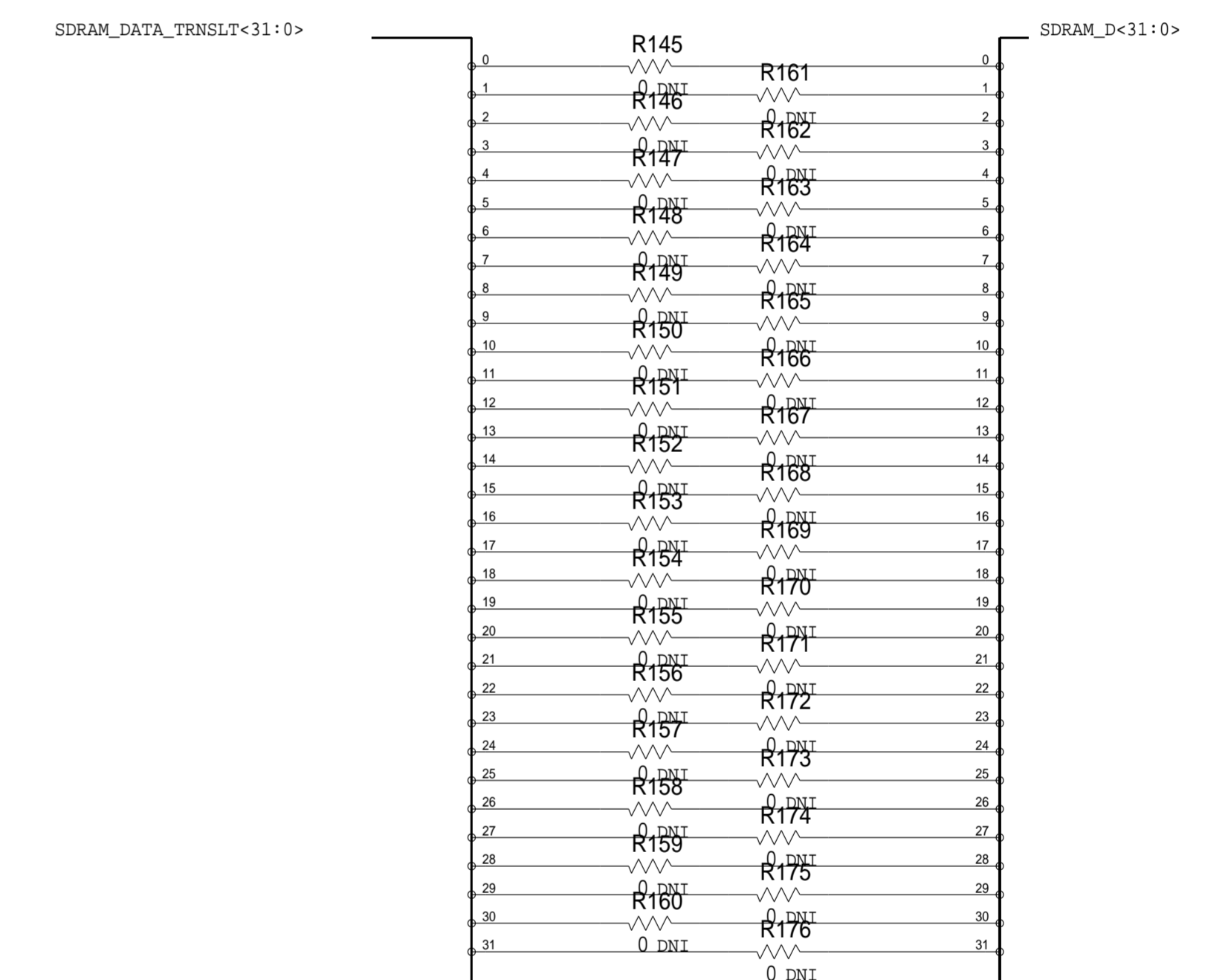
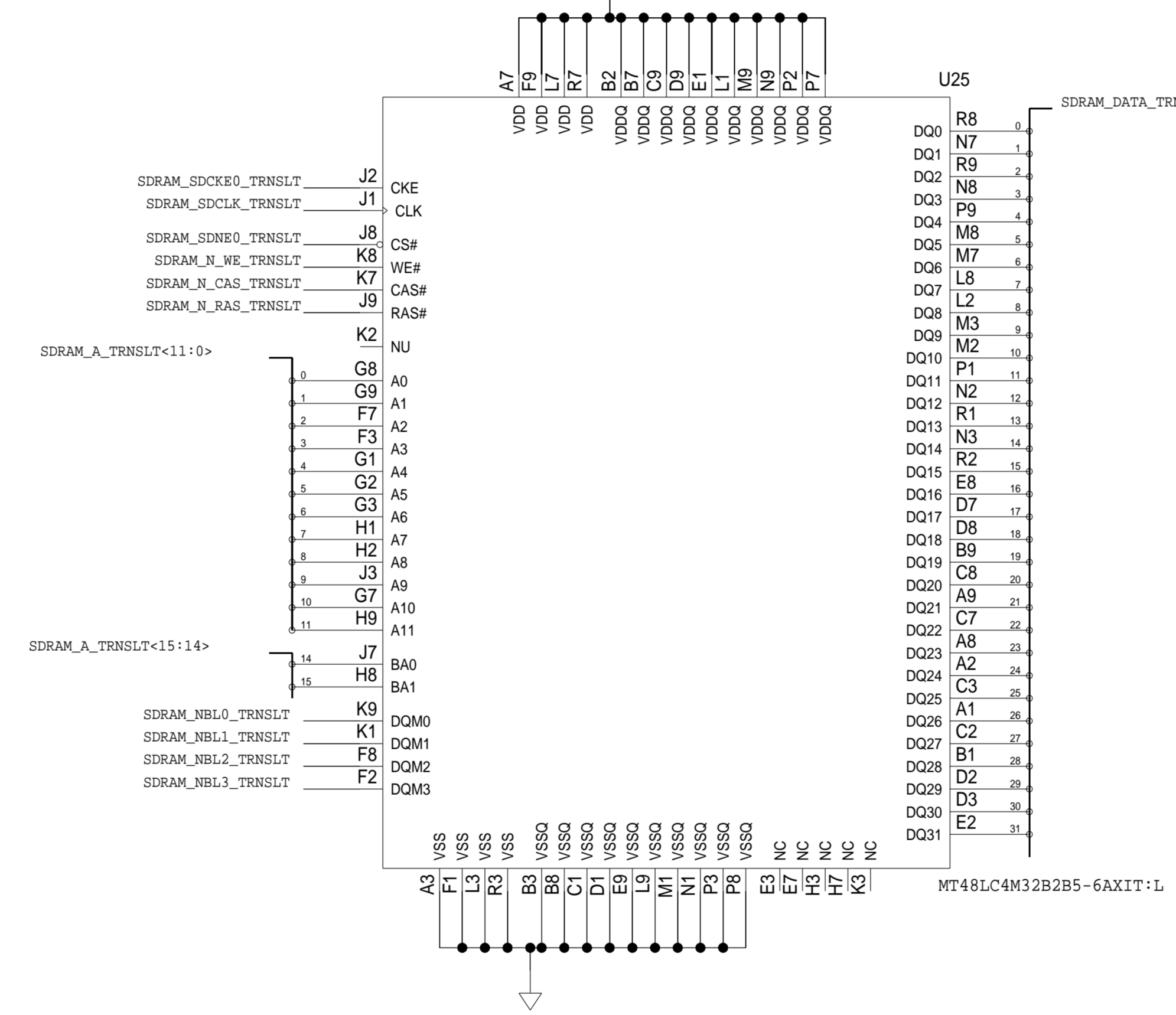
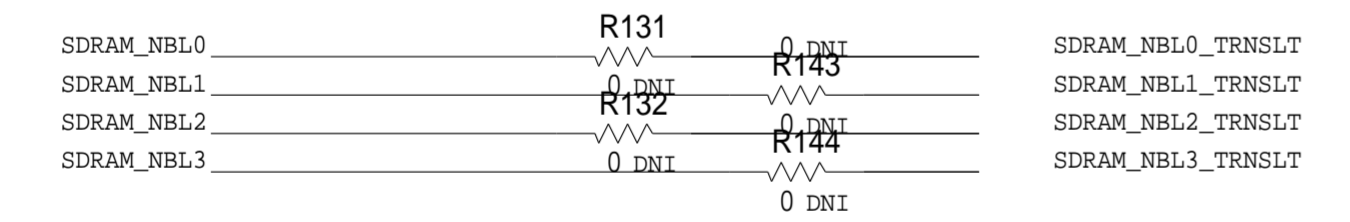
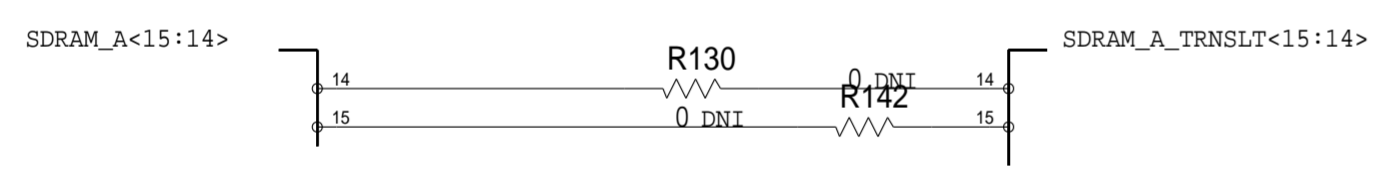
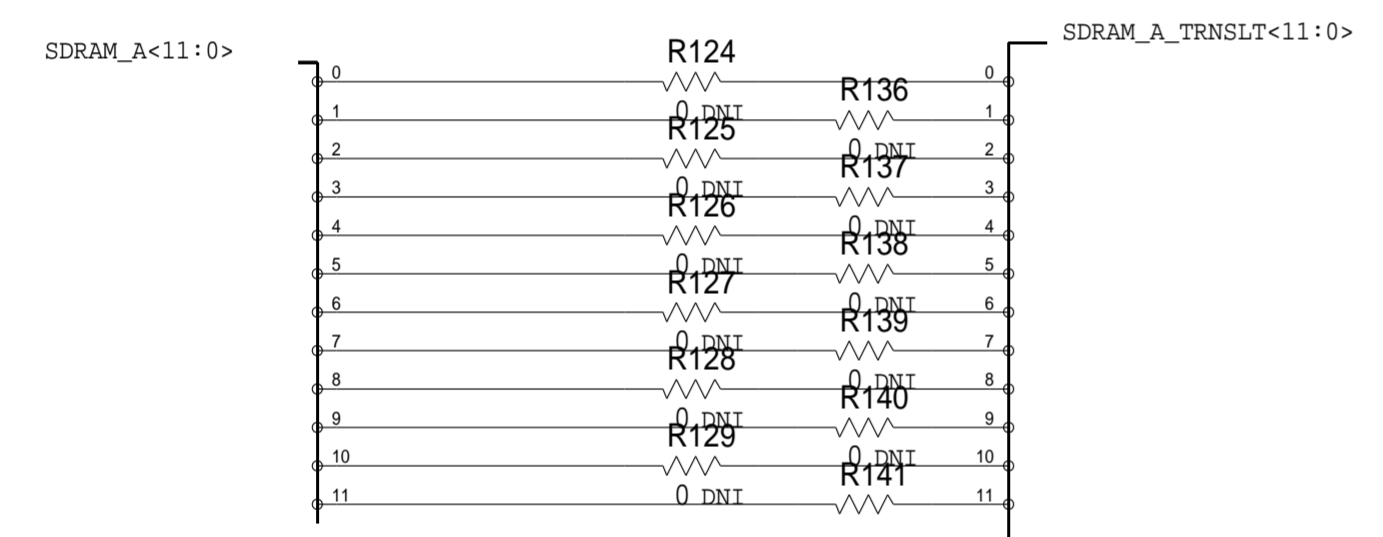
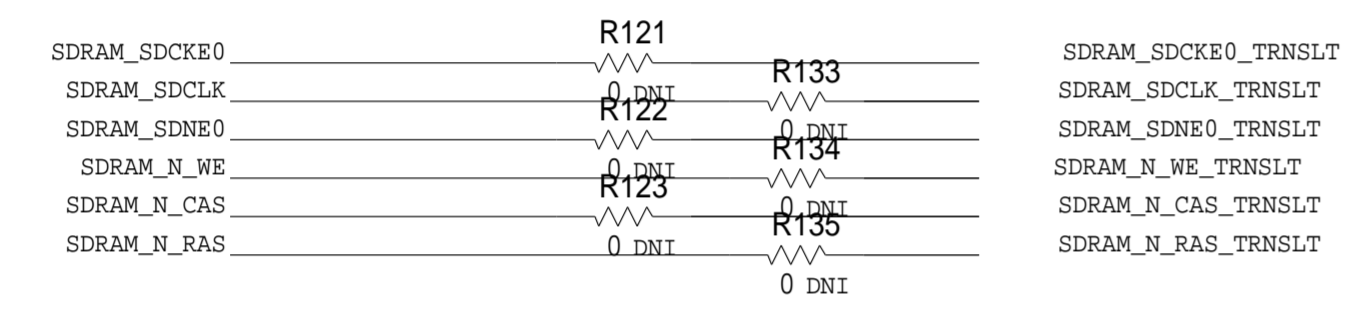
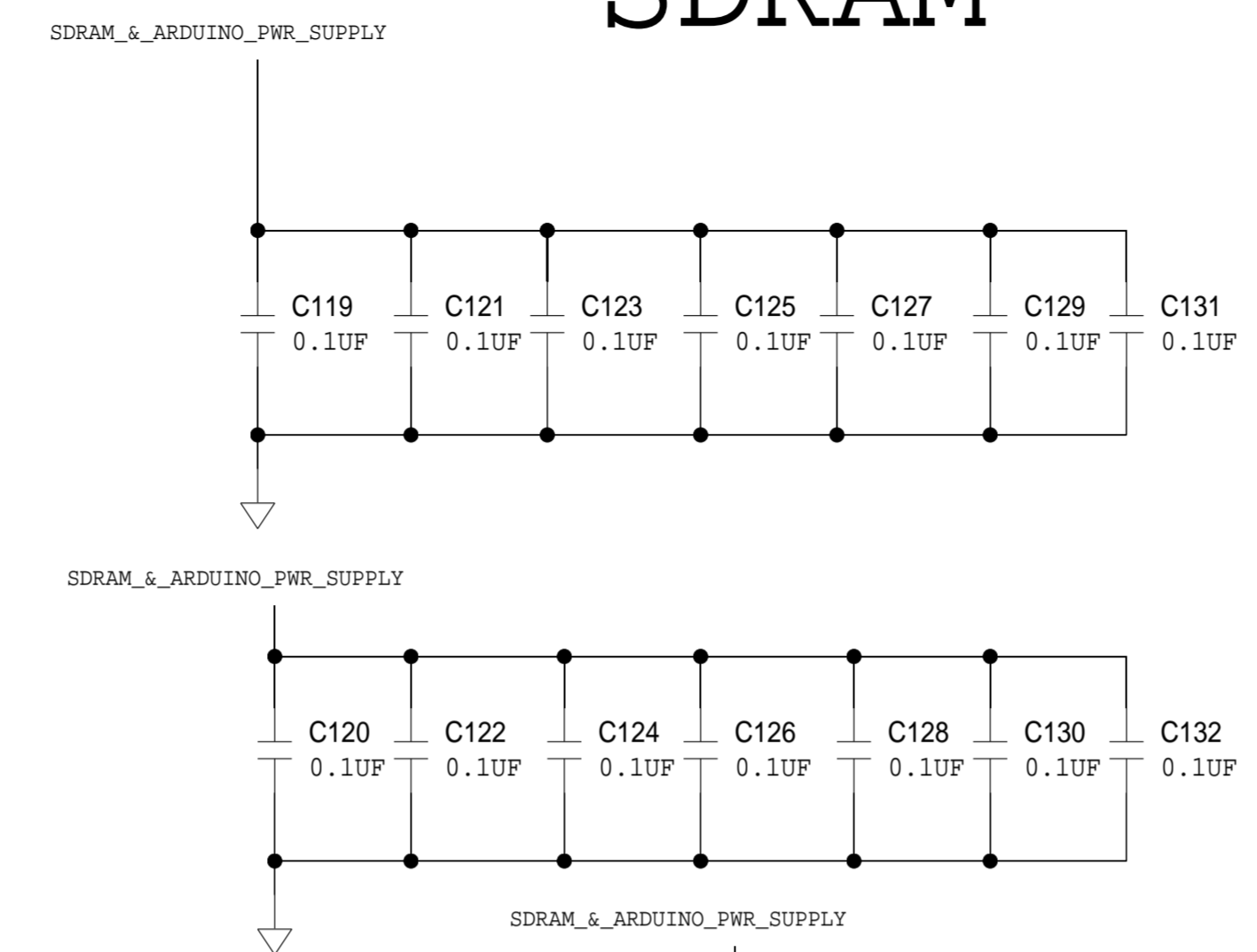
REVISIONS			
REV	DESCRIPTION	DATE	APPROVED



	SCHEMATIC		
	HW TYPE : Customer Evaluation		
	Product(s) : N/A		
	: N/A		
DESIGN VIEW <DESIGN_VIEW>	DRAWING NO. 02_049259	REV E	
PTD ENGINEER Sean Doyle	SIZE D	SCALE 1:1	SHEET 10 OF 11

REVISIONS			
REV	DESCRIPTION	DATE	APPROVED

SDRAM



	SCHEMATIC		
	HW TYPE : Customer Evaluation Product(s) : N/A : N/A		
	DESIGN VIEW <DESIGN_VIEW>	DRAWING NO. 02_049259	REV E
PTD ENGINEER Sean Doyle	SIZE D	SCALE 1:1	SHEET 11 OF 11