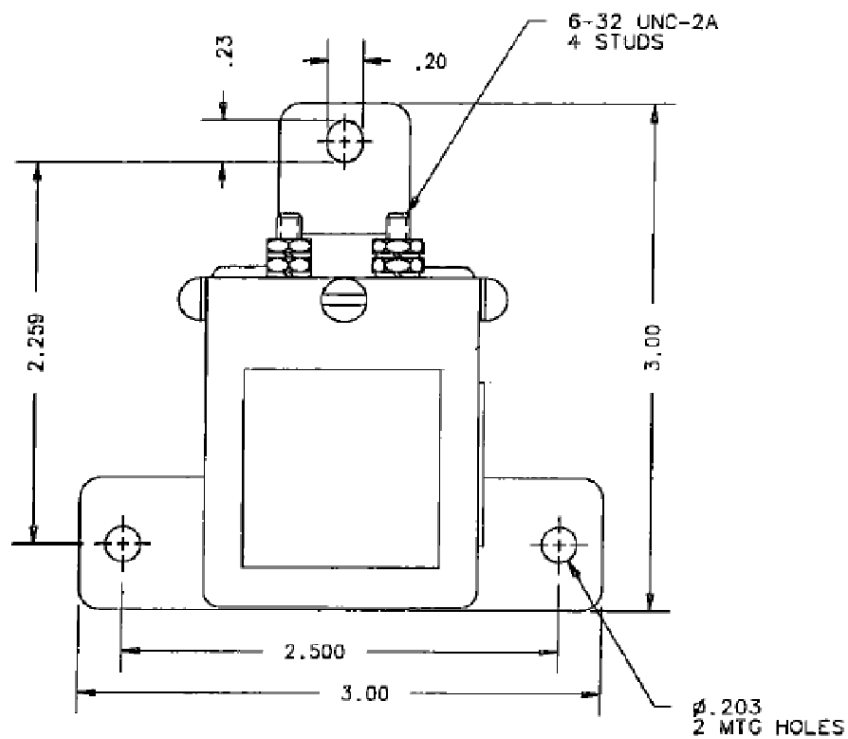
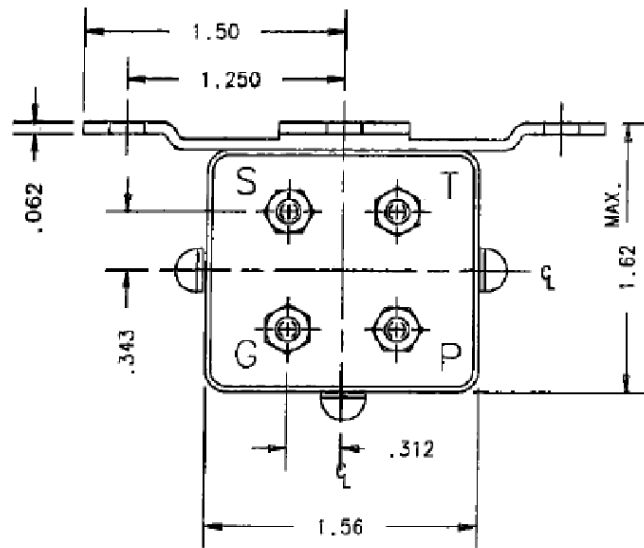


REVISIONS

REV.	ECO	DESCRIPTION	DATE	APPROVED
A		INITIAL RELEASE	31OCT2006	

E-311TS-1
 RELAY -OVERVOLTAGE
 WITH TIME DELAY



ALL DIMENSIONS ARE IN INCHES



TE CONNECTIVITY
 175 N. DIAMOND STREET MANSFIELD,
 OHIO 44902

TITLE

RELAY -OVERVOLTAGE
 WITH TIME DELAY

TE P.N.

8-1616960-9

DWG NO.

E-311TS-1

DS DATA SHEET

CAGE CODE
 74063

SCALE
 NONE

SHEET
 1 OF 2

REV
 A

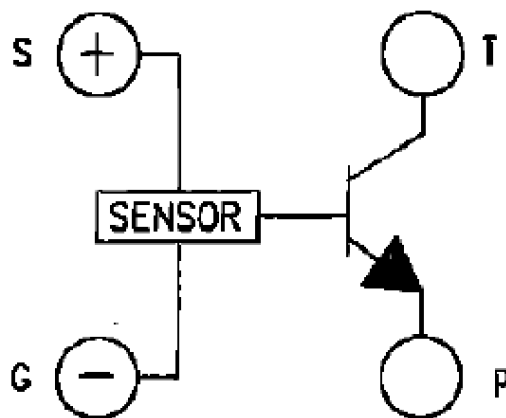
GENERAL SPECIFICATION

1. TIME/VOLTAGE CURVE

VOLTAGE	MIN. TIME	MAX. TIME
35	0.239	0.781
40	0.115	0.326
50	0.062	0.158
60	0.042	0.106
70	0.034	0.084
75	0.031	0.076
100	0.023	0.050

2. TRANSISTOR SWITCH IS OFF ABOVE 32 VDC \pm 1V.
3. ON RISING VOLTAGE FROM A ZERO VOLTAGE DATUM THE TRANSISTOR SWITCH IS ON BY 6 VDC (MAX) AND REMAINS ON UP TO OVERVOLTAGE TRIP THRESHOLD 32 VDC \pm 1V. (MINIMUM)
4. WHEN TRANSISTOR IS ON TP VOLTAGE DROP IS NOT GREATER THAN 2.0 VDC MAX.
5. TRANSISTOR SWITCH LATCHES OFF ABOVE 32 VDC \pm 1V, AND REAMAINS OFF ON FALLING VOLTAGE DOWN TO 10 VDC MAX. TO RESTORE TRANSISTOR SWITCH ON, OPEN THE SUPPLY TO PIN S AND THEN REINSTATE NORMAL SUPPLY (6 TO 32 VDC) TO PIN S.
6. TRANSISTOR RATING 5 AMP RESISTIVE AT 28 VDC
3 AMP INDUCTIVE AT 100 VDC
7. OPERATING TEMPERATURES -55°C TO +71°C.
8. WEIGHT MAXIMUM 6 OZ.
9. ALTITUDE 50,000 FT.
10. VIBRATION - MIL STD 810B METHOD 514. PROC 1, CURVE Z.
11. CONSTRUCTION - POTTED CASE.

SCHEMATIC



TE CONNECTIVITY
175 N. DIAMOND STREET MANSFIELD,
OHIO 44902

TITLE

RELAY -OVERVOLTAGE
WITH TIME DELAY

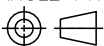
TE P.N.

8-1616960-9

DWG NO.

E-311TS-1

THIRD ANGLE PROJECTION



THIS DRAWING PREPARED
IN ACCORDANCE WITH
ANSI/ASMEY14.5M-1982

CAGE CODE

74063

SCALE

NONE

SHEET

2 OF 2

REV

A