
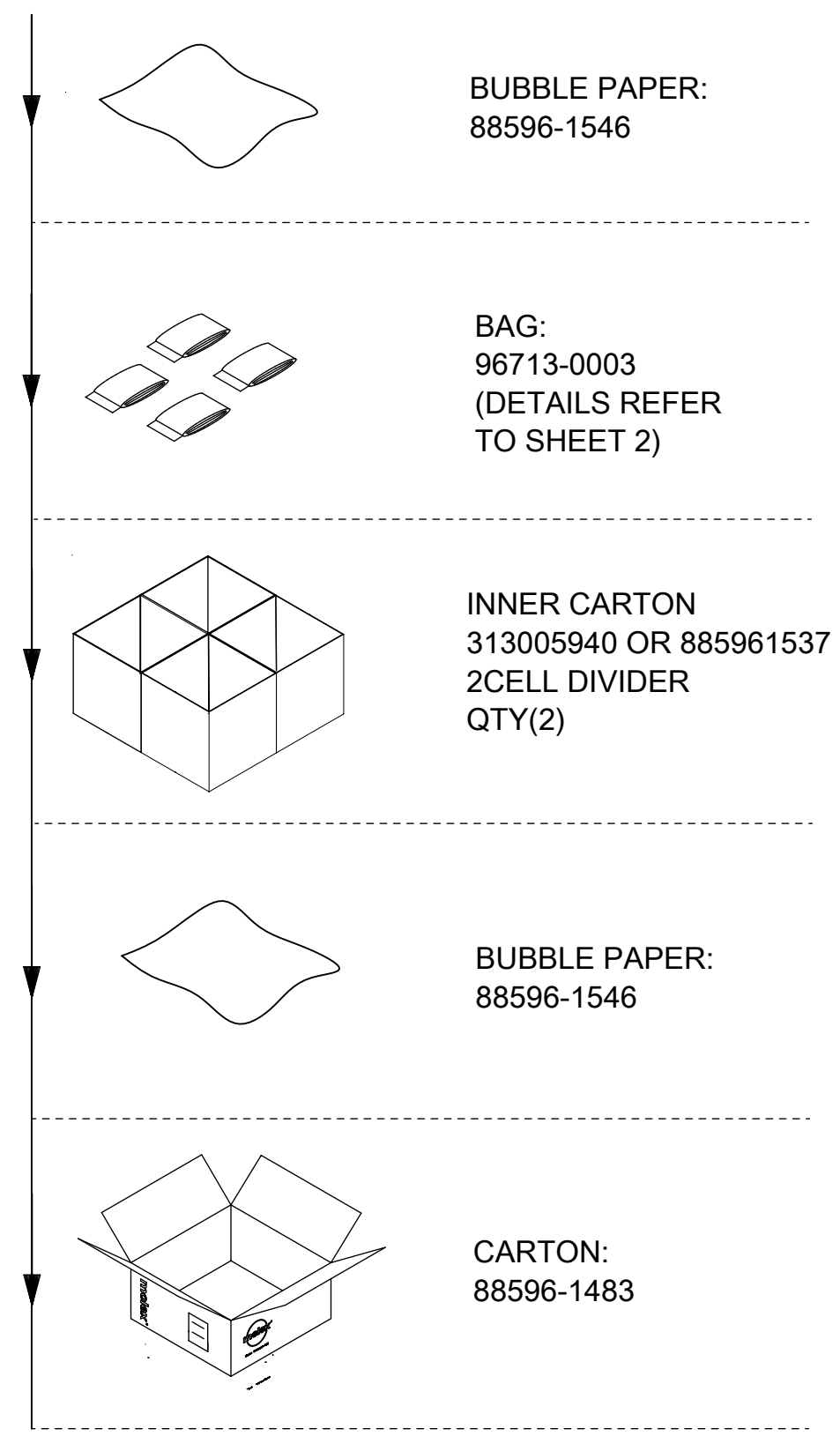
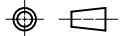


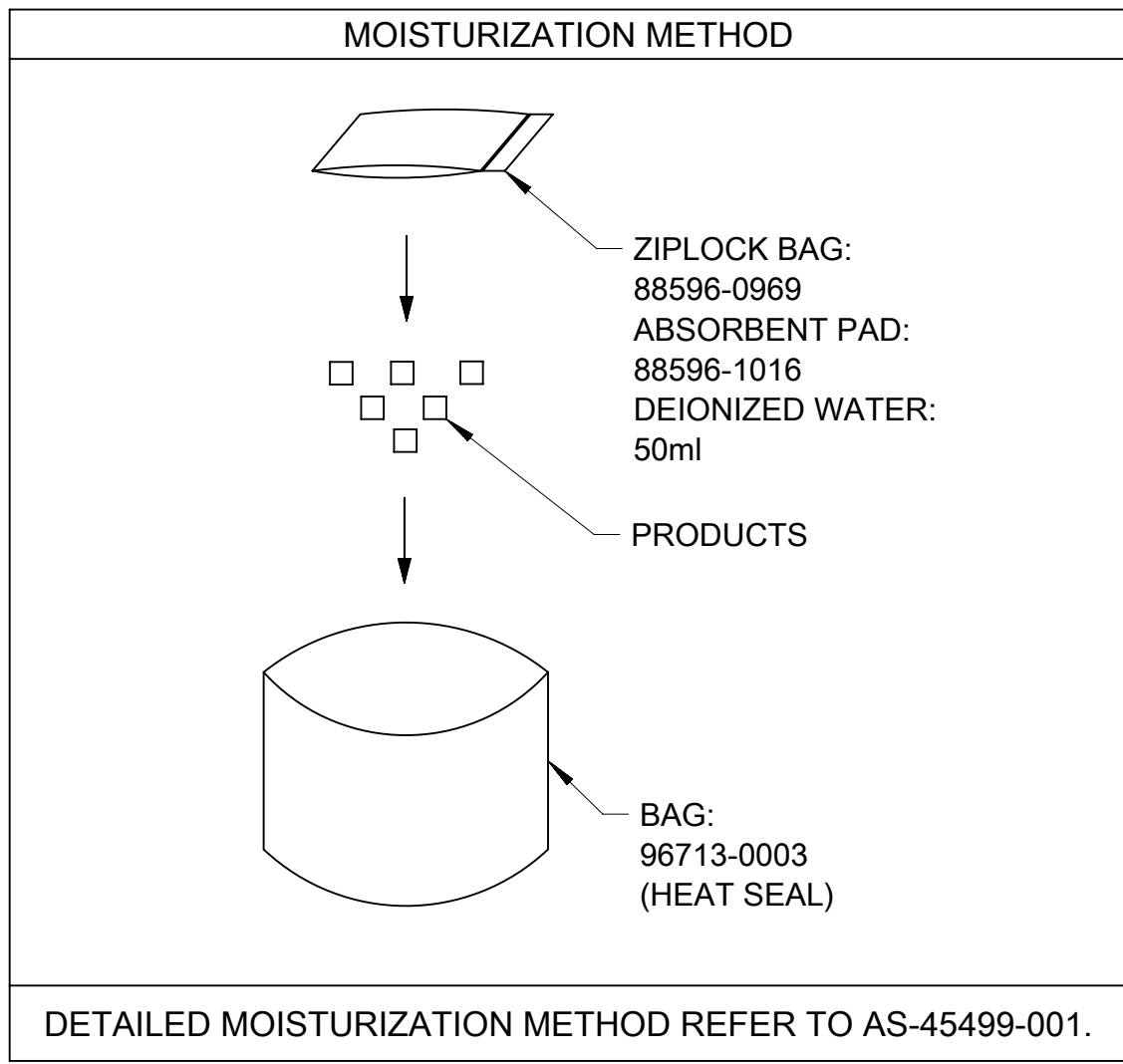
| PART NUMBER | CKTS | QUANTITY PER BAG | BAGS PER CARTON | PARTS PER CARTON (SPQ) | MOISTURIZATION METHOD  | PANEL LOCK |
|-------------|------|------------------|-----------------|------------------------|--|------------|
| 215922-0201 | 2 | 3000 | 4 | 12000 | NO MOISTURIZATION | WITHOUT |
| 215922-0401 | 4 | 2600 | 4 | 10400 | | |
| 215922-0601 | 6 | 2000 | 4 | 8000 | | |
| 215922-0801 | 8 | 1700 | 4 | 6800 | | |
| 215922-1001 | 10 | 1400 | 4 | 5600 | | |
| 215922-1201 | 12 | 1000 | 4 | 4000 | | |
| 215922-1401 | 14 | 800 | 4 | 3200 | | |
| 215922-1601 | 16 | 800 | 4 | 3200 | | |
| 215922-1801 | 18 | 600 | 4 | 2400 | | |
| 215922-2001 | 20 | 600 | 4 | 2400 | | |
| 215922-2201 | 22 | 600 | 4 | 2400 | | |
| 215922-2401 | 24 | 450 | 4 | 1800 | | |
| 215922-0200 | 2 | 2000 | 4 | 8000 | SEE SHEET 2 | WITH |
| 215922-0400 | 4 | 1800 | 4 | 7200 | | |
| 215922-0600 | 6 | 1600 | 4 | 6400 | | |
| 215922-0800 | 8 | 1100 | 4 | 4400 | | |
| 215922-1000 | 10 | 1000 | 4 | 4000 | | |
| 215922-1200 | 12 | 900 | 4 | 3600 | | |
| 215922-1400 | 14 | 800 | 4 | 3200 | | |
| 215922-1600 | 16 | 700 | 4 | 2800 | | |
| 215922-1800 | 18 | 600 | 4 | 2400 | | |
| 215922-2000 | 20 | 600 | 4 | 2400 | | |
| 215922-2200 | 22 | 400 | 4 | 1600 | | |
| 215922-2400 | 24 | 350 | 4 | 1400 | | |



TBD: NO PRODUCTION, TO BE ADDED AFTER BEING PRODUCED.

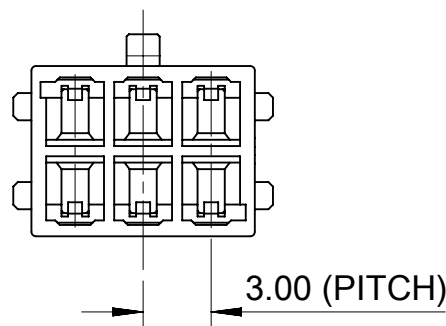
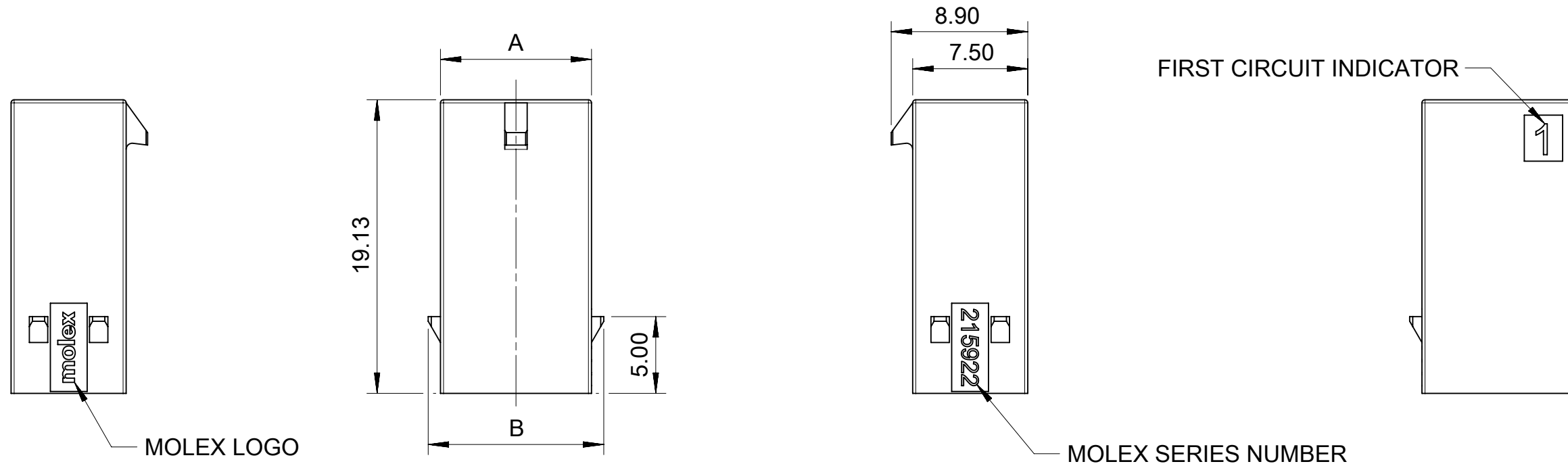
- NOTES:
1. MOISTURIZATION METHOD DESCRIPTIONS REFER TO SHEET 2.
 2. STANDARD PACKAGE QUANTITY (SPQ) SEE ABOVE CHART.
 3. PACKAGE WAY FOLLOW RIGHT ILLUSTRATION.
 4. ALL PACKAGE MATERIAL AND PRODUCT COMPLIANT TO RoHS DIRECTIVE 2011/65/EU AND ELV DIRECTIVE 2000/53/EC.

| | | | | | | | | | |
|--------------------|---|--|---|---|---|--------|----------|----------|--------------|
| FUNCTIONAL SYMBOLS | THIS DRAWING CONTAINS INFORMATION THAT IS PROPRIETARY TO MOLEX ELECTRONIC TECHNOLOGIES, LLC AND SHOULD NOT BE USED WITHOUT WRITTEN PERMISSION | | CURRENT REV DESC: | | molex | | | | |
| | mm | 1:1 | | | | | | | |
| DIVISIONAL SYMBOLS | GENERAL TOLERANCES (UNLESS SPECIFIED) | | EC NO: 725570 DRWN: GLLI 2022/08/29 CHK'D: XQZHANG 2022/10/31 APPR: XQZHANG 2022/10/31 | | PACKING SPEC FOR MICRO-FIT PLUS WTW HSG | | | | |
| | ANGULAR TOL ± ° | | | | PRODUCT CUSTOMER DRAWING | | | | |
| | 4 PLACES | ± | | | DOCUMENT NUMBER | | DOC TYPE | DOC PART | REVISION |
| | 3 PLACES | ± 0.1 | | | 2159220000-PK | | PSD | 000 | B |
| | 2 PLACES | ± 0.3 | | | MATERIAL NUMBER | | CUSTOMER | | SHEET NUMBER |
| 1 PLACE | ± 0.5 | DRWN: GLLI 2021/10/28 APPR: XQZHANG 2021/11/15 | | | | 1 OF 2 | | | |
| 0 PLACES | ± | DRAFT WHERE APPLICABLE MUST REMAIN WITHIN DIMENSIONS | | THIRD ANGLE PROJECTION | DRAWING | SERIES | | | |
| | | | |  | A3-SIZE | 215922 | | | |



| | | | |
|---------------------------|---|--------|---|
| FUNCTIONAL SYMBOLS | THIS DRAWING CONTAINS INFORMATION THAT IS PROPRIETARY TO MOLEX ELECTRONIC TECHNOLOGIES, LLC AND SHOULD NOT BE USED WITHOUT WRITTEN PERMISSION | | |
| $\nabla_A = 0$ | DIMENSION UNITS | SCALE | <p style="margin: 0;">molex</p> <p style="margin: 0;">PACKING SPEC FOR MICRO-FIT PLUS WTW HSG</p> <p style="margin: 0;">PRODUCT CUSTOMER DRAWING</p> |
| $\nabla_F = 0$ | mm | 1:1 | |
| $\nabla_P = 0$ | GENERAL TOLERANCES (UNLESS SPECIFIED) | | |
| | ANGULAR TOL ± ° | | |
| DIVISIONAL SYMBOLS | | | CURRENT REV DESC: |
| | 4 PLACES ± | | EC NO: 725570 |
| | 3 PLACES ± 0.1 | | DRWN: GLLI 2022/08/29 |
| | 2 PLACES ± 0.3 | | CHK'D: XQZHANG 2022/10/31 |
| | 1 PLACE ± 0.5 | | APPR: XQZHANG 2022/10/31 |
| | 0 PLACES ± | | INITIAL REVISION: |
| | DRAFT WHERE APPLICABLE MUST REMAIN WITHIN DIMENSIONS | | DRWN: GLLI 2021/10/28 |
| | THIRD ANGLE PROJECTION | | APPR: XQZHANG 2021/11/15 |
| | DRAWING | SERIES | DOCUMENT NUMBER |
| | A3-SIZE | 215922 | 2159220000-PK |
| | MATERIAL NUMBER | | CUSTOMER |
| | SHEET NUMBER | | DOC TYPE DOC PART REVISION |
| | 2 OF 2 | | PSD 000 B |

FREE HANGING PLUG PARTS

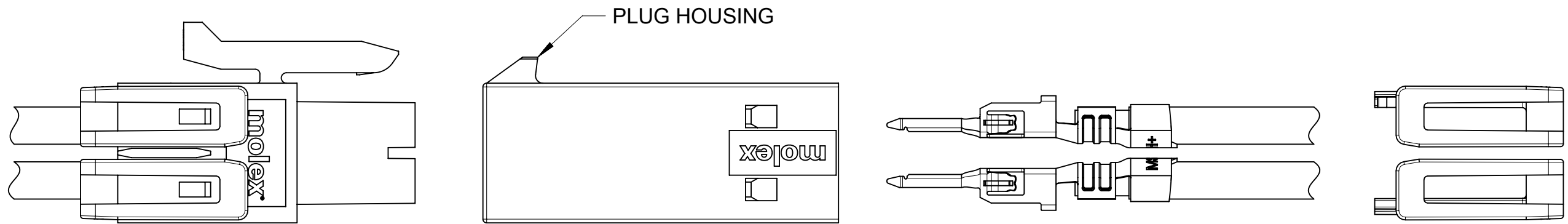
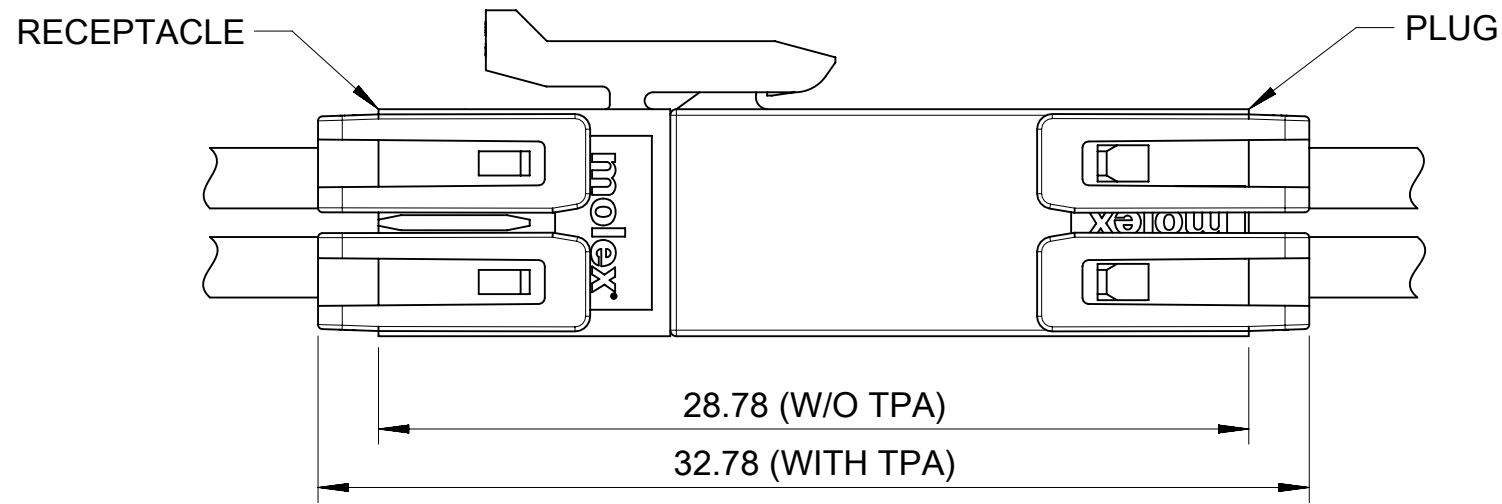


| PART No | DIM'A' | DIM'B' | CKT SIZE |
|-------------|--------|--------|----------|
| 215922-0201 | 3.85 | 5.45 | 2 |
| 215922-0401 | 6.85 | 8.45 | 4 |
| 215922-0601 | 9.85 | 11.45 | 6 |
| 215922-0801 | 12.85 | 14.45 | 8 |
| 215922-1001 | 15.85 | 17.45 | 10 |
| 215922-1201 | 18.85 | 20.45 | 12 |
| 215922-1401 | 21.85 | 23.45 | 14 |
| 215922-1601 | 24.85 | 26.45 | 16 |
| 215922-1801 | 27.85 | 29.45 | 18 |
| 215922-2001 | 30.85 | 32.45 | 20 |
| 215922-2201 | 33.85 | 35.45 | 22 |
| 215922-2401 | 36.85 | 38.45 | 24 |

- NOTES:
1. MATERIAL: PA66, 94V-0, BLACK.
 2. PRODUCT SPECIFICATION: 2159530000-PS.
 3. PACKAGE SPECIFICATION: 2159220000-PK.
 4. TO USE WITH TERMINAL OF 2015953-****.
 5. TO USE WITH TPA OF 206462-****.
 6. TO MATE WITH RECEPTACLE OF 206461-****.
 7. PARTS CONFORM TO CLASS 'B' REQUIREMENTS OF COSMETIC SPECIFICATION PS-45499-002.

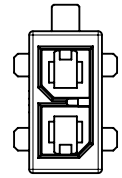
| | | | | | | | | | | |
|--------------------|---|--|--------------------------|---------------------------|-------------------|--------------------------|----------|----------------|---|----|
| FUNCTIONAL SYMBOLS | THIS DRAWING CONTAINS INFORMATION THAT IS PROPRIETARY TO MOLEX ELECTRONIC TECHNOLOGIES, LLC AND SHOULD NOT BE USED WITHOUT WRITTEN PERMISSION | | CURRENT REV DESC: | | | | | | | |
| | DIMENSION UNITS | SCALE | | | | | | | PLUG HOUSING OF MICRO-FIT PLUS WTW DR POWER CONNECTOR | |
| DIVISIONAL SYMBOLS | $\nabla_A = 0$ | mm | 1:1 | EC NO: 712744 | | PRODUCT CUSTOMER DRAWING | | | | |
| | $\nabla_E = 0$ | GENERAL TOLERANCES (UNLESS SPECIFIED) | | DRWN: GLLI 2022/07/01 | | DOCUMENT NUMBER | | | | |
| | $\nabla_{E'} = 0$ | ANGULAR TOL \pm ° | | CHK'D: XQZHANG 2022/07/05 | | DOC TYPE | | | | |
| | 4 PLACES \pm | | APPR: XQZHANG 2022/07/05 | | INITIAL REVISION: | | DOC PART | | | |
| 3 PLACES \pm | | DRWN: GLLI 2021/01/29 | | APPR: XQZHANG 2021/11/15 | | 2159220000-SD | | PSD | 000 | A1 |
| 2 PLACES \pm 0.2 | | DRAFT WHERE APPLICABLE MUST REMAIN WITHIN DIMENSIONS | | THIRD ANGLE PROJECTION | | SERIES | | SHEET NUMBER | | |
| 1 PLACE \pm 0.3 | | A3-SIZE | | DRAWING | | 215922 | | GENERAL MARKET | | |
| 0 PLACES \pm | | | | | | | | 1 OF 6 | | |

FREE HANGING PLUG PARTS

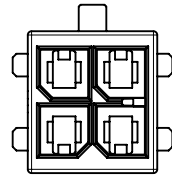


| | | | | | | | | | |
|--|---|----|-------------------|--------------------------|---------------------------|--------|-----------------|----------------|--------------|
| FUNCTIONAL SYMBOLS | THIS DRAWING CONTAINS INFORMATION THAT IS PROPRIETARY TO MOLEX ELECTRONIC TECHNOLOGIES, LLC AND SHOULD NOT BE USED WITHOUT WRITTEN PERMISSION | | CURRENT REV DESC: | | molex | | | | |
| | △/A = 0 | mm | | | | | | | SCALE 1:1 |
| DIVISIONAL SYMBOLS | GENERAL TOLERANCES (UNLESS SPECIFIED) | | | | EC NO: 712744 | | | | |
| | ANGULAR TOL ± ° | | | | DRWN: GLLI 2022/07/01 | | | | |
| | 4 PLACES ± | | | | CHK'D: XQZHANG 2022/07/05 | | | | |
| | 3 PLACES ± | | | | APPR: XQZHANG 2022/07/05 | | | | |
| | 2 PLACES ± 0.2 | | | | INITIAL REVISION: | | | | |
| 1 PLACE ± 0.3 | | | | DRWN: GLLI 2021/01/29 | | | | | |
| 0 PLACES ± | | | | APPR: XQZHANG 2021/11/15 | | | | | |
| DRAFT WHERE APPLICABLE MUST REMAIN WITHIN DIMENSIONS | | | | THIRD ANGLE PROJECTION | DRAWING | SERIES | MATERIAL NUMBER | CUSTOMER | SHEET NUMBER |
| | | | | | A3-SIZE | 215922 | 2159220000-SD | GENERAL MARKET | 2 OF 6 |

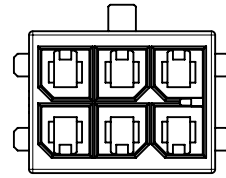
FREE HANGING PLUG PARTS



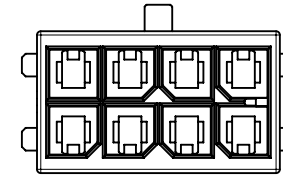
2 CKT



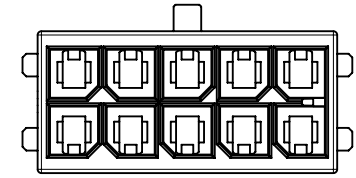
4 CKT



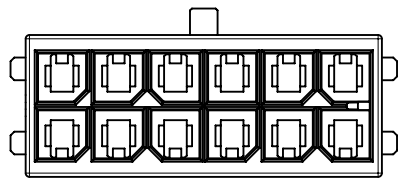
6 CKT



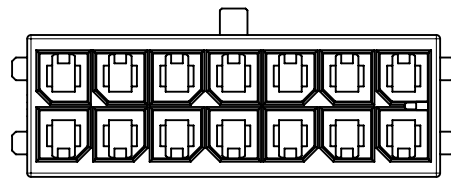
8 CKT



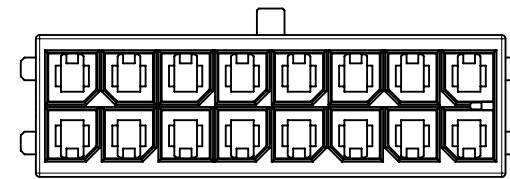
10 CKT



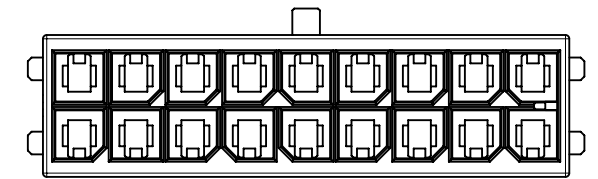
12 CKT



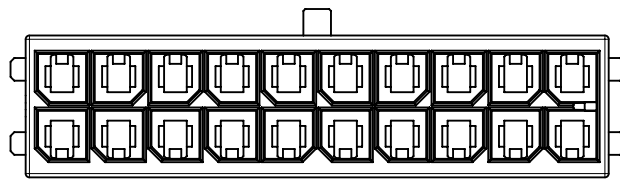
14 CKT



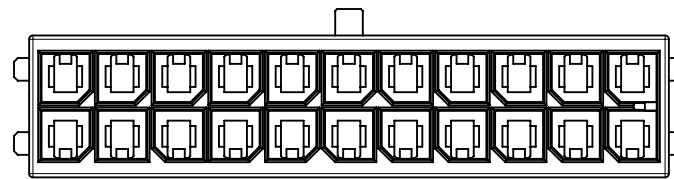
16 CKT



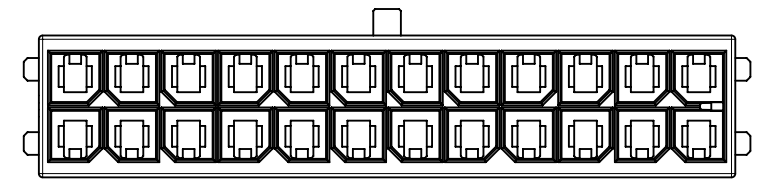
18 CKT



20 CKT



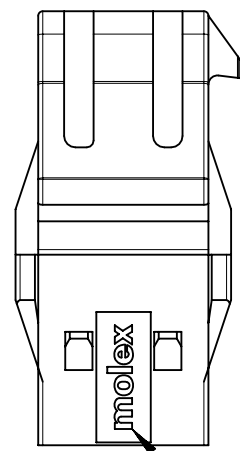
22 CKT



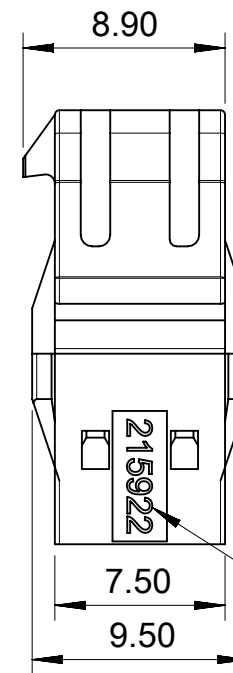
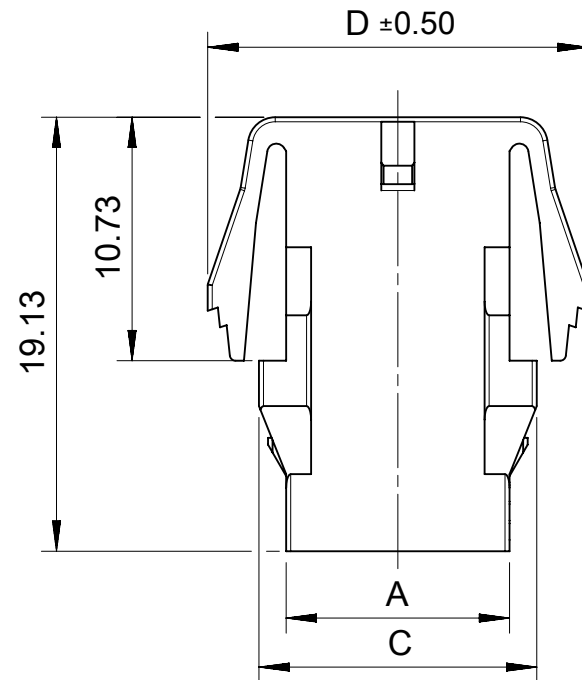
24 CKT

| | | | | | | | | | |
|--|---|------------------------------|-------------------|---------|---|-----------------|----------------|----------|---------------------|
| FUNCTIONAL SYMBOLS | THIS DRAWING CONTAINS INFORMATION THAT IS PROPRIETARY TO MOLEX ELECTRONIC TECHNOLOGIES, LLC AND SHOULD NOT BE USED WITHOUT WRITTEN PERMISSION | | CURRENT REV DESC: | | | | | | |
| | $\nabla_A = 0$ $\nabla_E = 0$ $\nabla_V = 0$ | DIMENSION UNITS mm | | | | | | | SCALE 1:1 |
| DIVISIONAL SYMBOLS | 4 PLACES | ± | EC NO: 712744 | | PLUG HOUSING OF MICRO-FIT PLUS WTW DR POWER CONNECTOR | | | | |
| | 3 PLACES | ± | DRWN: GLLI | | PRODUCT CUSTOMER DRAWING | | | | |
| | 2 PLACES | ± 0.2 | CHK'D: XQZHANG | | DOCUMENT NUMBER | | | | |
| | 1 PLACE | ± 0.3 | APPR: XQZHANG | | 2159220000-SD | | | | |
| | 0 PLACES | ± | INITIAL REVISION: | | DOC TYPE | | | | |
| DRAFT WHERE APPLICABLE MUST REMAIN WITHIN DIMENSIONS | | THIRD ANGLE PROJECTION | | DRAWING | SERIES | MATERIAL NUMBER | CUSTOMER | DOC PART | REVISION |
| | | | | A3-SIZE | 215922 | | GENERAL MARKET | 000 | A1 |

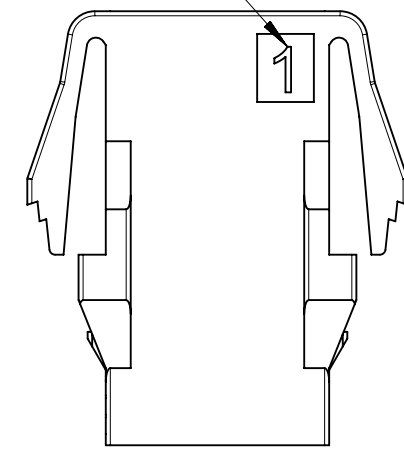
PANEL MOUNT PLUG PARTS



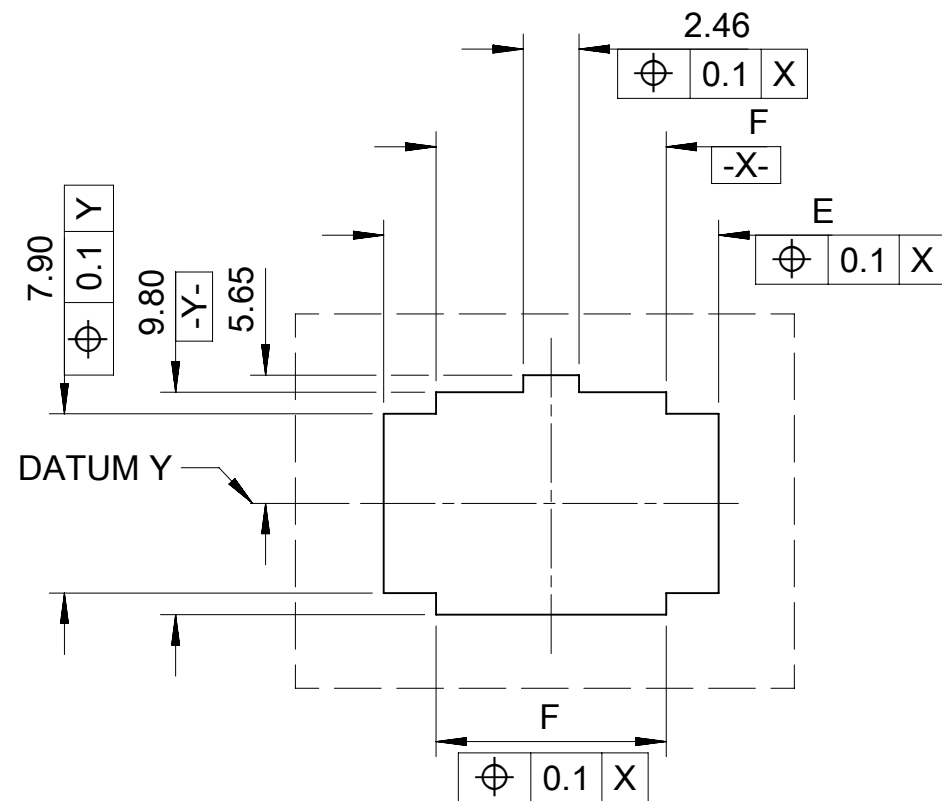
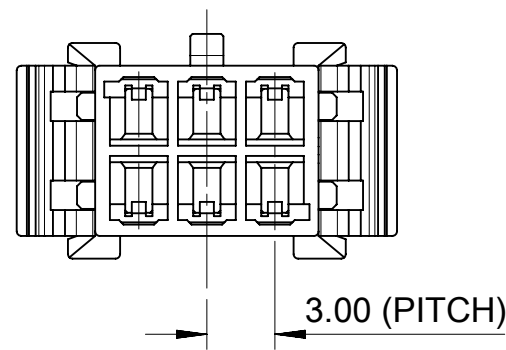
MOLEX LOGO



FIRST CIRCUIT INDICATOR



MOLEX SERIES NUMBER

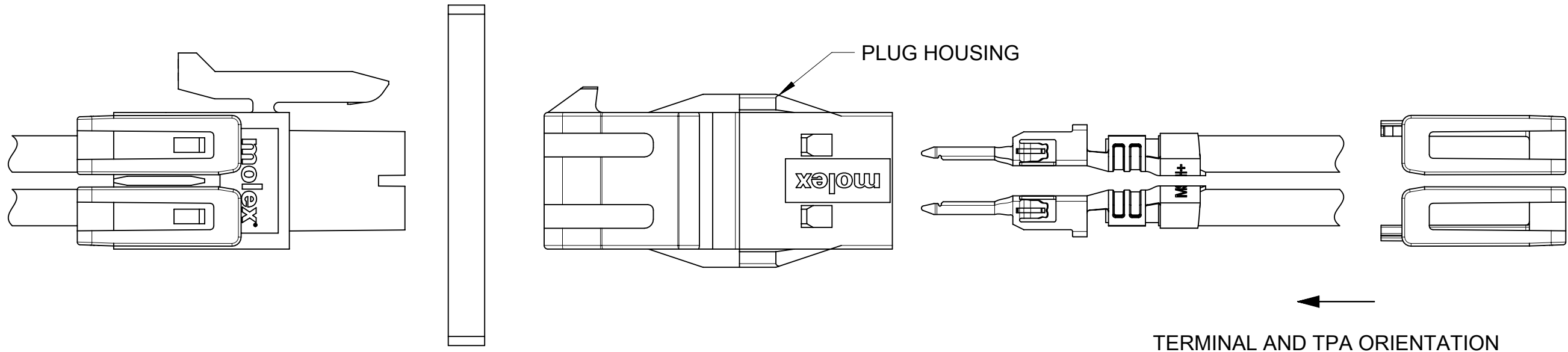
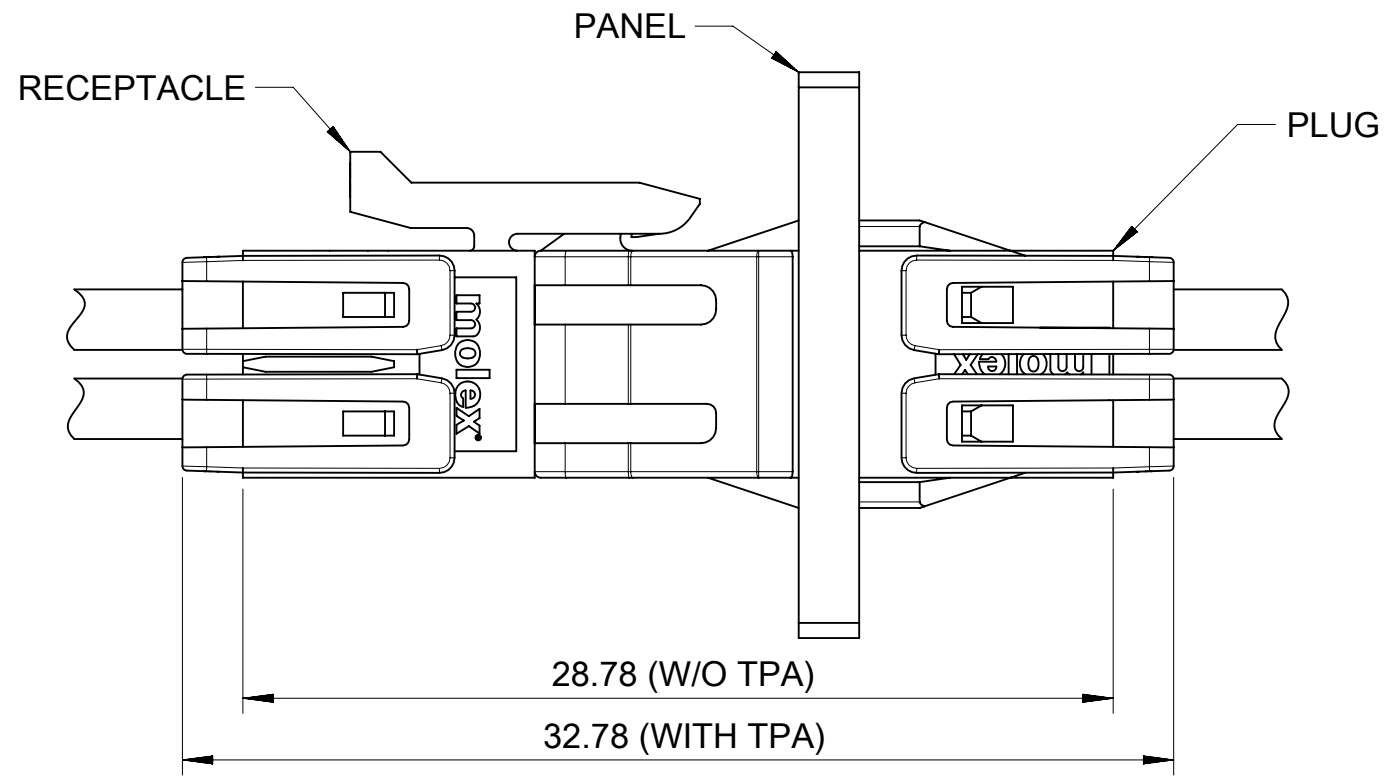


| PART No | DIM 'A' | DIM 'C' | DIM 'D' | DIM 'E' | DIM 'F' | CKT SIZE |
|-------------|---------|---------|---------|---------|---------|----------|
| 215922-0200 | 3.85 | 6.25 | 10.77 | 8.77 | 4.15 | 2 |
| 215922-0400 | 6.85 | 9.25 | 13.77 | 11.77 | 7.15 | 4 |
| 215922-0600 | 9.85 | 12.25 | 16.77 | 14.77 | 10.15 | 6 |
| 215922-0800 | 12.85 | 15.25 | 19.77 | 17.77 | 13.15 | 8 |
| 215922-1000 | 15.85 | 18.25 | 22.77 | 20.77 | 16.15 | 10 |
| 215922-1200 | 18.85 | 21.25 | 25.77 | 23.77 | 19.15 | 12 |
| 215922-1400 | 21.85 | 24.25 | 28.77 | 26.77 | 22.15 | 14 |
| 215922-1600 | 24.85 | 27.25 | 31.77 | 29.77 | 25.15 | 16 |
| 215922-1800 | 27.85 | 30.25 | 34.77 | 32.77 | 28.15 | 18 |
| 215922-2000 | 30.85 | 33.25 | 37.77 | 35.77 | 31.15 | 20 |
| 215922-2200 | 33.85 | 36.25 | 40.77 | 38.77 | 34.15 | 22 |
| 215922-2400 | 36.85 | 39.25 | 43.77 | 41.77 | 37.15 | 24 |

RECOMMENDED PANEL CUT OUT
(TOLERRANCE +/-0.05 THICKNESS=1.2~2.2MM)

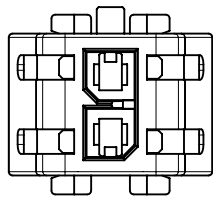
| | | | | |
|--------------------|--|---|---------|--------------------------|
| FUNCTIONAL SYMBOLS | THIS DRAWING CONTAINS INFORMATION THAT IS PROPRIETARY TO MOLEX ELECTRONIC TECHNOLOGIES, LLC AND SHOULD NOT BE USED WITHOUT WRITTEN PERMISSION | CURRENT REV DESC: | | molex |
| | DIMENSION UNITS: mm SCALE: 1:1 GENERAL TOLERANCES (UNLESS SPECIFIED) ANGULAR TOL ± ° 4 PLACES ± 3 PLACES ± 2 PLACES ± 0.2 1 PLACE ± 0.3 0 PLACES ± | EC NO: 712744 DRWN: GLLI 2022/07/01 CHK'D: XQZHANG 2022/07/05 APPR: XQZHANG 2022/07/05 | | |
| DIVISIONAL SYMBOLS | DRAFT WHERE APPLICABLE MUST REMAIN WITHIN DIMENSIONS | THIRD ANGLE PROJECTION | DRAWING | PRODUCT CUSTOMER DRAWING |
| | | | SERIES | DOCUMENT NUMBER |
| | | | 215922 | 2159220000-SD |
| | | | | PSD 000 A1 |
| | | | | SHEET NUMBER |
| | | | | 4 OF 6 |

PANEL MOUNT PLUG PARTS

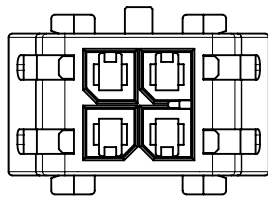


| | | | | | | |
|--------------------------------|---|---|--|------------|------------------------|--|
| FUNCTIONAL SYMBOLS | THIS DRAWING CONTAINS INFORMATION THAT IS PROPRIETARY TO MOLEX ELECTRONIC TECHNOLOGIES, LLC AND SHOULD NOT BE USED WITHOUT WRITTEN PERMISSION | | <div style="text-align: center; font-size: 24pt; font-weight: bold;">molex</div> | | | |
| | $\nabla_A = 0$ $\nabla_F = 0$ $\nabla_P = 0$ | DIMENSION UNITS: mm SCALE: 1:1 | | | | |
| DIVISIONAL SYMBOLS | GENERAL TOLERANCES (UNLESS SPECIFIED) | | EC NO: 712744 | | 2022/07/01 | |
| | ANGULAR TOL ± ° | | DRWN: GLLI | | 2022/07/05 | |
| | 4 PLACES ± | APPR: XQZHANG | | 2022/07/05 | | |
| | 3 PLACES ± | INITIAL REVISION: | | 2021/01/29 | | |
| | 2 PLACES ± 0.2 | DRWN: GLLI | | 2021/11/15 | | |
| 1 PLACE ± 0.3 | APPR: XQZHANG | | 2021/11/15 | | | |
| 0 PLACES ± | DRAFT WHERE APPLICABLE MUST REMAIN WITHIN DIMENSIONS | | THIRD ANGLE PROJECTION | | DRAWING: A3-SIZE | |
| DOCUMENT NUMBER: 2159220000-SD | | | DOC TYPE: PSD | | DOC PART: 000 | |
| REVISION: A1 | | | MATERIAL NUMBER: 215922 | | SERIES: GENERAL MARKET | |
| SHEET NUMBER: 5 OF 6 | | | CUSTOMER: GENERAL MARKET | | DATE: 2022/07/05 | |

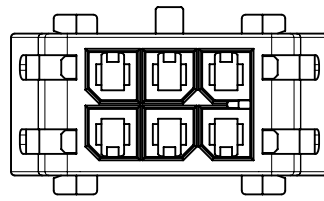
PANEL MOUNT PLUG PARTS



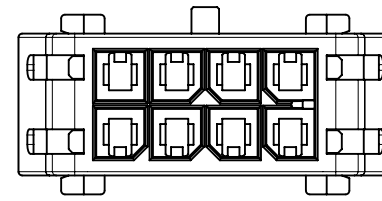
2 CKT



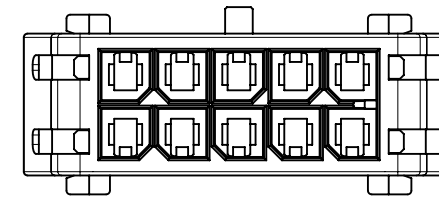
4 CKT



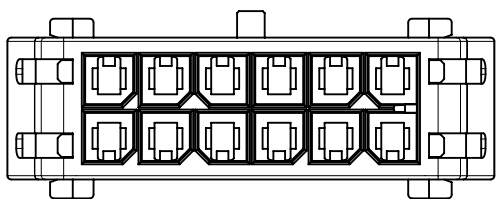
6 CKT



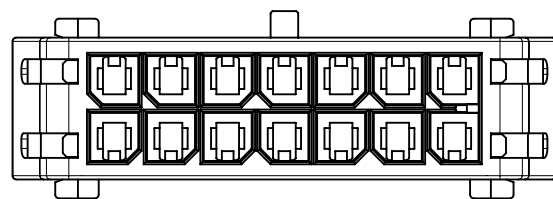
8 CKT



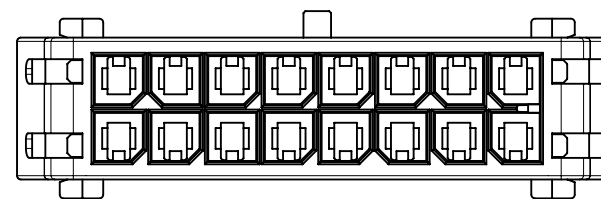
10 CKT



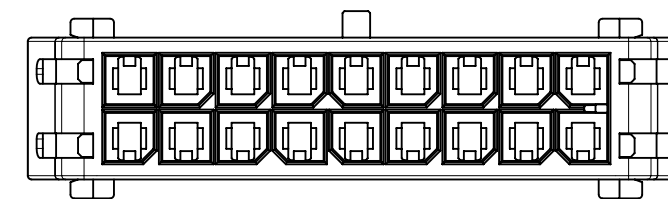
12 CKT



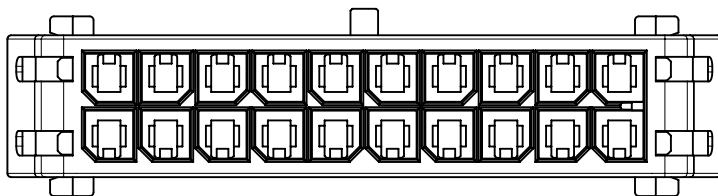
14 CKT



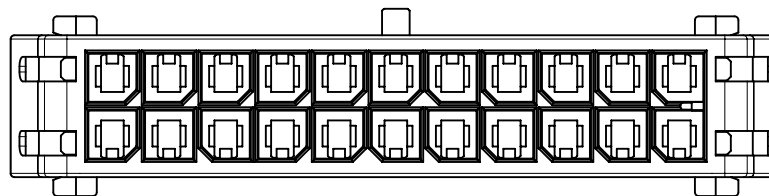
16 CKT



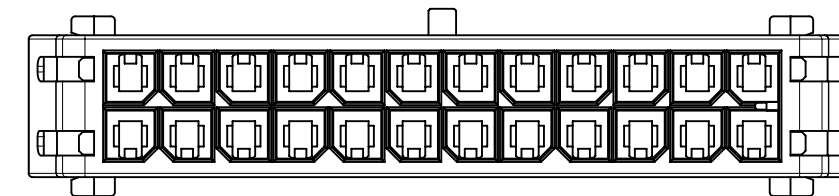
18 CKT



20 CKT



22 CKT



24 CKT

| | | | | | | | | | | | |
|--|---|------------------------|--|------------|---|-----------------|-----------------|----------------|--------------|----------|----------|
| FUNCTIONAL SYMBOLS | THIS DRAWING CONTAINS INFORMATION THAT IS PROPRIETARY TO MOLEX ELECTRONIC TECHNOLOGIES, LLC AND SHOULD NOT BE USED WITHOUT WRITTEN PERMISSION | | CURRENT REV DESC: | | molex | | | | | | |
| | mm | 1:1 | | | | | | | | | |
| DIVISIONAL SYMBOLS | GENERAL TOLERANCES (UNLESS SPECIFIED) | | EC NO: 712744 DRWN: GLLI CHK'D: XQZHANG APPR: XQZHANG INITIAL REVISION: DRWN: GLLI APPR: XQZHANG | | PLUG HOUSING OF MICRO-FIT PLUS WTW DR POWER CONNECTOR | | | | | | |
| | ANGULAR TOL ± ° | | | | PRODUCT CUSTOMER DRAWING | | | | | | |
| | 4 PLACES ± | | | | 2022/07/01 | | DOCUMENT NUMBER | | DOC TYPE | DOC PART | REVISION |
| | 3 PLACES ± | | | | 2022/07/05 | | 2159220000-SD | | PSD | 000 | A1 |
| | 2 PLACES ± | 0.2 | | | 2022/07/05 | | 2021/01/29 | | SHEET NUMBER | | |
| 1 PLACE ± | 0.3 | | | 2021/11/15 | | MATERIAL NUMBER | | CUSTOMER | | | |
| 0 PLACES ± | | | | | | 215922 | | GENERAL MARKET | | | |
| DRAFT WHERE APPLICABLE MUST REMAIN WITHIN DIMENSIONS | | THIRD ANGLE PROJECTION | | DRAWING | SERIES | CUSTOMER | | SHEET NUMBER | | | |
| | | | | A3-SIZE | 215922 | GENERAL MARKET | | 6 OF 6 | | | |