
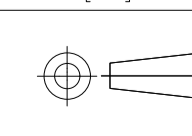


LOC		DIST		REVISIONS			
P	LTR	DESCRIPTION	DATE	DN	APVD		
D		REVISED PER ECO-17-015513	20DEC2017	PHM	CT		

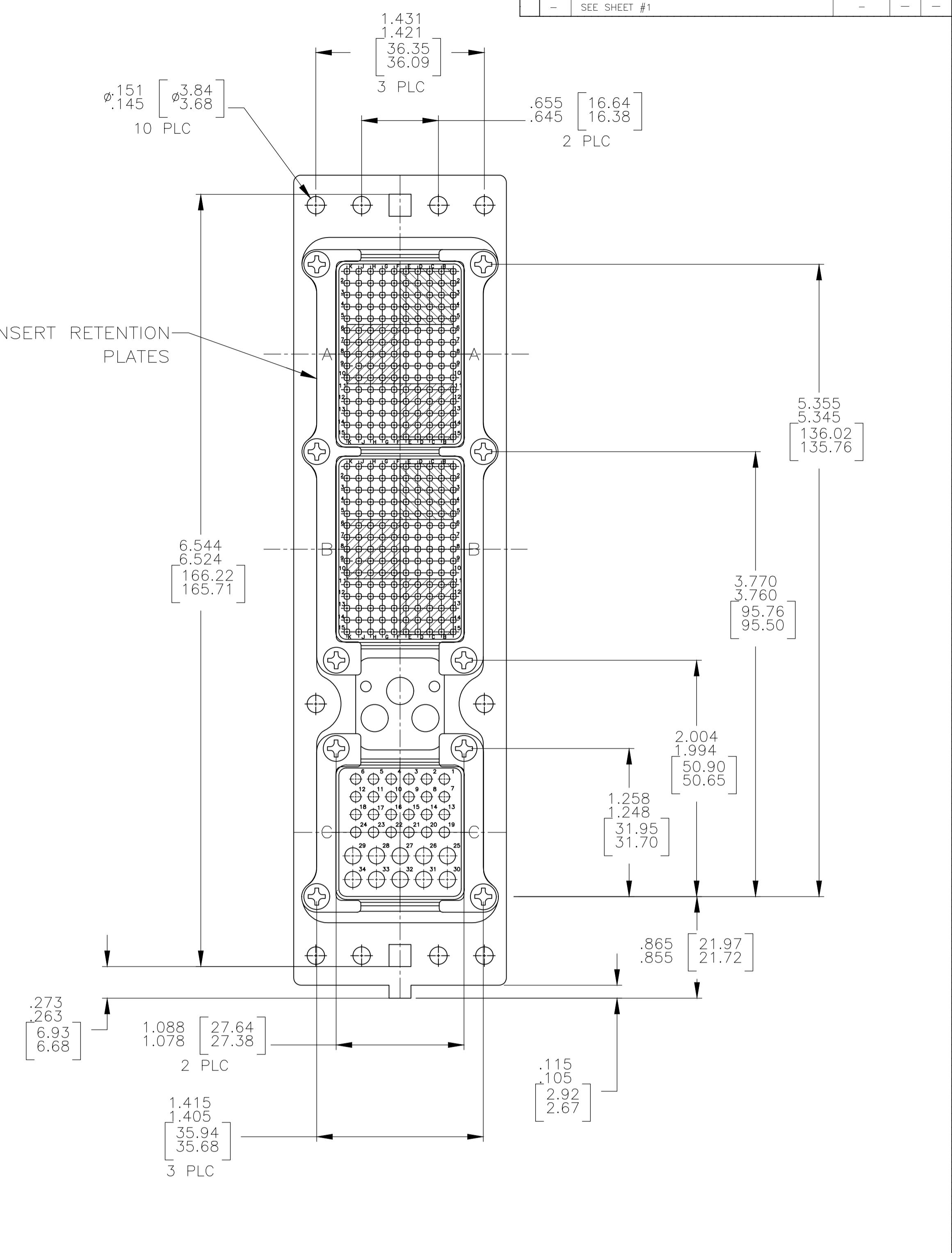
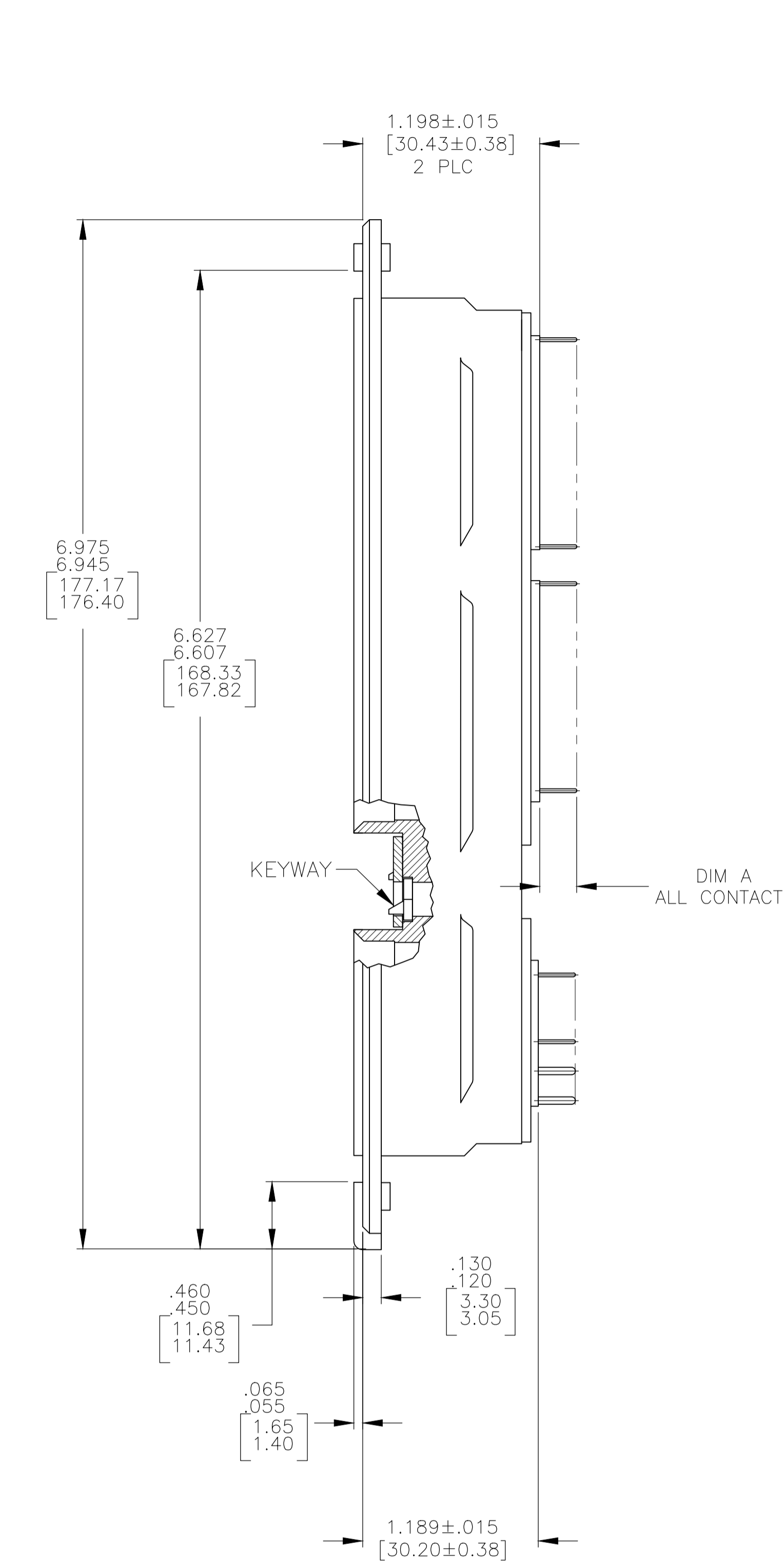
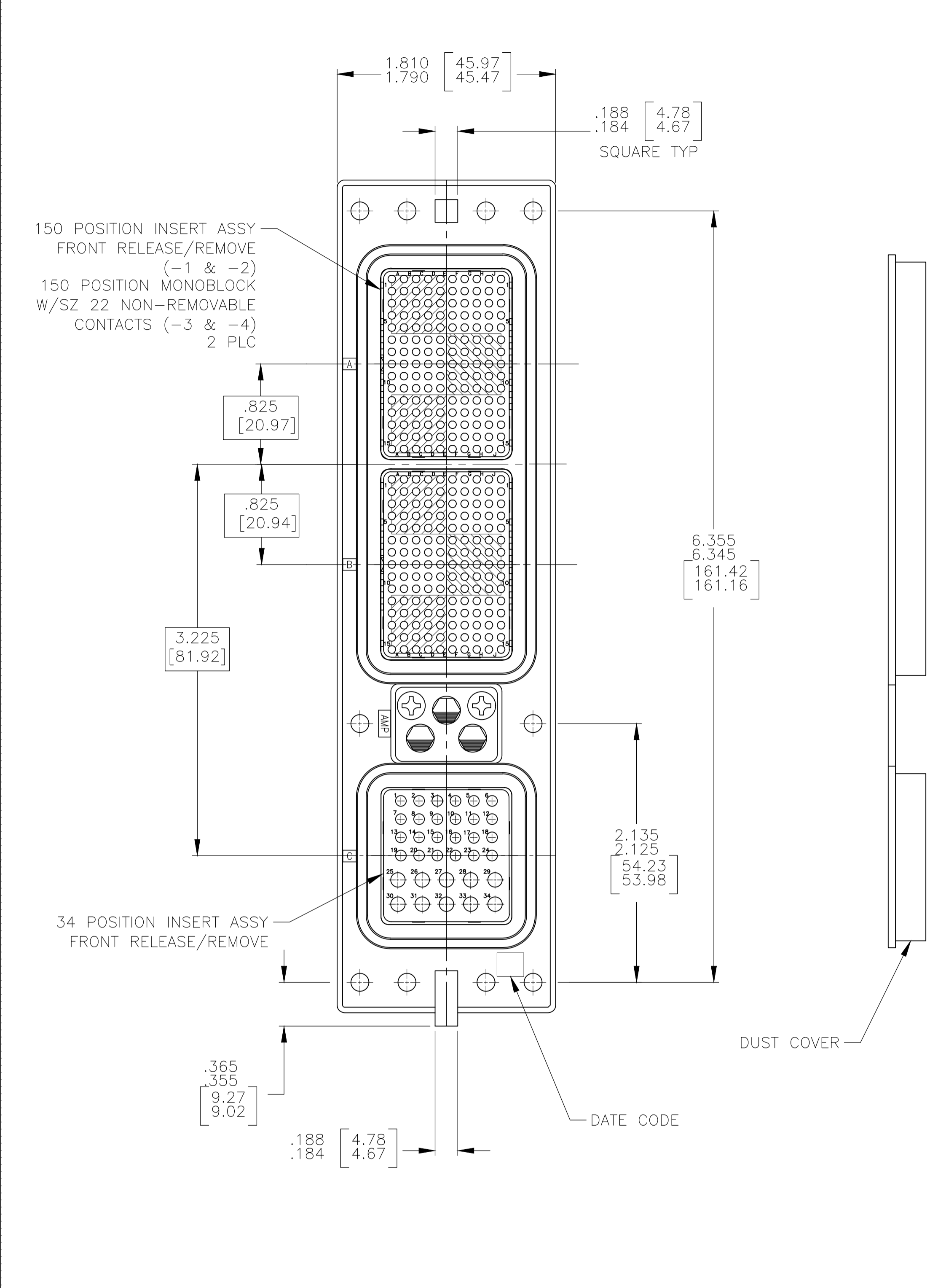
1. CONNECTOR DIMENSIONS ARE PER ARINC 600 SPECIFICATION
2. DUST COVER INSTALLED FOR SHIPPING.
3. KEYING SHOWN IN POSITION "01" FOR REFERENCE ONLY. SEE TABLE FOR KEYING POSITION. FOR POSITION "00" KEYING SHIPPED UNASSEMBLED.
4. CONTACTS NOT SHOWN IN FRONT AND REAR VIEWS FOR CLARITY.

COMPONENT	MATERIAL	FINISH
SHELL	DIE CAST ALUMINUM PER ASTM-B-85	SEE TABLE
INSERT RETENTION PLATES	ALUMINUM ALLOY PER ASTM-B-209	SEE TABLE
SCREWS	STEEL OR STAINLESS STEEL	PASSIVATED
POLARIZING KEYS	ZINC ALLOY PER ASTM-B-86	-
POLARIZING KEY RETAINING PLATE	ALUMINUM ALLOY PER ASTM-B-209	BLUE ANODIZED PER MIL-A-8625
INSERTS	THERMOSET OR THERMOPLASTIC PPS PER MIL-M-24519	-
DUST COVER	CONDUCTIVE THERMOPLASTIC	-

PRELIMINARY NOT RELEASED FOR PRODUCTION	.270 [6.86]	ELECTROLESS NICKEL PER MIL-C-26074, CLASS 3 OR 4 GRADE B	"02"	MODULE A 150 POSITION MONOBLOCK WITH NON-REMOVABLE CONTACTS MODULE B 150 POSITION MONOBLOCK WITH NON-REMOVABLE CONTACTS MODULE C 1-448138-5 (SZ 20 POSTED PIN CONTACT; QTY=24) 1-448139-1 (SZ 16 POSTED PIN CONTACT; QTY=10)	1883927-4
PRELIMINARY NOT RELEASED FOR PRODUCTION	.270 [6.86]	ELECTROLESS NICKEL PER MIL-C-26074, CLASS 3 OR 4 GRADE B	"01"	MODULE A 150 POSITION MONOBLOCK WITH NON-REMOVABLE CONTACTS MODULE B 150 POSITION MONOBLOCK WITH NON-REMOVABLE CONTACTS MODULE C 1-448138-5 (SZ 20 POSTED PIN CONTACT; QTY=24) 1-448139-1 (SZ 16 POSTED PIN CONTACT; QTY=10)	1883927-3
	.375 [9.53]	ELECTROLESS NICKEL PER MIL-C-26074, CLASS 3 OR 4 GRADE B	"00"	MODULE A 211431-6 (SZ 22 POSTED SOCKET CONTACT; QTY=150) MODULE B 211431-6 (SZ 22 POSTED SOCKET CONTACT; QTY=150) MODULE C 2-448138-3 (SZ 20 POSTED PIN CONTACT; QTY=24) 1-448139-8 (SZ 16 POSTED PIN CONTACT; QTY=10)	1883927-2
PRELIMINARY NOT RELEASED FOR PRODUCTION	.250 [6.35]	CHEMICAL COVERSION COATING PER MIL-C-5541, CLASS 1A	"01"	MODULE A 211431-4 (SZ 22 POSTED SOCKET CONTACT; QTY=150) MODULE B 211431-4 (SZ 22 POSTED SOCKET CONTACT; QTY=150) MODULE C 1-448138-2 (SZ 20 POSTED PIN CONTACT; QTY=24) 1-448139-4 (SZ 16 POSTED PIN CONTACT; QTY=10)	1883927-1
	DIM A REF CONTACT LENGTH	SHELL FINISH REF	KEYING POSITION	CONTACTS INCLUDED AND INSTALLED	PART NUMBER

THIS DRAWING IS A CONTROLLED DOCUMENT.		DIN C.C.THOMAS 2-7-07		 TE Connectivity	
DIMENSIONS: INCHES [mm]		TOLERANCES UNLESS OTHERWISE SPECIFIED:			
		0 PLC ± - 1 PLC ± - 2 PLC ± - 3 PLC ± - 4 PLC ± - ANGLES ± -		RCPT ASSY, SIZE 2, ARINC 600 (150/150/34)	
MATERIAL SEE TABLE		FINISH SEE TABLE		SIZE: A1 CAGE CODE: 00779 DRAWING NO: 1883927	
CUSTOMER DRAWING				SCALE: 3:2	SHEET 1 OF 2

LOC		DIST		REVISIONS			
P	LTR	DESCRIPTION	DATE	DNW	APVD		
-	-	SEE SHEET #1	-	-	-	-	-



THIS DRAWING IS A CONTROLLED DOCUMENT.		DIN C.C.THOMAS 2-7-07	TE Connectivity
DIMENSIONS: INCHES [mm]		CHK K.HOGAN 3-27-07	
TOLERANCES UNLESS OTHERWISE SPECIFIED:		APVD K.HOGAN 3-27-07	NAME RCPT ASSY, SIZE 2, ARINC 600 (150/150/34)
0 PLC ± -	1 PLC ± -	APPLICATION SPEC	SIZE A1
2 PLC ± -	3 PLC ± -	WEIGHT	CAGE CODE 00779
4 PLC ± -	ANGLES ± -	FINISH	DRAWING NO. 1883927
MATERIAL SEE TABLE	FINISH SEE TABLE	CUSTOMER DRAWING	RESTRICTED TO
		SCALE 3:2	SHEET 2 OF 2
		REV D	