

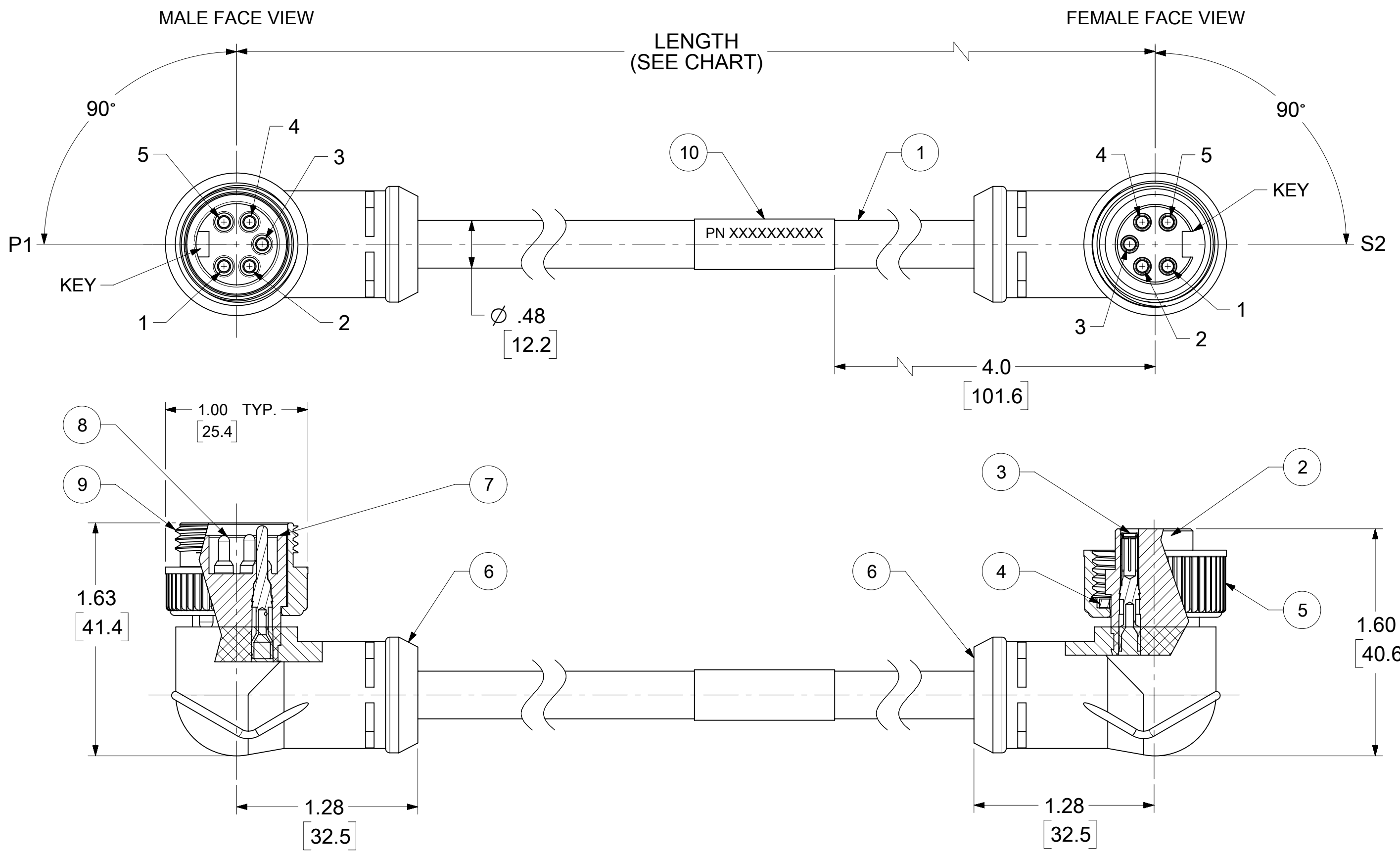
MATERIAL NO.	ENGINEERING NO.	FINISHED LENGTH
1300250196	DN99A-M006	1 FT 11.6 IN [0.6M]
1300250197	DN99A-M010	3 FT 3.3 IN [1.0M]
1300250220	DN99A-M400	131 FT 2.8 IN [40.0M]
1300250223	DN99A-M750	246 FT [75.0M]

### PART NO. LEGEND

DN99A-M010

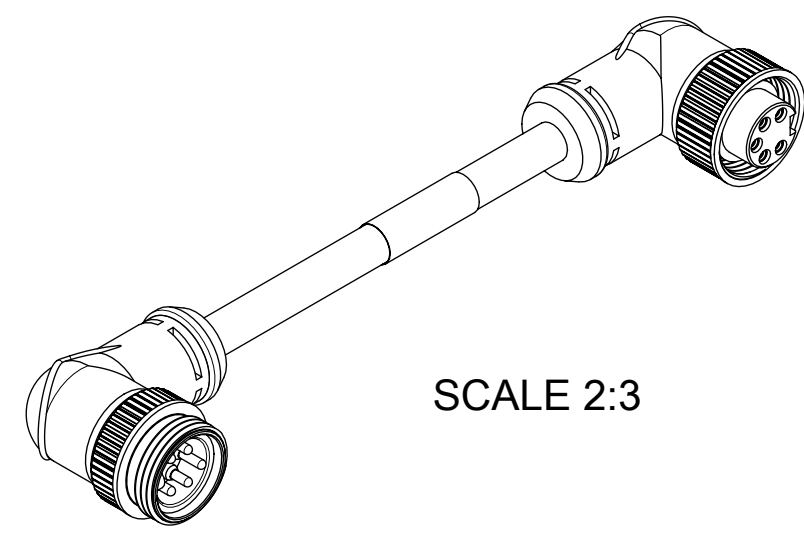
FINISHED LENGTH  
M005= 0.5 METER  
M010= 1 METER  
M100= 10 METER

CABLE LENGTH TOLERANCES	
<.3M [1FT]:	+19mm-0 [+1.75in-0]
.3 - .9M [1 - 3FT]:	+44.5mm-0 [+1.75in-0]
.9 - 1.8M [3 - 6FT]:	+55.6mm-0 [+2.19in-0]
1.8 - 3.7M [6 - 12FT]:	+88.9mm-0 [+3.50in-0]
3.7 - 7.3M [12 - 24FT]:	+165.1mm-0 [+6.50in-0]
7.3-14.6M [24 - 48FT]:	+317.5mm-0 [+12.50in-0]
14.6 - 30.5M [48-100FT]:	+622.3mm-0 [+24.50in-0]
OVER 30M [100FT]:	+2% OF FINISHED LENGTH



- NOTES:
- MATERIAL: AS NOTED
  - FINISH: AS NOTED
  - ELECTRICAL SPECIFICATIONS  
VOLTAGE RATING: 300V PER IEC60664  
300V PER UL2238  
CURRENT RATING: 4A
  - TEMP RANGE: -20°C TO +80°C
  - COUPLING THREAD: 7/8-16 UN
  - PROTECTION: IP67 (WHEN MATED)
  - UL RECOGNIZED FILE: E152210  
CSA CERTIFIED FILE: LR6837
  - ALL DIMENSIONS ARE FOR REFERENCE UNLESS TOLERANCED OR NOTED OTHERWISE

10	9	8	7	6	5	4	3	2	1
ITEM	DESCRIPTION	MATERIAL	FINISH						
10	LABEL	VINYL	BLACK/YELLOW						
9	COUPLING NUT, MALE	ZINC DIE CAST	BLACK E-COAT						
8	CONTACT PIN	BRASS	GOLD PLATED						
7	INSERT, MALE, 5 POLE	TPE	BLACK						
6	OVERMOLDS	TPE	GRAY						
5	COUPLING NUT, FEMALE	ZINC DIE CAST	BLACK E-COAT						
4	FRICTION RING	NYLON	WHITE						
3	CONTACT SOCKET	BRASS	GOLD PLATED						
2	INSERT, FEMALE, 5 POLE	TPE	BLACK						
1	CABLE, DEV-NET, TRUNK, 18/2, 15/2	PVC JACKET	GRAY						



FUNCTIONAL SYMBOLS	THIS DRAWING CONTAINS INFORMATION THAT IS PROPRIETARY TO MOLEX ELECTRONIC TECHNOLOGIES, LLC AND SHOULD NOT BE USED WITHOUT WRITTEN PERMISSION										
	DIMENSION UNITS		SCALE		CURRENT REV DESC: INSERT COLOR WAS GRAY						
	INCH/MM		1.5:1								
	GENERAL TOLERANCES (UNLESS SPECIFIED)										
DIVISIONAL SYMBOLS	4 PLACES		±		MM		INCH		EC NO: 702517		
	3 PLACES		±						DRWN: RSTONE 2022/04/07		
	2 PLACES		±						CHK'D: MZIELINSKI 2022/04/08		
	1 PLACE		±						APPR: BWOODMAN 2022/04/12		
0 PLACES		±						INITIAL REVISION:			
ANGULAR TOL		± °						DRWN: R. STONE 2009/05/11			
DRAFT WHERE APPLICABLE MUST REMAIN WITHIN DIMENSIONS								APPR: JFMURPHY 2009/05/15			
THIRD ANGLE PROJECTION								DRAWING SERIES			
C-SIZE								130025			
DOCUMENT STATUS				P1		RELEASE DATE		2022/04/12 20:40:51			
SD-130025-003				PSD		001		B1		MINI-CHANGE CORDSET, A SIZE 5 POLE, MALE-FEMALE, 90/90 DEG, SINGLE KEY, 15/18 AWG, DEVICE NET	
GENERAL MARKET				1 OF 1						PRODUCT CUSTOMER DRAWING DOCUMENT NUMBER: SD-130025-003 DOC TYPE: PSD DOC PART: 001 REVISION: B1 MATERIAL NUMBER: GENERAL MARKET CUSTOMER: GENERAL MARKET SHEET NUMBER: 1 OF 1	