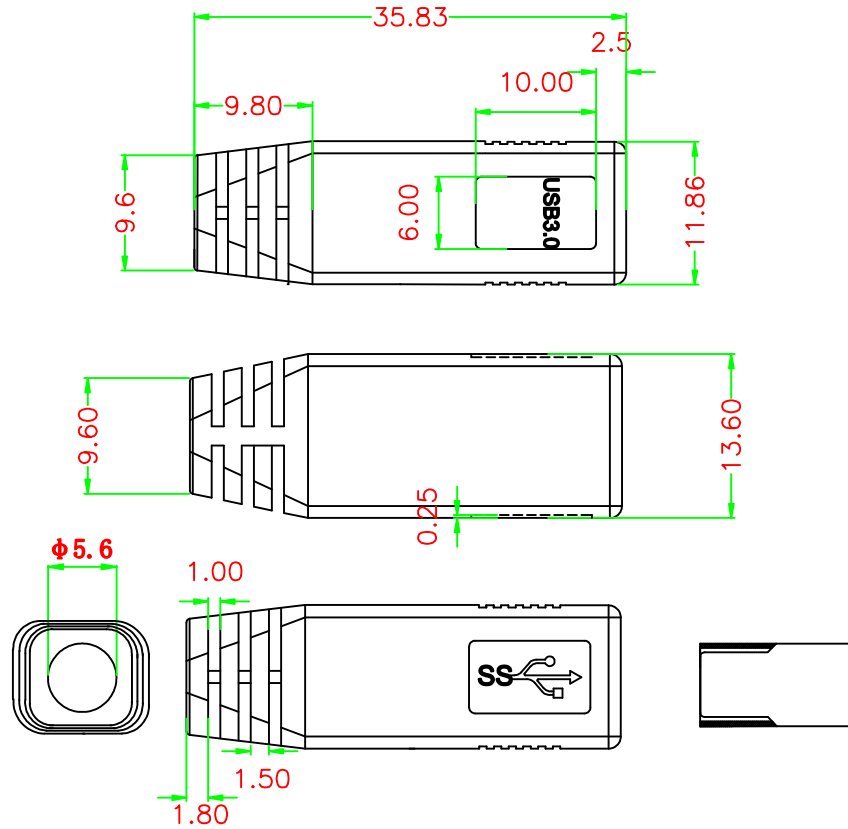


UNIT:MM

REVISION INFORMATION

Rev.	Rev. Date	Modified By	Brief Description
B/O	19-05-06	T0503A	NEW DRAWING



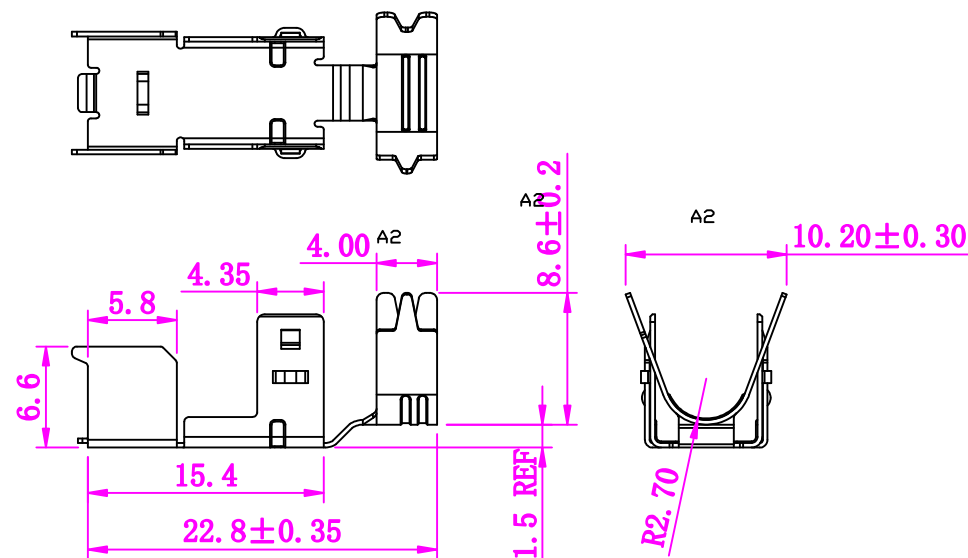
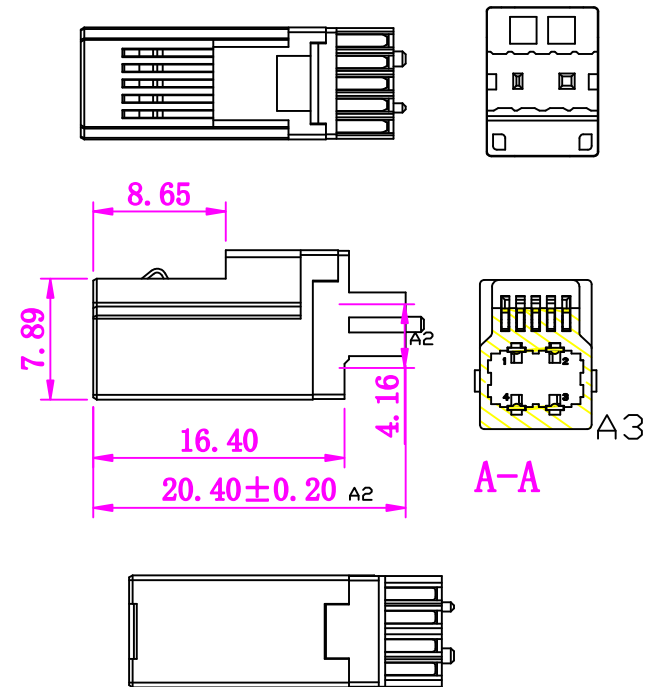
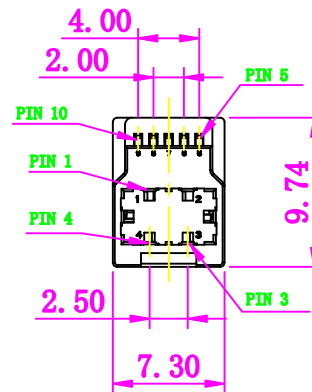
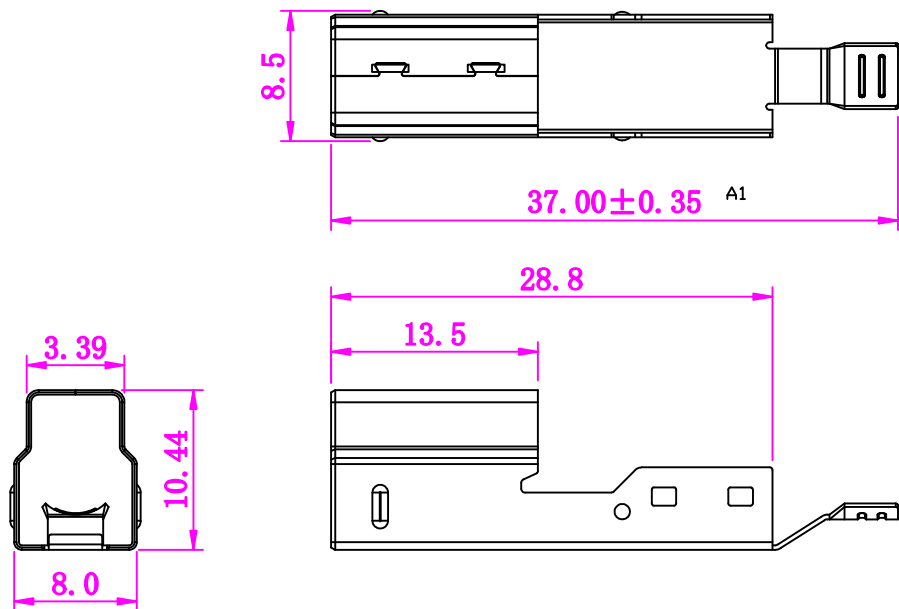
PART NO

1003-002-BL-KIT

CnC Tech, LLC
Industrial Cable and Connector Technology

DRAWN BY:	DATE: 2019/05/06	DESCRIPTION: USB 3.0 B/M 30u"
CHECKED BY:	SHEET 1 of 2	ITEM NO. As above
APPROVED BY:	SCALE 1:1	REV. B/O UNIT: mm

NO.	NAME	QTY	SPECIFICATION
④	PE BAG	1/200	CLEAR SIZE:300X400X0.05mm PRINT BLACK"MADE IN CHINA"+"200PCS"
③	PE BAG	1	CLEAR SIZE:60X80X0.05mm PRINT BLACK"MADE IN CHINA"+"1PC"
②	OUT JACKET	1	
①	CONN	1set	USB 3.0 CONNECTOR AND HOOD, SOLDER ASSEMBLY B TYPE, 30U", 4 PCS PER BAG



Specifications:

1. Current Rating: 1.0A at 30V AC.
2. Withstanding Voltage: 300V AC for one minute.
3. Insulation Resistance: 100MΩ Min.
4. Contact Resistance: 30mΩ Max.
5. Mating Force: 3.57kgf Max.
6. Unmating Force: 1.02kgf Min.

CnC Tech, LLC
Industrial Cable and Connector Technology

DRAWN BY:	DATE: 2019/04/20	DESCRIPTION: USB 3.0 B/M 30u"	
CHECKED BY:	SHEET 2 of 2	ITEM NO. As above	
APPROVED BY:	SCALE 1:1	REV. B/0	UNIT: mm