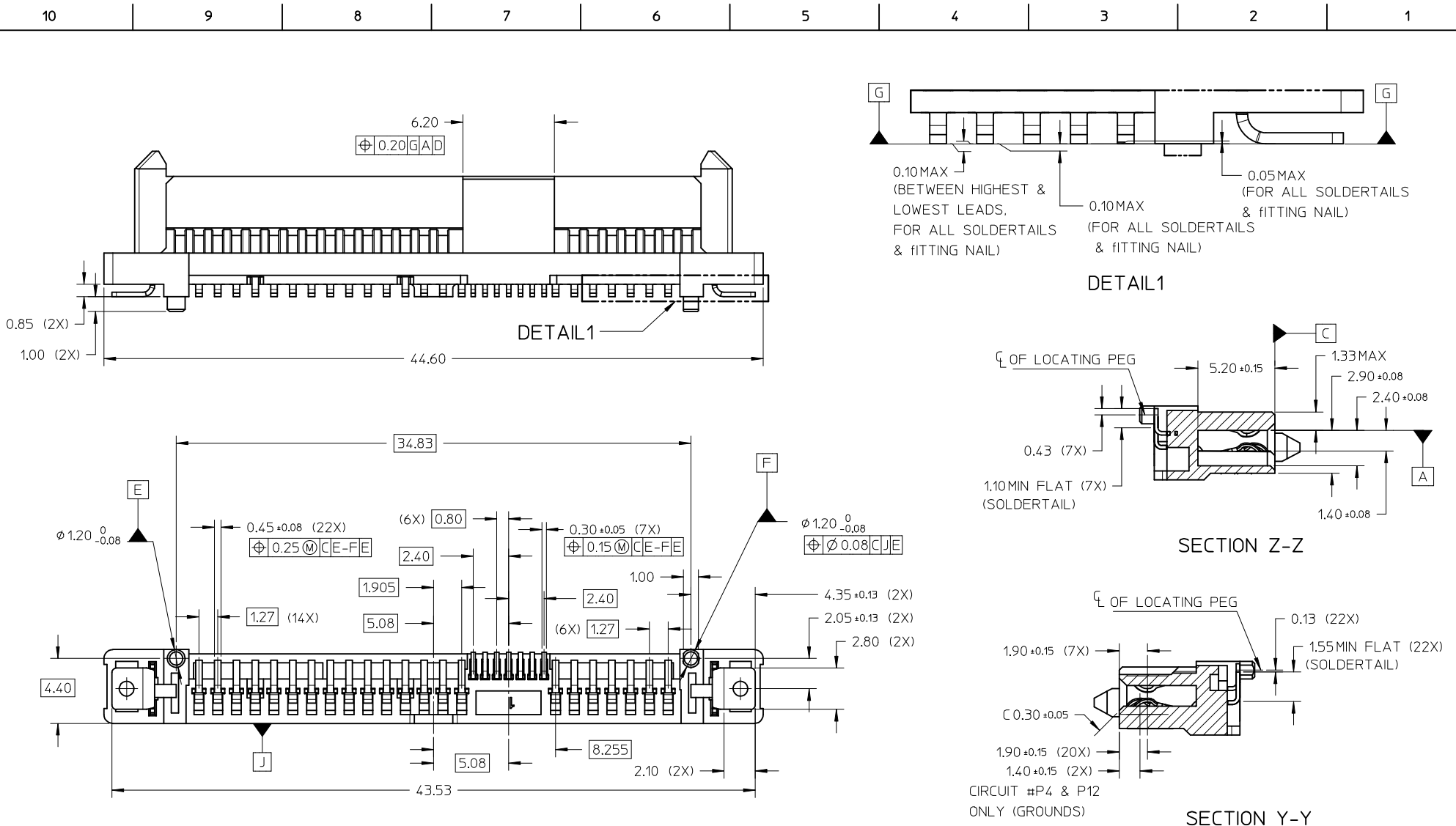


NOTE:

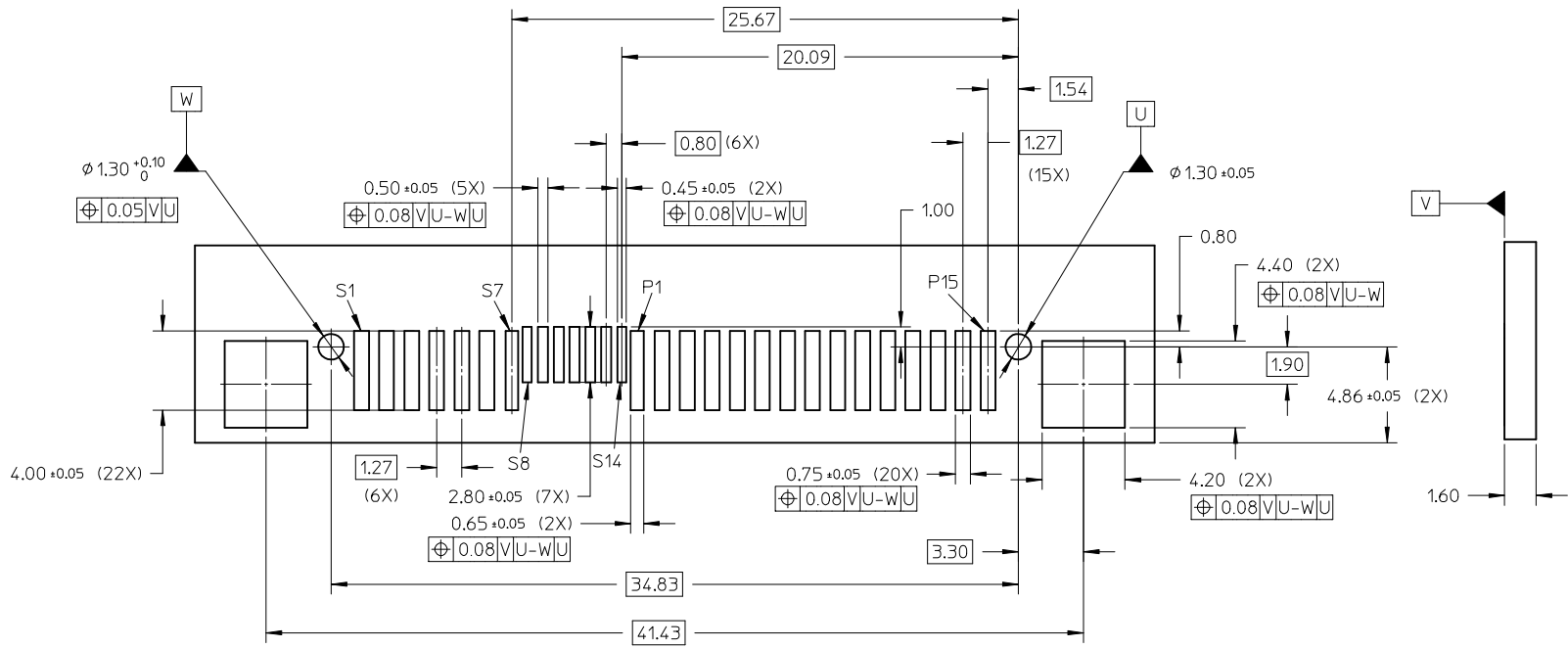
1. MATERIAL:
HOUSING: LCP, GLASS FILLED, UL94V-0, COLOR: BLACK
TERMINAL & FITTING NAIL: COPPER ALLOY
PICK & PLACE CAP: NYLON, UL94V-0, COLOR: BLACK
2. FINISHES:
CONTACT: 0.764µm MIN. SELECTIVE GOLD OVER
1.27µm MIN. NICKEL UNDERPLATE
SOLDERTAIL: 2.54µm MIN. TIN OVER
1.27µm MIN. NICKEL UNDERPLATE
3. PRODUCT SPECIFICATION: PS-78795-001
4. PACKAGING SPECIFICATION: PK-78795-001
5. DATE CODE AND MOLEX LOGO TO BE LOCATED APPROXIMATELY AS SHOWN
6. PRODUCT IS COMPLIANT TO RoHS DIRECTIVE WITH THE FOLLOWING BANNED SUBSTANCES -
LEAD, MERCURY, CADMIUM, HEXAVALENT CHROMIUM, POLYBROMINATED BIPHENYL AND POLYBROMINATED DIPHENYL ETHERS
7. REFER TO AS-78715-001 FOR PCB ROUTING RECOMMENDATIONS.

RELEASED TO REV A EC NO: S2017-0037 DRWN:SKANG 2016/08/17 CHKD:CWANG25 2016/09/23 APPR:SHONG 2016/09/26	DESCRIPTION REV	QUALITY SYMBOLS	GENERAL TOLERANCES (UNLESS SPECIFIED)		DIMENSION STYLE		SCALE	DESIGN UNITS	THIRD ANGLE PROJECTION	
		$F_A = 0$ $F_G = 0$ $F_P = 0$	mm	INCH	MM ONLY	NTS	METRIC	TILE		
		4 PLACES ± --- ± --- 3 PLACES ± --- ± --- 2 PLACES ± 0.20 ± --- 1 PLACE ± --- ± --- 0 PLACE ± --- ± ---	ANGULAR ± 3 °		DRAWN BY: GMENARLY CHECKED BY: SCHEONG APPROVED BY: BOKOK DATE: 2012/10/11 DATE: 2013/01/16 DATE: 2012/11/16	SALES DRAWING SAS RECEPTACLE VERTICAL MOUNT, SMT molex				
		DRAFT WHERE APPLICABLE MUST REMAIN WITHIN DIMENSIONS	MATERIAL NO. 78795-0001		DOCUMENT NO. SD-78795-001		SHEET NO. 1 OF 3			

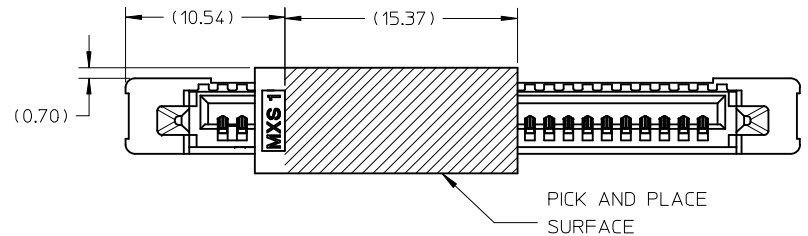
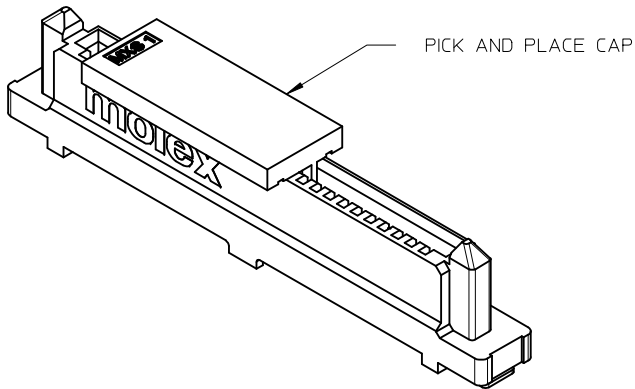
THIS DRAWING CONTAINS INFORMATION THAT IS PROPRIETARY TO MOLEX INCORPORATED AND SHOULD NOT BE USED WITHOUT WRITTEN PERMISSION



RELEASED TO REV A EC NO: S2017-0037 DRWN:SKANG 2016/08/17 CHKD:CWANG25 2016/09/23 APPR:SHONG 2016/09/26	QUALITY SYMBOLS $F_A=0$ $F_C=0$ $F_P=0$	GENERAL TOLERANCES (UNLESS SPECIFIED)		DIMENSION STYLE MM ONLY		SCALE	DESIGN UNITS	THIRD ANGLE PROJECTION		
			mm	INCH	DRAWN BY	DATE	NTS	METRIC	TITLE	
		4 PLACES	± ---	± ---	GMENARLY	2012/10/11			SALES DRAWING SAS RECEPTACLE VERTICAL MOUNT, SMT	
		3 PLACES	± ---	± ---	CHECKED BY	DATE				
								MATERIAL NO. 78795-0001		
								DOCUMENT NO. SD-78795-001		
								SHEET NO. 2 OF 3		
								THIS DRAWING CONTAINS INFORMATION THAT IS PROPRIETARY TO MOLEX INCORPORATED AND SHOULD NOT BE USED WITHOUT WRITTEN PERMISSION		



RECOMMENDED PCB LAYOUT



RELEASED TO REV A EC NO: S2017-0037 DRWN:SKANG 2016/08/17 CHKD:GWANGZS 2016/09/23 APPR:SHONG 2016/09/26	QUALITY SYMBOLS $F_A=0$ $F_G=0$ $F_P=0$	GENERAL TOLERANCES (UNLESS SPECIFIED)		DIMENSION STYLE MM ONLY		SCALE NTS	DESIGN UNITS METRIC	THIRD ANGLE PROJECTION	
			mm	INCH	DRAWN BY	DATE	TITLE		
		4 PLACES	± ---	± ---	GMENARLY	2012/10/11	SALES DRAWING SAS RECEPTACLE VERTICAL MOUNT, SMT molex		
		3 PLACES	± ---	± ---	CHECKED BY	DATE			
	± 0.20	± ---	SCHEONG	2013/01/16	MATERIAL NO. 78795-0001 DOCUMENT NO. SD-78795-001 SHEET NO. 3 OF 3				
2 PLACES	± ---	± ---	APPROVED BY	DATE					
	± ---	± ---	BOKOK	2012/11/16	THIS DRAWING CONTAINS INFORMATION THAT IS PROPRIETARY TO MOLEX INCORPORATED AND SHOULD NOT BE USED WITHOUT WRITTEN PERMISSION				
1 PLACE	± ---	± ---							
	± ---	± ---							
DRAFT WHERE APPLICABLE MUST REMAIN WITHIN DIMENSIONS		ANGULAR ± 3 °		SIZE A3					