

# Customer Information Sheet

DRAWING No.: S70-1XXXXXX45R

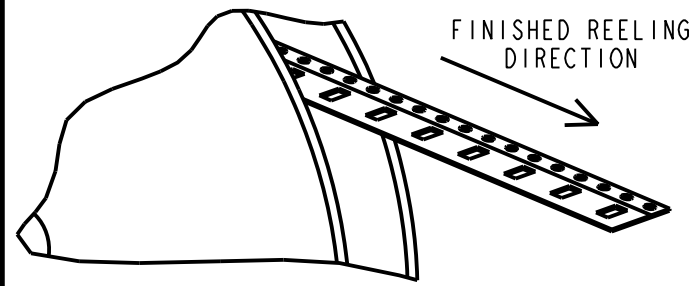
IF IN DOUBT - ASK

©

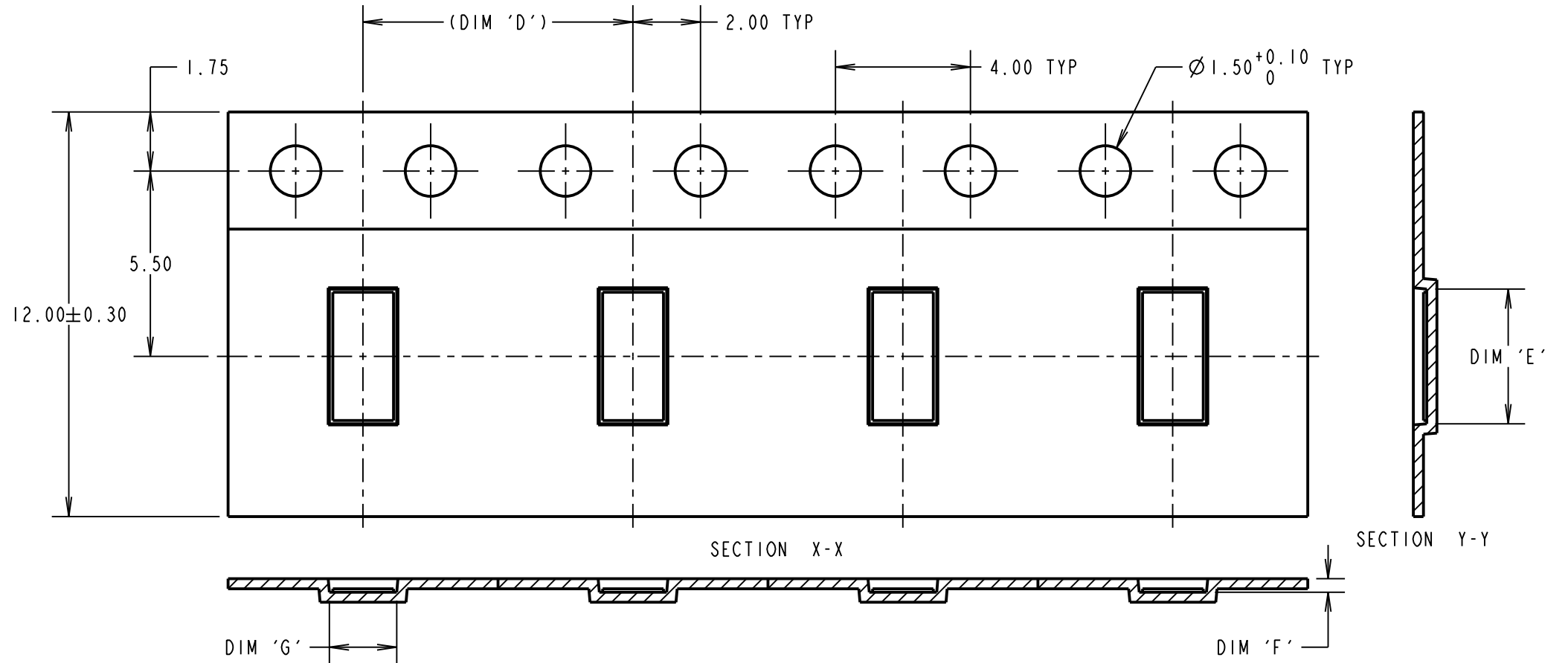
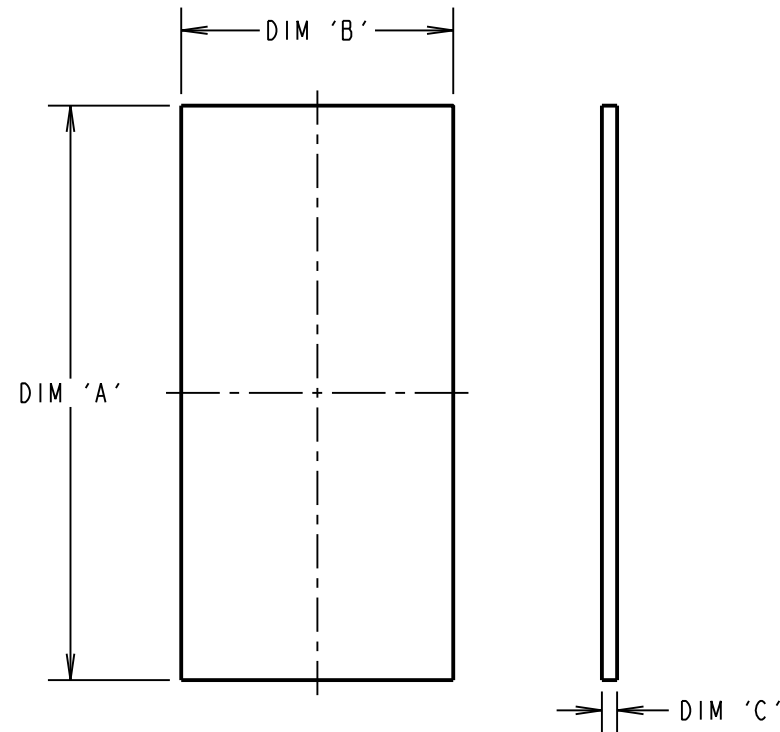
NOT TO SCALE

THIRD ANGLE PROJECTION

ALL DIMENSIONS IN mm

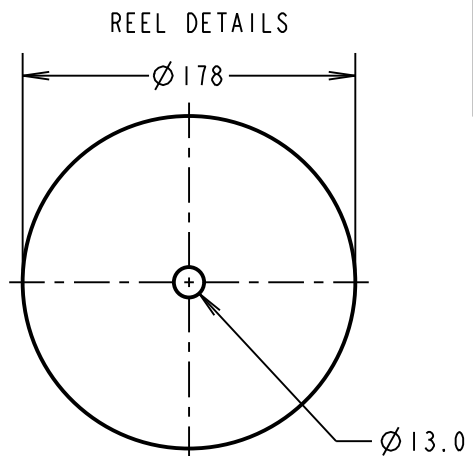
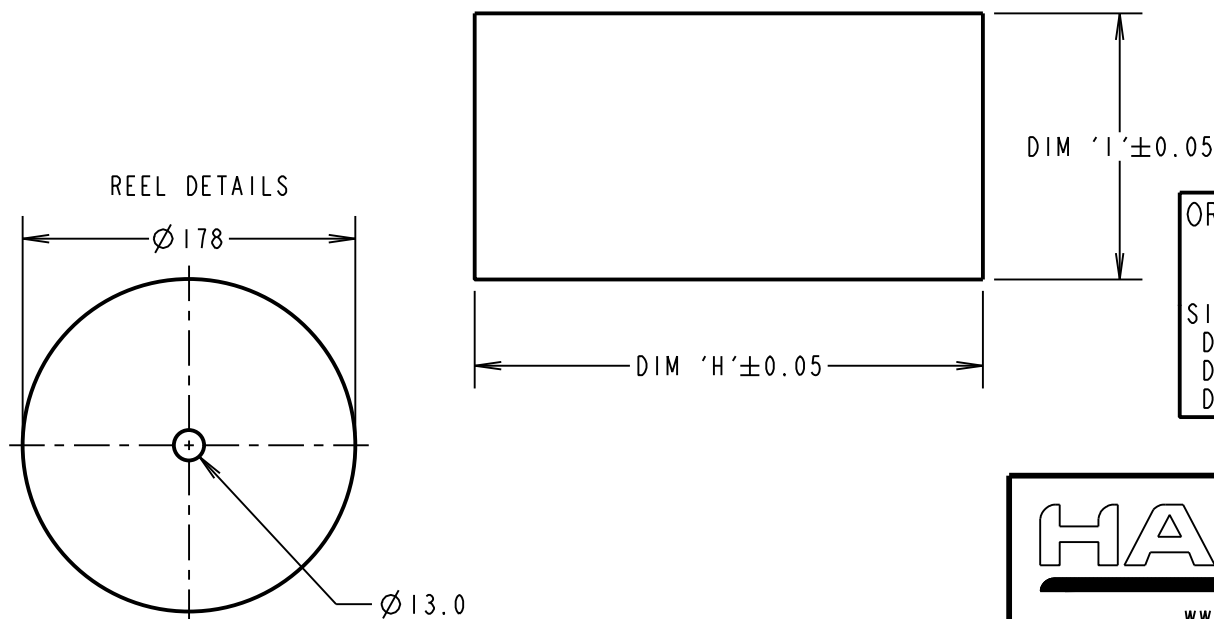


COMPONENT DETAILS



PART No.	DIM 'A'	DIM 'B'	DIM 'C'	DIM 'D'	DIM 'E'	DIM 'F'	DIM 'G'	DIM 'H'	DIM 'I'	PACK SIZE
S70-125161545R	2.50	1.60	0.15	4.00	2.70	0.50	1.80	2.90	2.00	4000
S70-138181045R	3.80	1.80	0.10	8.00	4.00	0.40	2.00	4.20	2.20	2000
S70-138305045R		3.00	0.50		4.10	0.80	3.20		3.40	

RECOMMENDED PCB LAYOUT



ORDER CODE:  
**S70-1XXXXXX45R**

SIZE:  
DIM 'A' = LENGTH  
DIM 'B' = WIDTH  
DIM 'C' = THICKNESS

SPECIFICATIONS:

FINISH:  
0.025µm - 0.075µm GOLD OVER 1.5µm - 3.0µm NICKEL

ELECTRICAL:  
CURRENT RATING = 6.0A  
CONTACT RESISTANCE = 0.15mΩ MAX

ENVIRONMENTAL:  
OPERATING TEMPERATURE = -40°C TO +180°C

NOTES:  
1. PARTS TAPE AND REELED IN GENERAL ACCORDANCE WITH EIA-481.

MGP	5	26.02.19	21803
NAME	ISS.	DATE	C/NOTE
APPROVED: MGP			
CHECKED: MR			
DRAWN: M.PERREN			
CUSTOMER REF.:			
ASSEMBLY DRG:			

**HARWIN**

www.harwin.com  
technical@harwin.com

THIS DRAWING AND ANY INFORMATION OR DESCRIPTIVE MATTER SET OUT HEREON ARE CONFIDENTIAL AND COPYRIGHT PROPERTY OF THE HARWIN GROUP AND MUST NOT BE DISCLOSED, LOANED, COPIED OR USED FOR MANUFACTURING, TENDERING OR FOR ANY OTHER PURPOSE WITHOUT THEIR WRITTEN PERMISSION.

TOLERANCES  
X. = ±1mm  
X.X = ±0.50mm  
X.XX = ±0.20mm  
X.XXX = ±0.01mm  
ANGLES = ±5°  
UNLESS STATED

MATERIAL:  
BERYLLIUM COPPER

FINISH: SEE ABOVE

S/AREA: mm<sup>2</sup>

TITLE:  
SMT POGO PIN CONTACT PAD

DRAWING NUMBER:  
**S70-1XXXXXX45R**

SHT  
2 OF 2