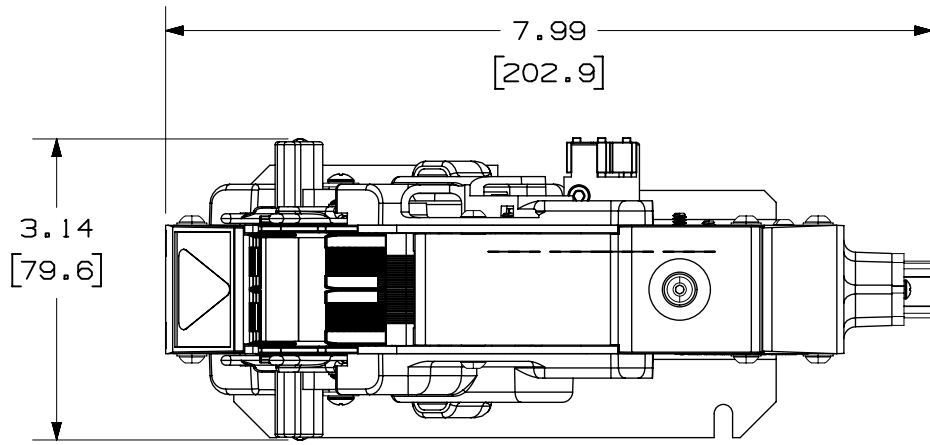
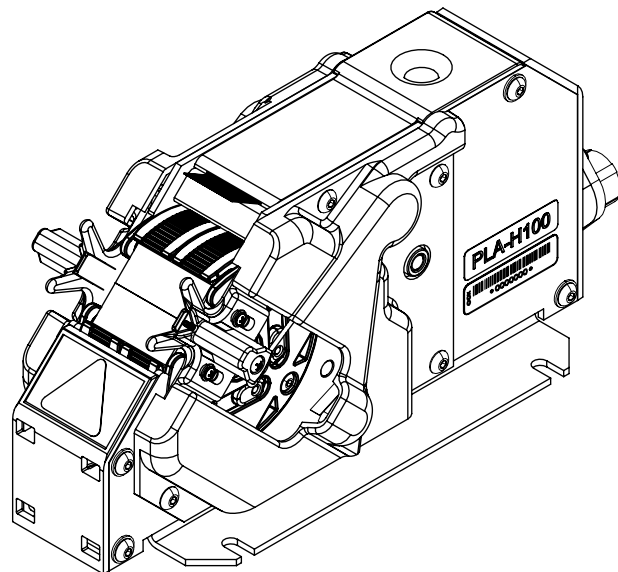
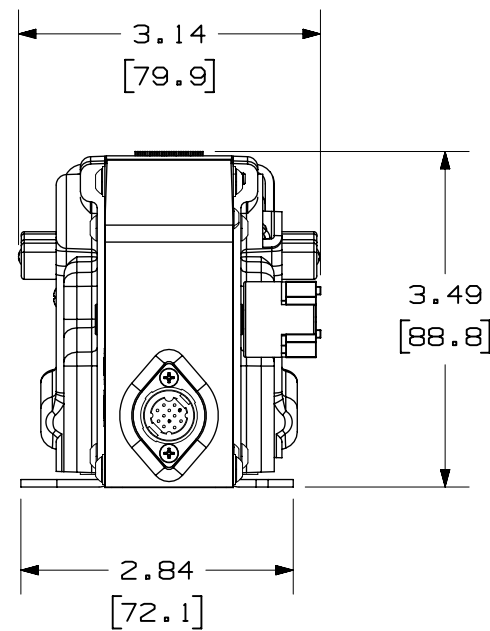
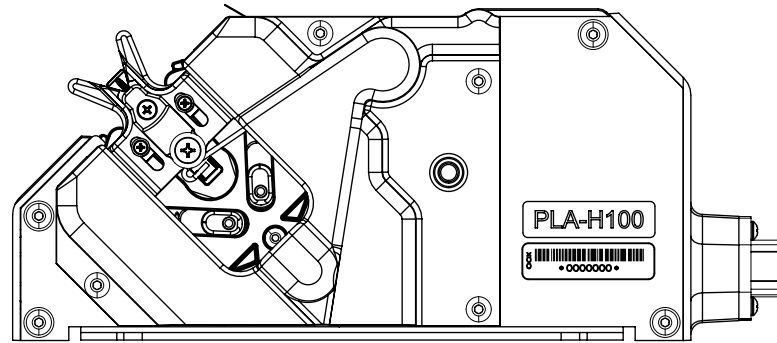


THIS COPY IS PROVIDED ON A RESTRICTED BASIS AND IS NOT TO BE USED IN ANY WAY DETRIMENTAL TO THE INTERESTS OF PANDUIT CORP.



NOTES:

1. VISIT OUR ON-LINE CATALOG AT WWW.PANDUIT.COM FOR A LIST OF CURRENT PARTS APPLICABLE FOR USE WITH THIS PRODUCT.
2. DIMENSIONS IN [ ] ARE METRIC.
3. ALL MATERIALS AND COMPONENTS USED MEET THE MATERIAL RESTRICTIONS OF RoHS (EUROPEAN DIRECTIVE 2011/65/EU ON THE RESTRICTION OF HAZARDOUS SUBSTANCES) AS PROPOSED BY THE RoHS TECHNICAL ADAPTATION COMMITTEE.
4. WEIGHT: 741 oz.
5. PART INCLUDES: PLA HEAD
6. TOLERANCES: X.X+/- 0.10"; X.XX +/- 0.010" ; X.XXX +/- 0.005"



|   |       |
|---|-------|
| WE ASK THAT YOU CHECK FULLY THE DIMENSIONS, NOTES, AND SIGN THE CLIENT SIGNATURE BOX. THE JOB WILL NOT PROGRESS WITHOUT SIGNED APPROVAL. PLEASE DO NOT DELAY IN RETURNING PROOF AS IT WILL AFFECT DELIVERY. | SIGN  |
|   | PRINT |
|   | DAE   |

|                    |          |                        |       |
|--------------------|----------|------------------------|-------|
| PART NUMBER        |          | 00129EMV               |       |
| TITLE              |          | PLA-H100               |       |
|                    |          | CUSTOMER DRAWING       |       |
| ITEM REVISION NAME |          | 00129EMV/04            |       |
| DATASET FILE NAME  |          | 00129EMV_DC_04A        |       |
|                    |          | THIRD ANGLE PROJECTION |       |
| MATERIAL           |          | XXXXXXXXXXXX           |       |
|                    |          | DRAWING NUMBER         |       |
|                    |          | 00129EMV-DC            |       |
| DRAWN BY           | DATE     | CHK                    | SCALE |
| LAH                | 09/28/20 | RDSE                   | NONE  |
| SHEET 1 OF 1       |          | SIZE                   |       |
|                    |          | B                      |       |

| REV | DATE     | BY  | CHK  | APR | DESCRIPTION     | ECN |
|-----|----------|-----|------|-----|-----------------|-----|
| 04  | 09/28/20 | LAH | RDSE | ALP | INITIAL RELEASE |     |

B-SIZE CUSTOMER