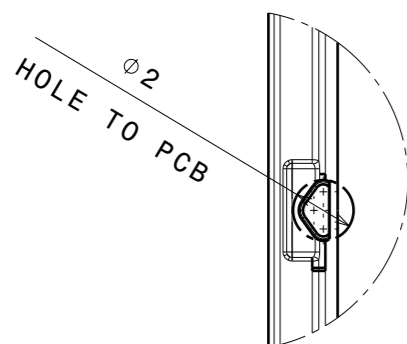


Note:
 -Beam direction shown is above lamp to ground.
 -Location pin line along roadway.

INDEX	PART NO	DESCRIPTION	MATERIAL	COLOUR
2	TAPE	PSA	PU FOAM	BLACK
1	C16168	STRADA-SQ-PX	PMMA	CLEAR

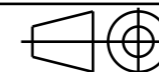


Detail A
 Scale: 4:1

Tolerances if not otherwise shown
 According to DIN ISO 2768-1
 Linear measures:
 Up to 30mm class M, otherwise class C.
 According to DIN ISO 2768-2
 Form and position: class L



Ledil Oy
 Salorankatu 10
 FIN 24240 SALO
 Finland



DRAWING TITLE
 CA16169_STRADA-SQ-PX

This drawing is the property
 of LEDiL Oy. It may not be
 reproduced, copied or
 communicated without a written
 agreement with LEDiL Oy.

SIZE PART NUMBER
 A3 CA16169

SCALE 2:1 WEIGHT 2,75 g SHEET 1/1