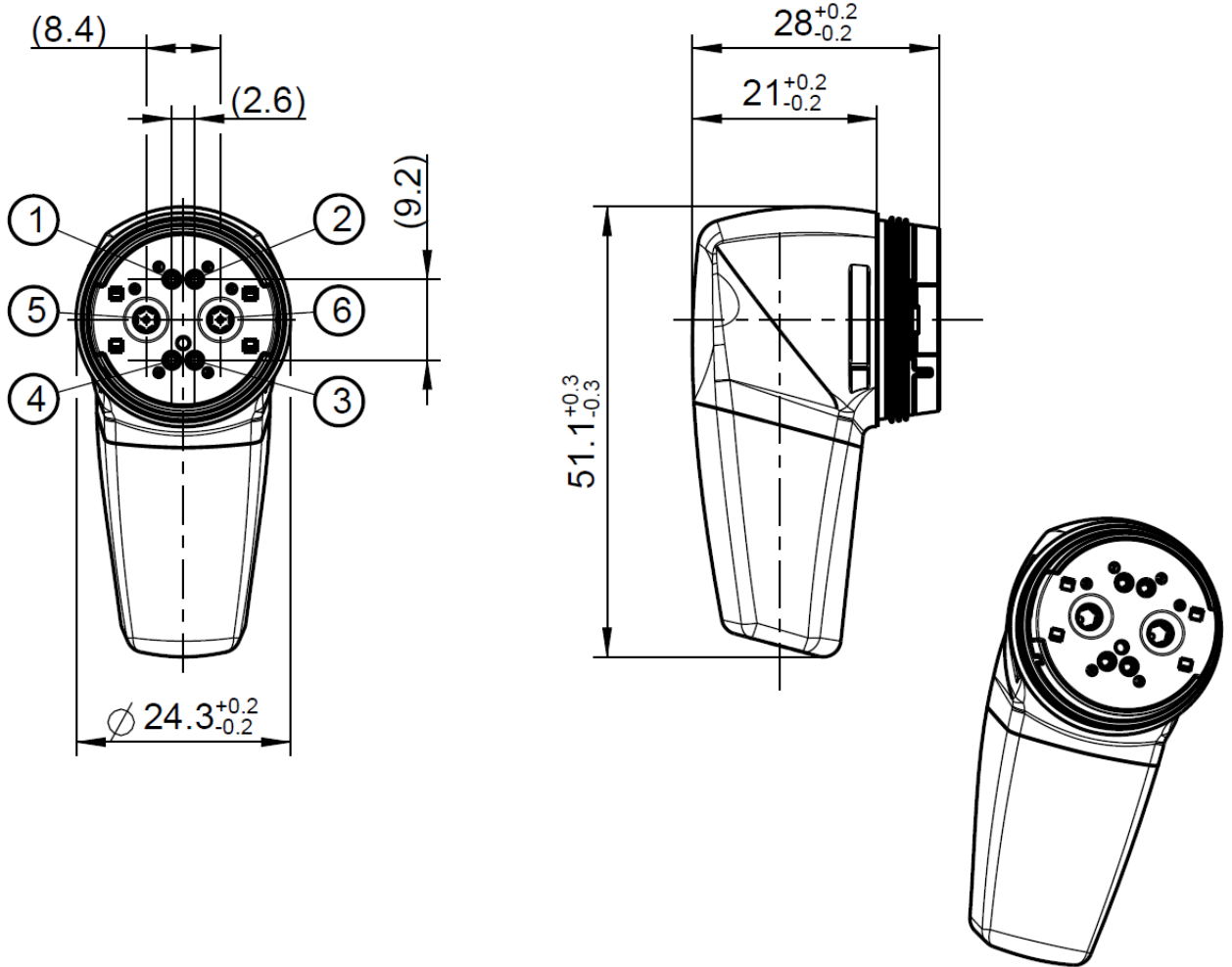


○ = pinning



All dimensions are in mm

Documents

Interface
Handling instruction

Rosenberger internal standard
HI_003

Material and plating

Parts

Housing
Dielectric
Magnets
Sealing
Bend Protection

Material

PBT-GF30 FR
PBT-GF30 FR
NdFeB
Silicone
TPU

Plating / Colour

black, sim. RAL 9005
black, sim. RAL 9005
Nickel

Pins 1-4:

Contact Pin

Brass

Gold, 0,4 µm (contact)

Pins 5-6:

Power Pin
Contact spring

Brass
Beryllium copper

White bronze (e.g. Optalloy[®]), min. 2 µm
Silver, min. 3 µm

Electrical data

Pins 1-4:

Insulation resistance ≥ 100 MΩ
Contact resistance ≤ 40 mΩ initial
Working voltage 12 V
Max. Current 3 A per pin

Pins 5-6:

Insulation resistance ≥ 100 MΩ
Power current ≤ 25 A DC
Contact resistance ≤ 7 mΩ
Working voltage ≤ 60V DC

Mechanical data

Locking mechanism magnetic
Mating cycles min. 2500
Disengagement force min. 20N
Weight 22 g

Warning!

Customer is responsible for implementing adequate safety measures:

Power supply to Pins 5 & 6 must be deactivated unless they are completely plugged in.

Power to pins 5 & 6 must only be activated upon full insertion of signal pins 1 - 4.

Misuse may damage contact!

Environmental data

Temperature range	-40°C to + 65°C
Thermal shock	DIN IEC 60068-2-14 Test Na
Temperature and humidity	DIN EN 60068-2-30 (2)
Vibration resistance	3 axes, 6h, 10Hz-180Hz, 12.38m/s ²
Mechanical Shock	DIN IEC 60068-2-27
High-Temp. Exposure	DIN IEC 60068-2-2
Dust and water resistance	DIN-EN-60529 IP 64 / IP 67; mated
Glow-wire flammability test for end-products (GWT850°C; GWT750°C)	IEC 60695-2-11:2014 (excluding dielectric)
RoHS	compliant

Suitable cables

Cable type	
Pins 1-4:	
Wire Cross Section:	0.35 mm ²
Pins 5-6:	
Wire Cross Section:	2.5 mm ²
Part Nr.:	RTK-HV01

Packing

Standard	depends on wire length
	Connector is only available with cable

Caution!

Magnets can impact the function of pace makers and implantable cardioverter-defibrillators (e.g. actuation of reed switch). Keep a minimum distance of 0,2m (20cm) between the magnetic connector and the implanted devices to prevent malfunction and danger to health.

While the information has been carefully compiled to the best of our knowledge, nothing is intended as representation or warranty on our part and no statement herein shall be construed as recommendation to infringe existing patents. In the effort to improve our products, we reserve the right to make changes judged to be necessary.

Draft	Date	Approved	Date	Rev.	Engineering change number	Name	Date
H. Kreitmaier	02.08.11	C. Biermann	25.04.23	600	23-0588	P. Bossa	25.04.23