

4

3

2

1

D

D

C

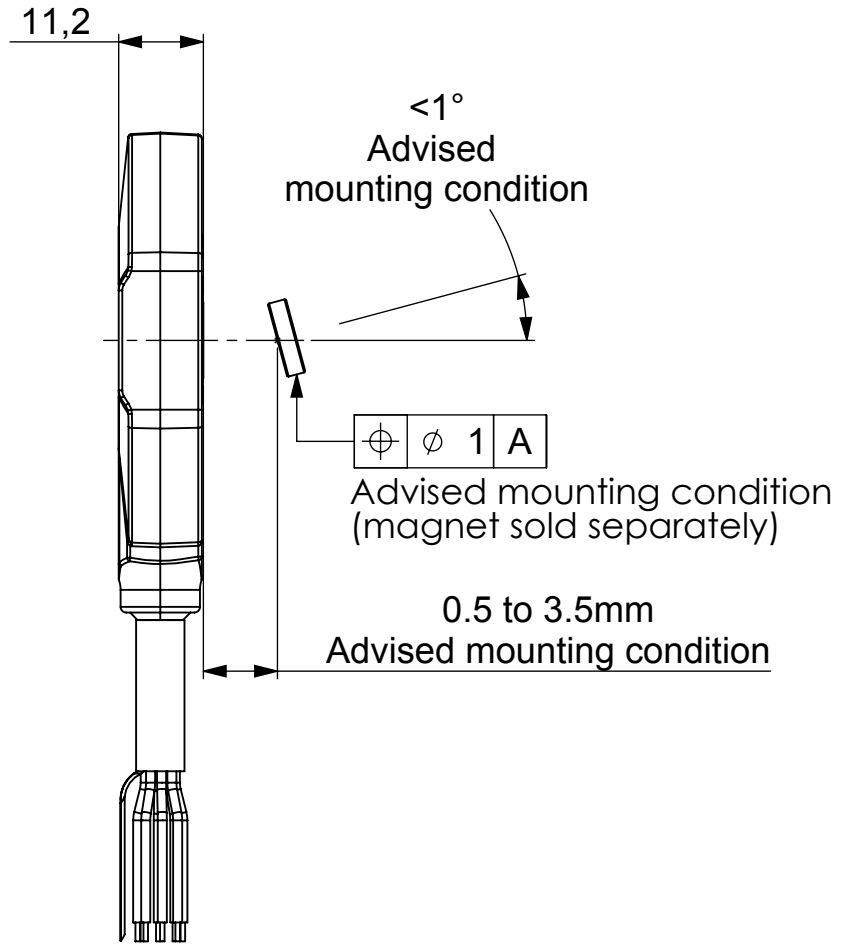
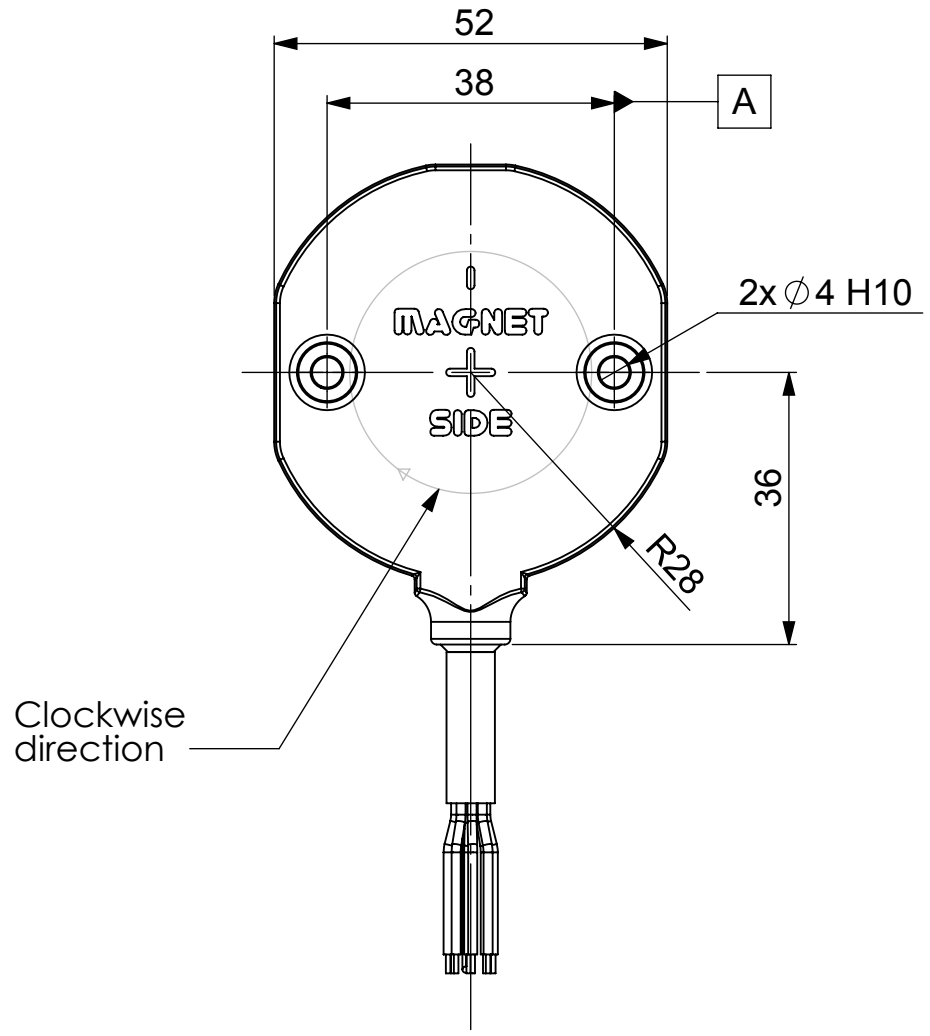
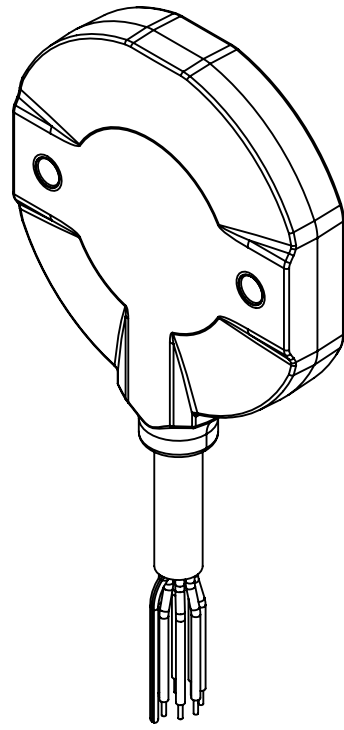
C


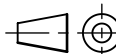
B

B

A

A



<b>UNCONTROLLED COPY</b>		 BEI SENSORS SAS Espace Européen de l'Entreprise 9, rue de Copenhague BP 70044 - F 67013 STRASBOURG Cedex Tel : +33 (0)3 88 20 81 40	
FIRST ISSUE DATE : 05/10/2018 DRAWN : HBR APPROVED : - DATE : 05/10/2018	SENSATA TECHNOLOGIES PROPRIETARY AND CONFIDENTIAL. NEITHER THIS PRINT NOR THE INFORMATION CONTAINED HEREON IS TO BE USED AGAINST THE INTERESTS OF SENSATA TECHNOLOGIES OR AGAINST THE INTERESTS OF ANY OF ITS AFFILIATED COMPANIES OR WHOLLY OWNED SUBSIDIARIES.		
ECN : -  DATE :	UNLESS OTHERWISE SPECIFIED DIMENSIONS ARE IN MILLIMETERS (INCHES) AND ARE INTENDED AS NOMINAL. SEE PRODUCT SPECIFICATION FOR MORE DETAILS.	TITLE <div style="text-align: center; font-size: 1.2em;"><b>ACW4</b></div>	
Housing material : Macromelt OM638 Flange material : Shaft material :	DO NOT SCALE DRAWING	EUROPEAN SYSTEM 	SIZE A3 DWG NO. <b>M088</b> SCALE 1/1 SOLIDWORKS SHEET 1 OF 1

4

3

2

1

DEVICE:

PROJECT: