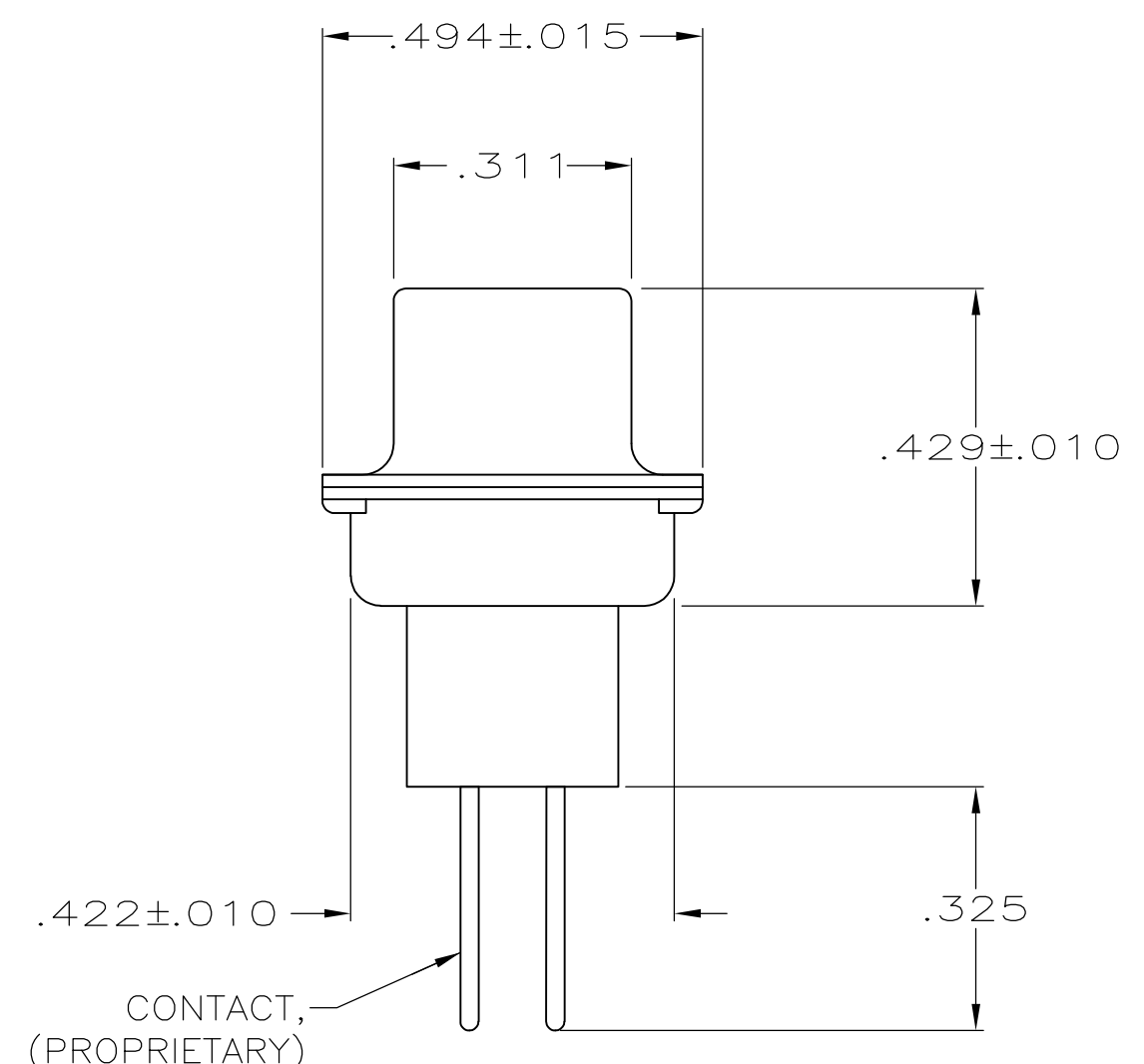
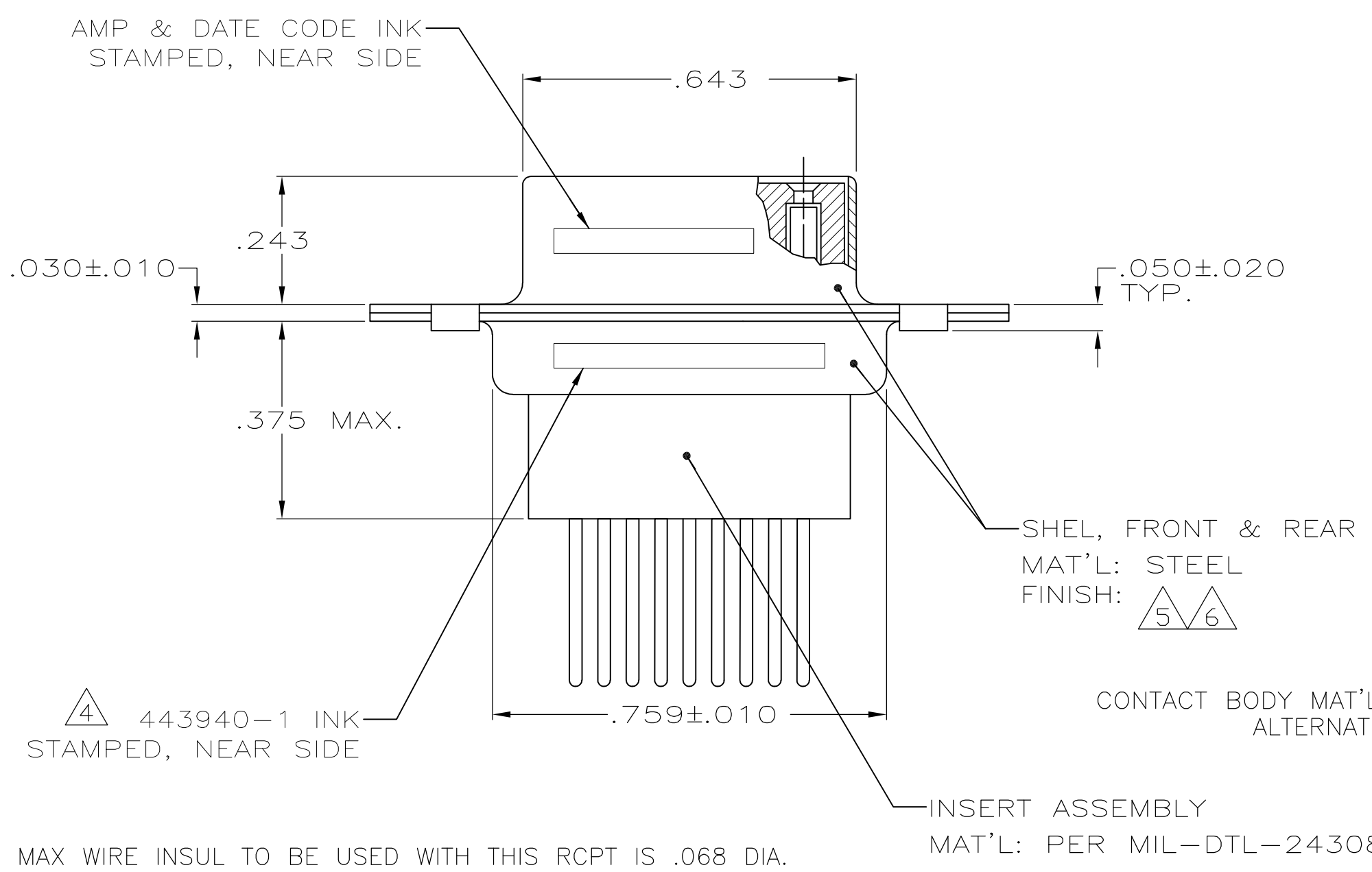
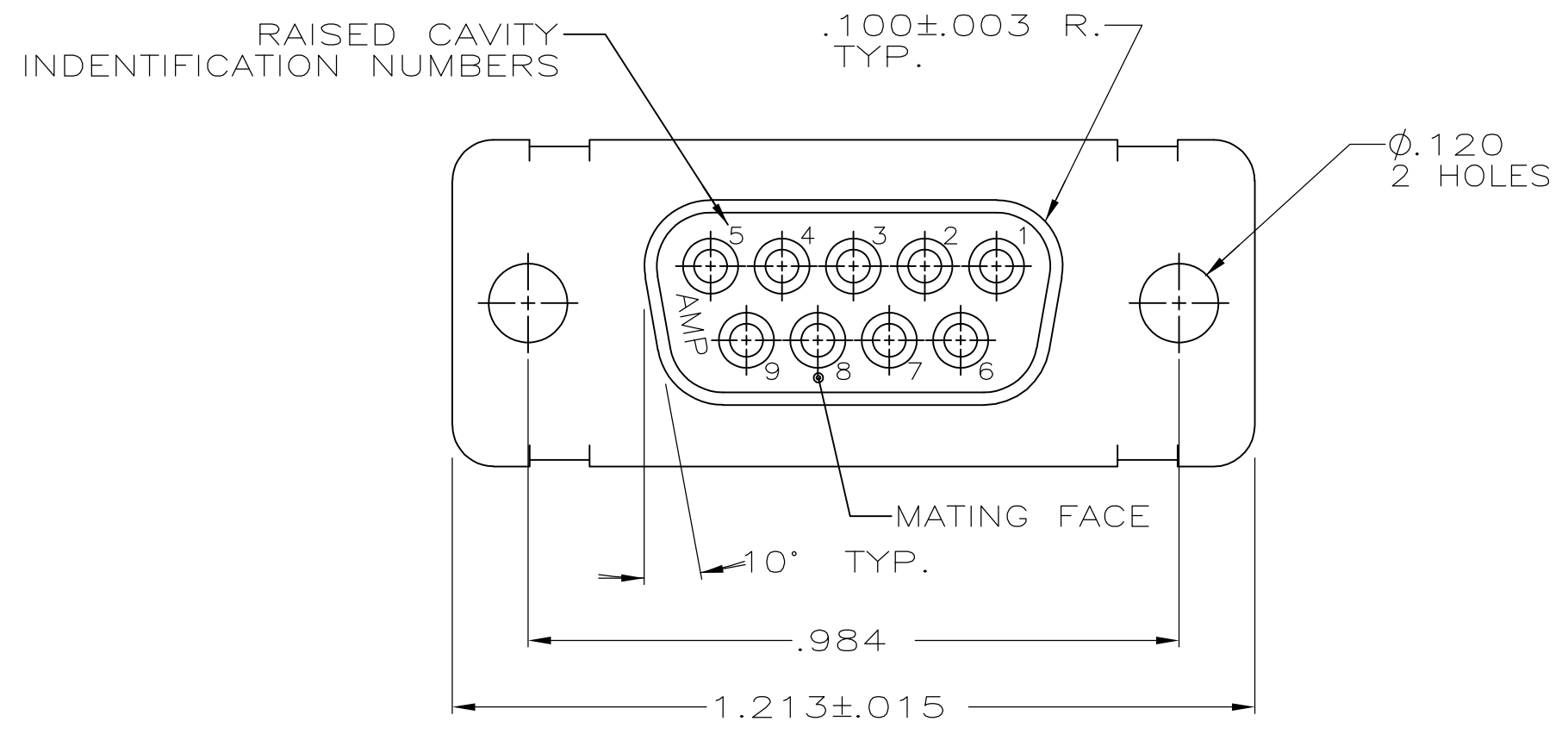


THIS DRAWING IS UNPUBLISHED. RELEASED FOR PUBLICATION
 © COPYRIGHT - By - ALL RIGHTS RESERVED.

LOC		DIST		REVISIONS			
P	LTR	DESCRIPTION	DATE	DWN	APVD		
D		REV PER ECO-15-005911	21MAY15	KG	DM		



- MAX WIRE INSUL TO BE USED WITH THIS RCPT IS .068 DIA.
- STAINLESS STEEL RETENTION CLIPS ARE INCLUDED IN INSERTS.
- THIS RCPT. WILL ACCEPT SIZE 20 SOCKET CONTACT M39029/63-368 OR ANY AMP HD-20 SOCKET CONTACT.
- AMP PART NO STAMPED ON CONNECTOR REPRESENTS KIT NUMBER WITH CONTACTS.
- FINISH: CADMIUM PER QQ-416.
- FINISH: ZINC PLATED PER ASTM-B-633 .000200-.000400 THK WITH SUPPLEMENTARY CHROMATE (Cr3+).

6	5-443940-1
5	443940-1
REMARKS	PART NO

THIS DRAWING IS A CONTROLLED DOCUMENT.		DWN	J.A.Baker	4-23-97
DIMENSIONS: INCHES		CHK	J.WEAVER	5-2-97
TOLERANCES UNLESS OTHERWISE SPECIFIED:		APVD	-	-
0 PLC ± -		PRODUCT SPEC	NAME	
1 PLC ± -		APPLICATION SPEC	CONNECTOR ASSY,AMPLIMITE,SIZE 1, 9 POSITION,SERIES 109	
2 PLC ± -			SIZE	A2
3 PLC ± .005			CAGE CODE	00779
4 PLC ± -			DRAWING NO	C=443940
ANGLES ± -		WEIGHT	RESTRICTED TO	
FINISH		CUSTOMER DRAWING		
SEE CALLOUTS		SCALE	4:1	SHEET 1 of 1
		REV	D	