

THIS DRAWING IS UNPUBLISHED.

RELEASED FOR PUBLICATION

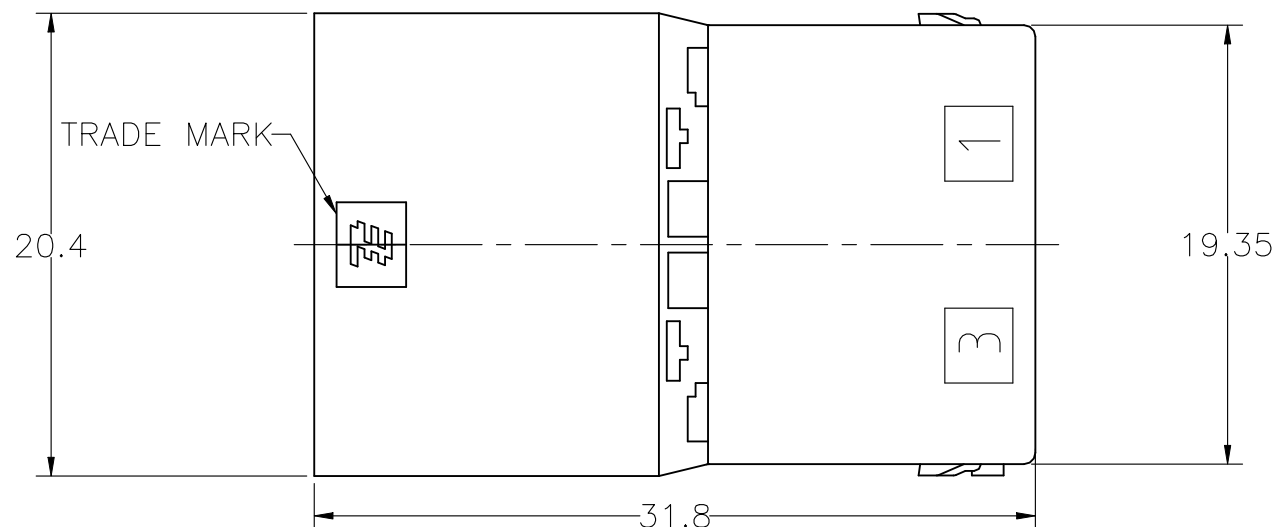
REVISIONS

変更

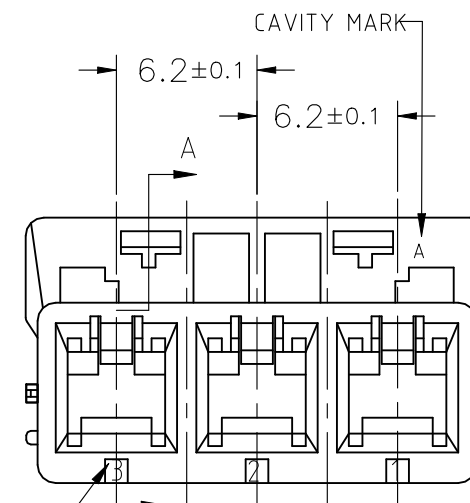
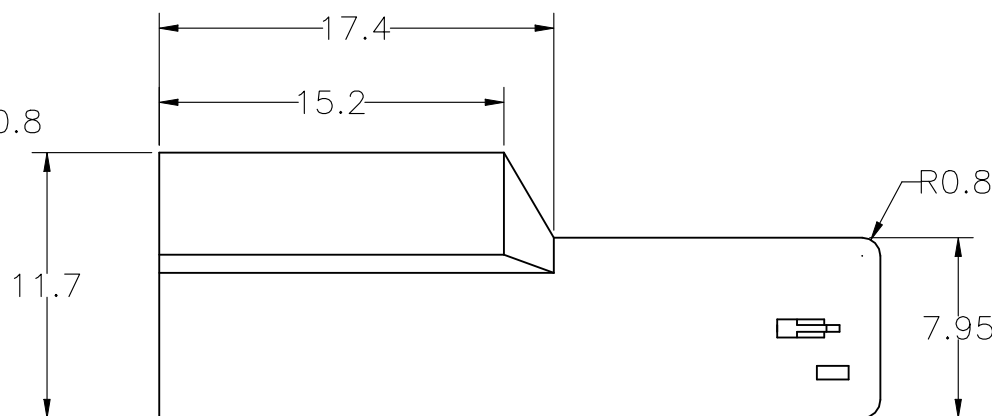
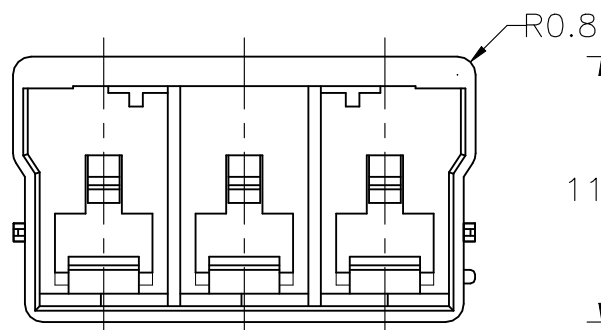
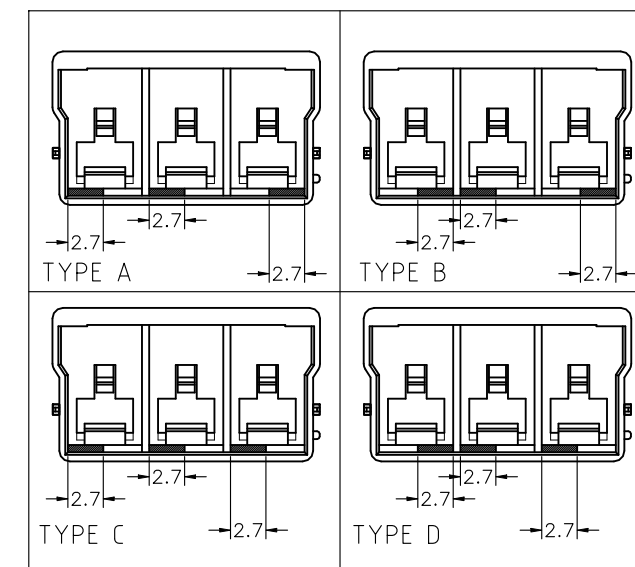
© COPYRIGHT - TE Connectivity Ltd.

ALL RIGHTS RESERVED.

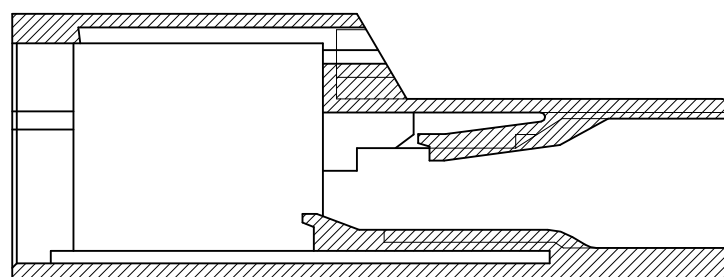
P	LTR	DESCRIPTION	DATE	DWN	APVD
	C	REVISED PER ECR-19-008563	22DEC2020	SC	D.Z



TYPE OF KEYING



回路番号  
CIRCUIT NO.



断面 A-A  
SECT A-A

- 注) 1.一般公差:±0.25  
 2.材料:66ナイロン ガラス無(UL94V-0)  
 3.適用タブコンタクト製品型番:1746973-1  
 1746974-1

- △4 かん合相手製品型番  
 プラグハウジング: TABLE参照のこと  
 リセコンタクト: 1746971-1  
 1746972-1

- NOTES)  
 1.GENERAL TOLERANCE:±0.25  
 2.MATERIAL:66 NYLON NON-GLASS FILLED (UL94V-0)  
 3.APPLICABLE TAB CONTACT P/N: 1746973-1  
 1746974-1

- △4 MATING CONN. P/N  
 PLUG HOUSING:SEE TABLE  
 REC CONTACT:1746971-1  
 1746972-1

- △5 PRELIMINARY NOT FOR PRODUCTION

1-1871867-1	△4	A	NATURAL	1-1746978-1	△4
1871867-1		A	NATURAL	1746978-1	
△4 MATING HSG P/N		KEYING TYPE	COLOR		P/N

THIS DRAWING IS A CONTROLLED DOCUMENT.		DWN A.OISHI 17MAY2004	TE Connectivity		
DIMENSIONS: 単位: 耗 mm		CHK N.YAMASAKI 17MAY2004			
TOLERANCES UNLESS OTHERWISE SPECIFIED: 一般公差		APVD S.MANABE 17MAY2004	NAME 名称 GRACE INERTIA CONNECTOR 6.2MM PITCH 3POS CAP HOUSING		
0 PLC ± - 1 PLC ± - 2 PLC ± - 3 PLC ± - 4 PLC ± - ANGLES ± -		PRODUCT SPEC 製品規格 108-5979	SIZE A3		
MATERIAL 材料 66NYLON(UL94V-0)		APPLICATION SPEC 取付適用規格 114-5356	CAGE CODE 00779	DRAWING NO 番号 C-1746978	RESTRICTED TO -
FINISH 仕上 -		WEIGHT -	SCALE 尺度 3:1		
		CUSTOMER DRAWING		SHEET 1 of 2	REV C

THIS DRAWING IS UNPUBLISHED.

RELEASED FOR PUBLICATION

-. -. .

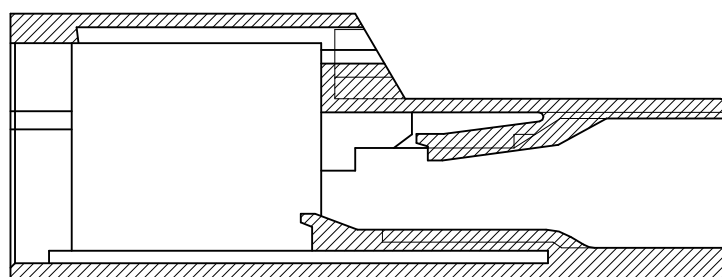
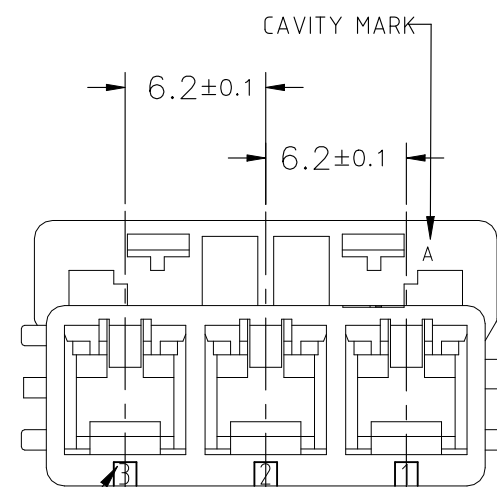
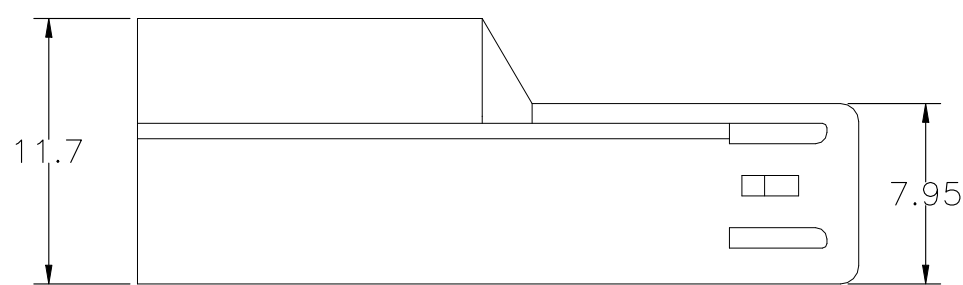
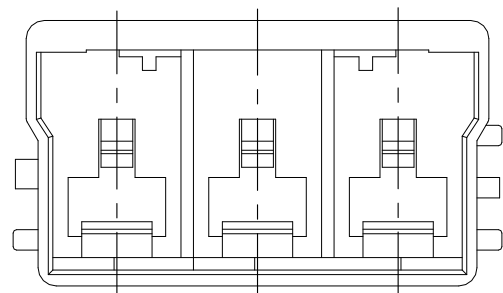
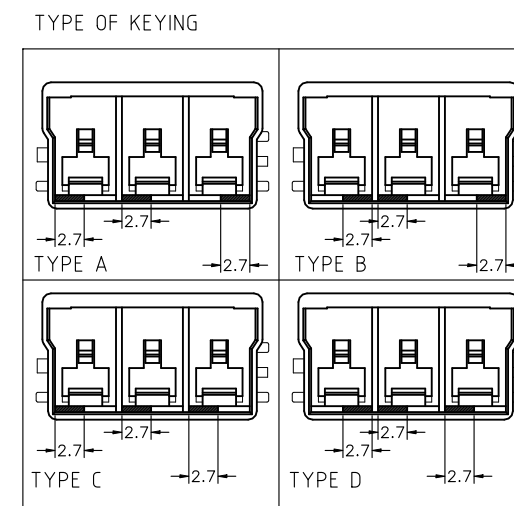
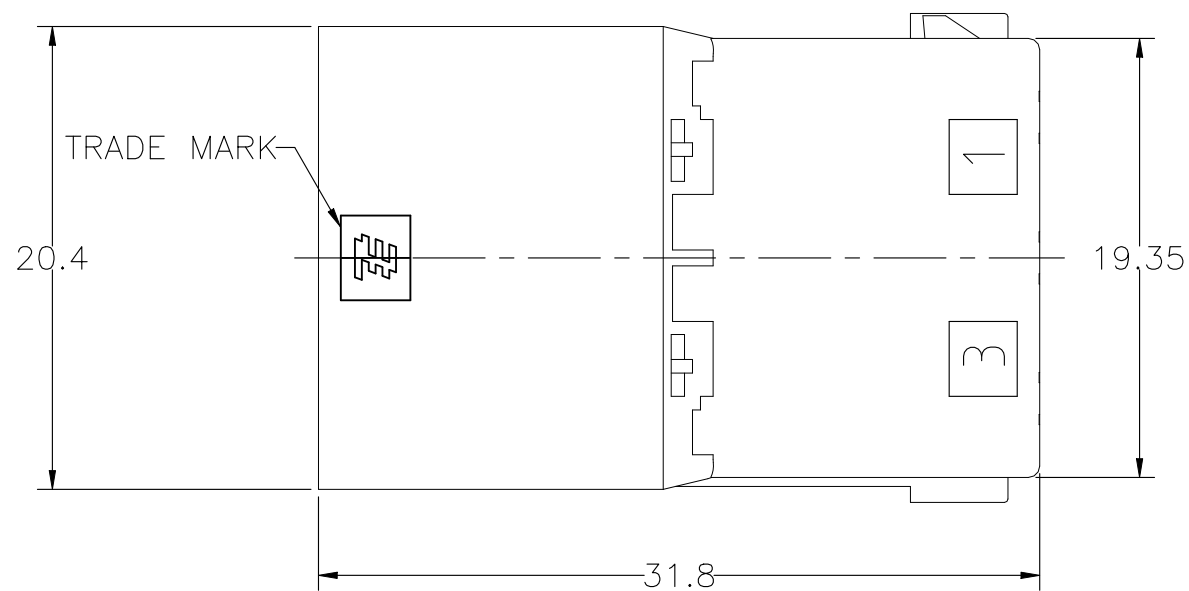
REVISIONS

変更

© COPYRIGHT - TE Connectivity Ltd.

ALL RIGHTS RESERVED.

P	LTR	DESCRIPTION	DATE	DWN	APVD
-	-	SEE SHEET 1	-	-	-



回路番号  
CIRCUIT NO.

断面 A-A  
SECT A-A

NOTES)  
MATING TPA P/N: 1-2232564-1

4-1871867-1	A	NATURAL	4-1746978-1
MATING HSG P/N	KEYING TYPE	COLOR	P/N

THIS DRAWING IS A CONTROLLED DOCUMENT.		DWN A.OISHI 17MAY2004	<b>STE</b> TE Connectivity	
DIMENSIONS: 単位: 耗 mm		CHK N.YAMASAKI 17MAY2004		
TOLERANCES UNLESS OTHERWISE SPECIFIED: 一般公差		APVD S.MANABE 17MAY2004	NAME 名称 GRACE INERTIA CONNECTOR 6.2MM PITCH 3POS CAP HOUSING	
0 PLC ± -		PRODUCT SPEC 製品規格 108-5979	SIZE A3	
1 PLC ± -		APPLICATION SPEC 取付適用規格 114-5356	CAGE CODE 00779	DRAWING NO 番号 C-1746978
2 PLC ± -		WEIGHT -	RESTRICTED TO -	
3 PLC ± -		CUSTOMER DRAWING		
4 PLC ± -		SCALE 尺度 3:1		
ANGLES ± -		SHEET 2 OF 2		
FINISH 仕上 -		REV B4		
MATERIAL 材料 66NYLON(UL94V-0)				