

THIS DRAWING IS UNPUBLISHED.

RELEASED FOR PUBLICATION

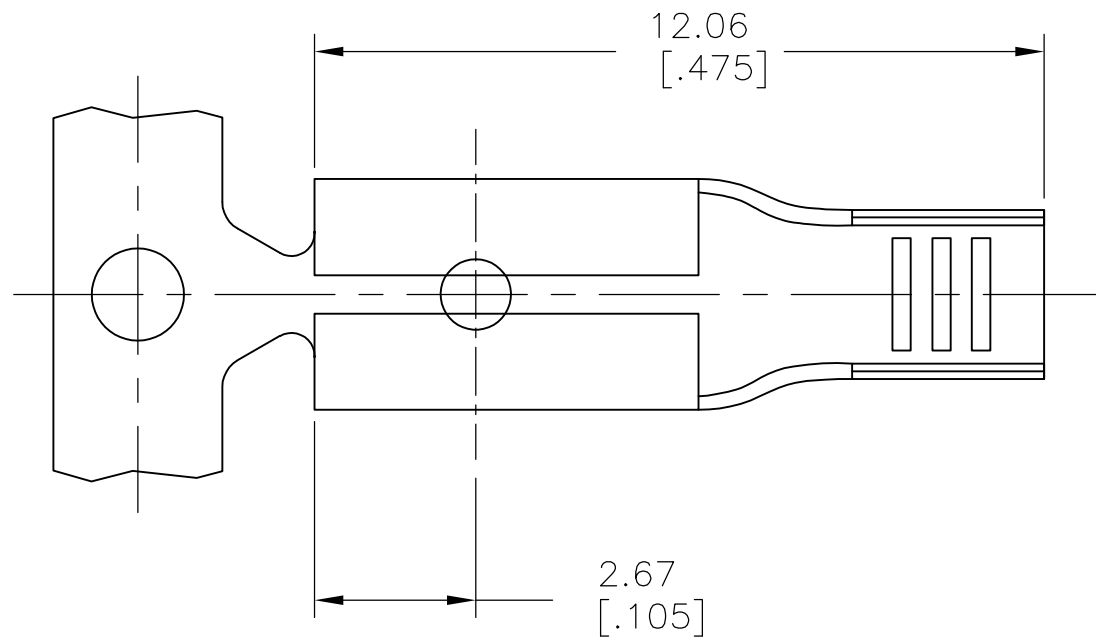
ALL RIGHTS RESERVED.

LOC  
AF

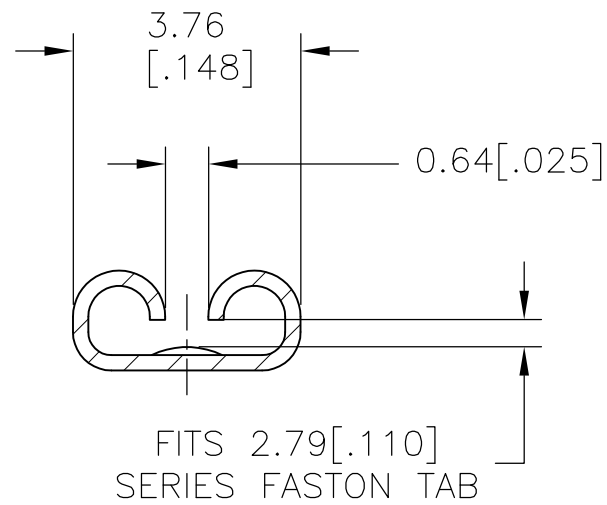
DIST  
50

REVISIONS

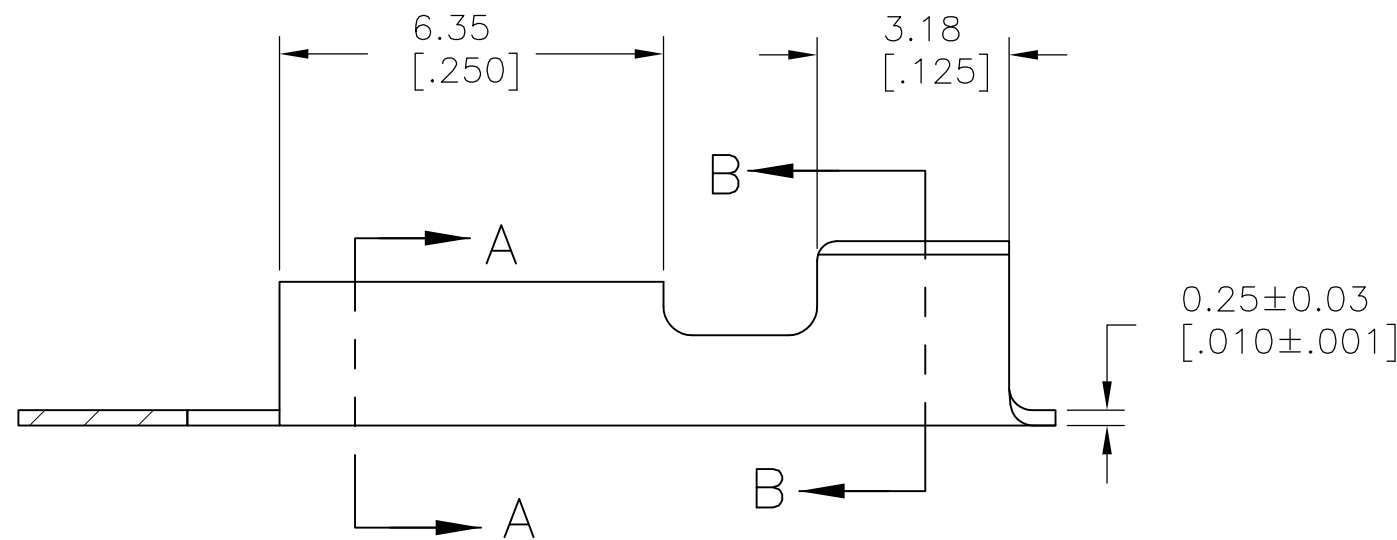
P	LTR	DESCRIPTION	DATE	DWN	APVD
B1		REVISED PER ECR-14-004075	24MAR2014	NK	RL



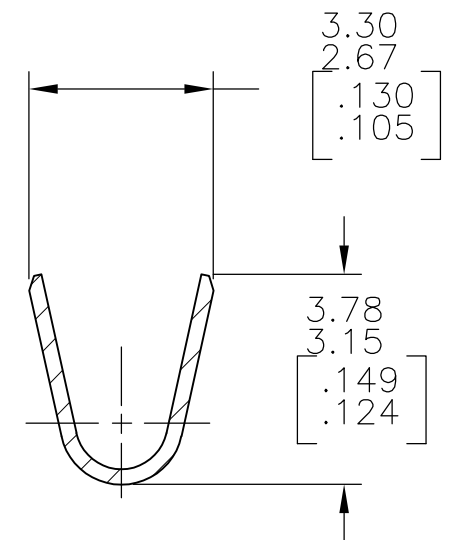
- 1 CONTINUOUS STRIP ON REELS
- △ 2 FINISH LEAD-FREE, MATTE TIN OVER NICKEL



SECTION A-A



SECTION B-B



#18-#14 AWG	0.51±0.08 [.020±.003]	△ 2	1742786-2
		PRE-TIN	1742786-1
WIRE SIZE	MATING TAB THK	FINISH	PART NO.

THIS DRAWING IS A CONTROLLED DOCUMENT.		DWN jr_ruth 10MAR09	<b>STE</b> TE Connectivity	
DIMENSIONS: mm [INCHES]		CHK PETE DESANTIS 10MAR09		
TOLERANCES UNLESS OTHERWISE SPECIFIED:		APVD PETE DESANTIS 10MAR09	NAME RECEPTACLE, FASTON, 2.79 [.110] SERIES	
0 PLC ± - 1 PLC ± - 2 PLC ± 0.25 [.010] 3 PLC ± - 4 PLC ± - ANGLES ± 5°		PRODUCT SPEC -	RESTRICTED TO -	
MATERIAL BRASS		FINISH -	APPLICATION SPEC -	SIZE A3
		WEIGHT -	CAGE CODE 00779	DRAWING NO C-1742786
CUSTOMER DRAWING			SCALE 8:1	SHEET 1 OF 1
			REV B1	