

6

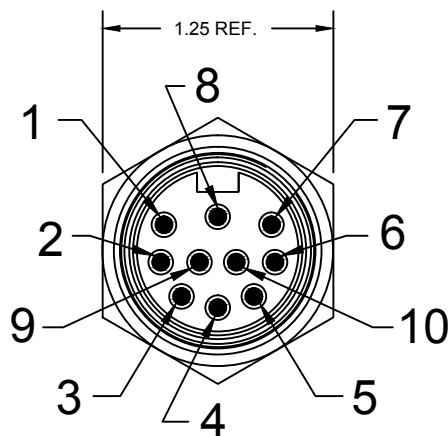
5

4

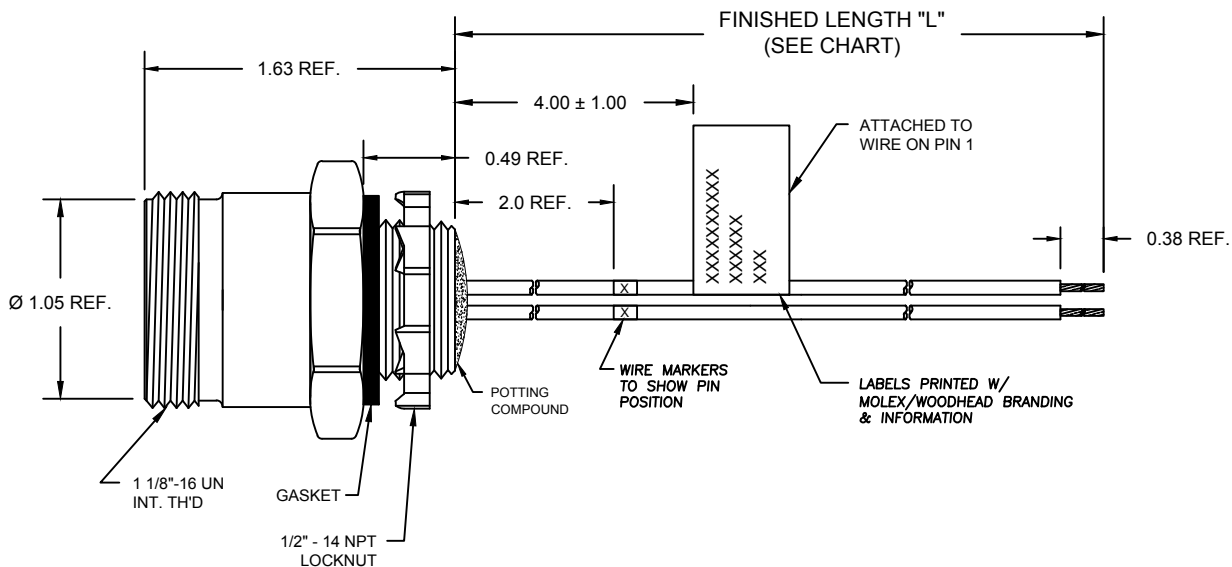
3

2

1



FACE VIEW - MALE



1	BLUE
2	BLUE
3	BLUE
4	BLUE
5	BLUE
6	BLUE
7	BLUE
8	GREEN
9	BLUE
10	WHITE/BLUE

3R1006AA5M010D

LENGTH
 M001 - .1 METER
 M010 - 1 METER
 M100 - 10 METER

SPECIFICATIONS:

SHELL MATERIAL: ZINC DIECAST W/ BLACK ELECTROPHORETIC COATING
 CONTACT MATERIAL: GOLD/NICKEL OVER COPPER ALLOY
 INSERT MATERIAL: YELLOW TPE
 LOCKNUT: ZINC-PLATED STEEL
 GASKET: BLACK NEOPRENE

WIRES: #16-1, PVC LEADS
 ASSEMBLY RATING: 600V, 9A

ENVIRONMENTAL: -20°C TO 105°C
 IP67 WHEN MATED

AGENCY APPROVALS: UL LISTED

ADD PIN MATRIX EC NO: IPC2016-1745 DRWN: MZIELINS 2016/06/23 CHKD: RSTONE 2016/06/29 APPR: BWOODMAN 2013/04/05	QUALITY SYMBOLS ▽=0 ▽C=0	GENERAL TOLERANCES (UNLESS SPECIFIED)		DIMENSION STYLE INCH		SCALE 1:1	DESIGN UNITS INCH	THIRD ANGLE PROJECTION	
		4 PLACES	mm	INCH	DRAWN BY VOU	DATE 2011/01/28	TITLE MINI-CHANGE RECEPTACLE 10P MR 1/2 NPT MOUNT #16-1 PVC WIRES		
		3 PLACES	±---	±.005	CHECKED BY TWOLDEGE	DATE 2013/03/04			
		2 PLACES	±0.13	±0.010	APPROVED BY JFMURPHY	DATE 2013/04/05	MATERIAL NO. SEE MATRIX	DOCUMENT NO. SD-130015-014	SHEET NO. 1 OF 1
1 PLACE	±0.25	±0.020	ANGULAR ±1/2°		THIS DRAWING CONTAINS INFORMATION THAT IS PROPRIETARY TO MOLEX INCORPORATED AND SHOULD NOT BE USED WITHOUT WRITTEN PERMISSION				
DRAFT WHERE APPLICABLE MUST REMAIN WITHIN DIMENSIONS									

6

5

4

3

2

1