

MATERIALS AND FINISHES:

BODIES: ZINC ALLOY  
PLATED BRIGHT TIN OVER NICKEL  
OVER COPPER

GROUND SPRING: BERYLLIUM COPPER  
PLATED NICKEL

WAVE WASHER: CARBON STEEL

O-RINGS/SEALS: SILICONE RUBBER

EMI RING: STAINLESS STEEL  
PASSIVATED

CONIC WASHER: BRASS  
PLATED BRIGHT TIN OVER NICKEL

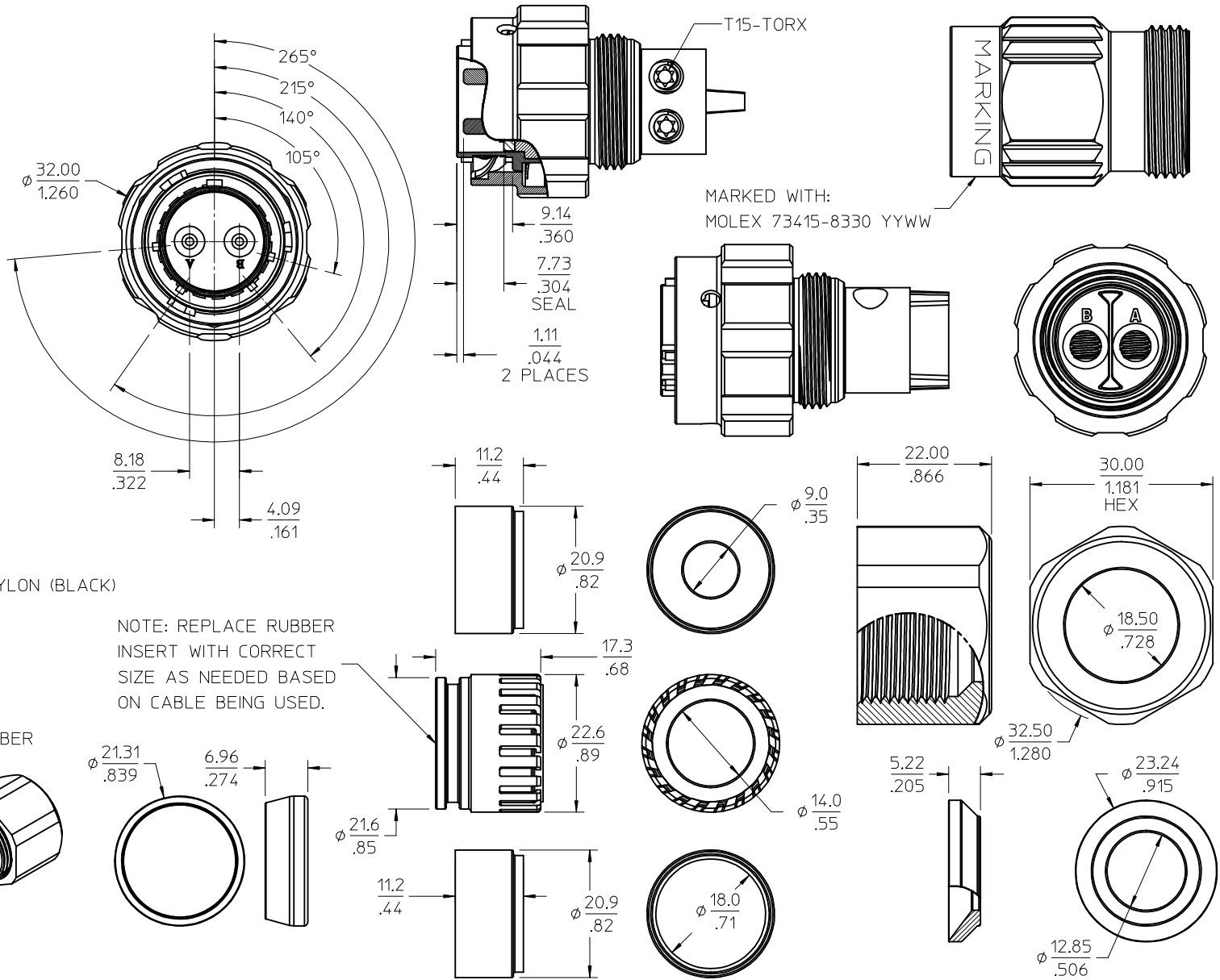
CAP/TOOL: PBT (BLACK) UL94 HB

INSULATORS: (UL94 V-0): PBT (BLACK)

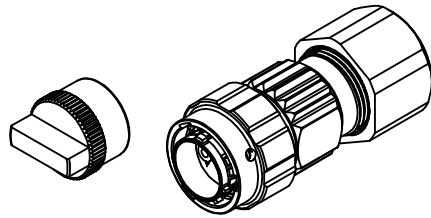
COUPLING NUT, BACK NUT: (UL94 V-0): NYLON (BLACK)

CONTACT: BRASS  
PLATED GOLD (30 μ-in MIN) OVER  
NICKEL (100 μ-in MIN) IN CONTACT AREA

GLAND ASSEMBLY: PA66 & SILICONE RUBBER



NOTE: REPLACE RUBBER  
INSERT WITH CORRECT  
SIZE AS NEEDED BASED  
ON CABLE BEING USED.



PART # 73415-8330

14	2.5
8	10
AWG WIRE SIZE	mm <sup>2</sup> WIRE SIZE

WIRE RANGE

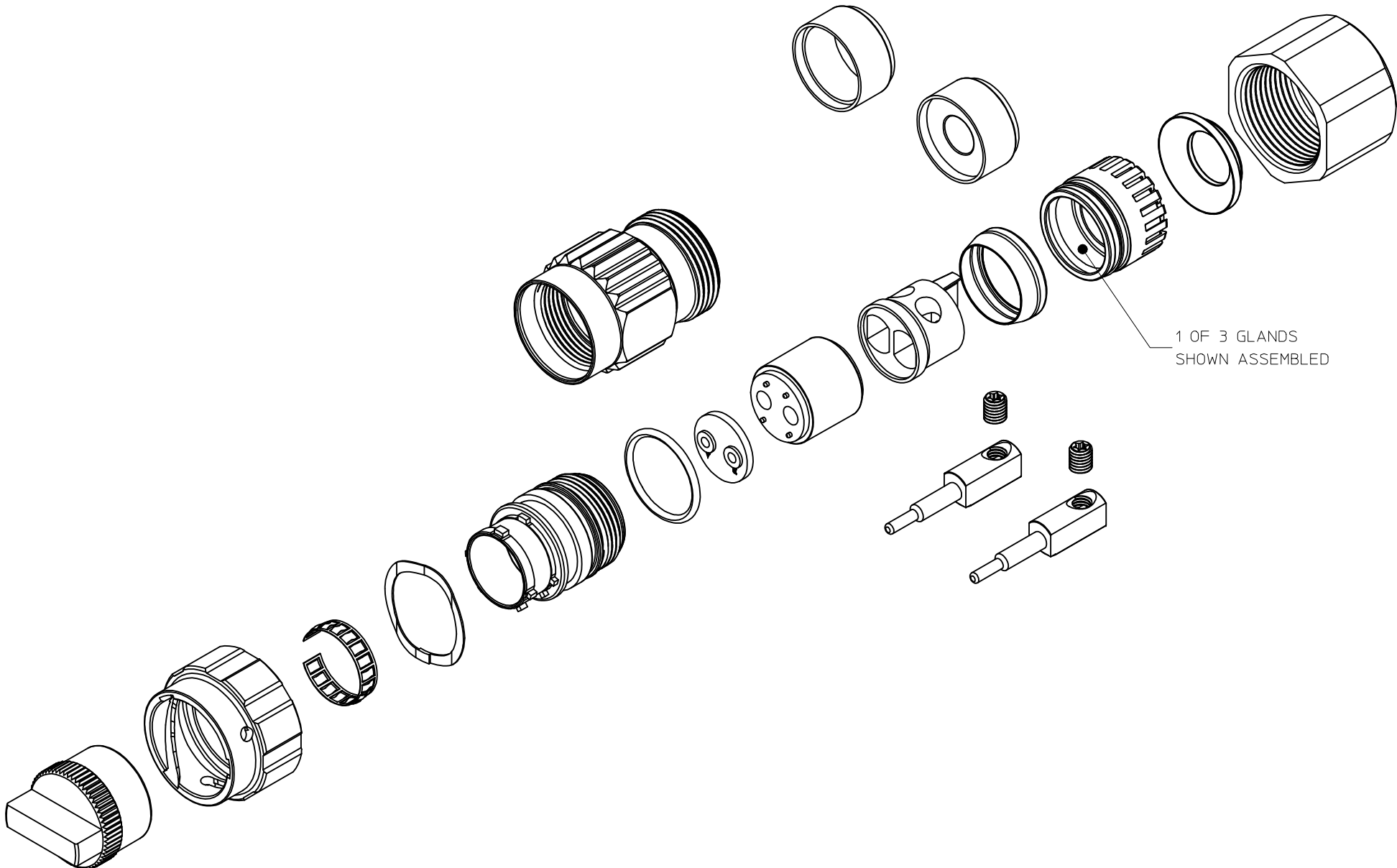
AS-89675-4510	CABLING INSTRUCTIONS
SPECIFICATION	DESCRIPTION

CHG: SPECIFICATION IN TABLE WAS AS-89675-4480. BACK NUT DIMS WERE: Ø31.20 / 1.228 & 28.00 / 1.102 HEX & Ø18.44 / .726.	EC NO: URF2016-0639	DRW: LMEIER 2016/03/21	CHKD: SSS 2016/03/21	APPR: AROBERTSON 2016/03/24
DZ	REV	DESCRIPTION	QUALITY SYMBOLS	GENERAL TOLERANCES (UNLESS SPECIFIED)

▽=0	▽=0
DRAFT WHERE APPLICABLE MUST REMAIN WITHIN DIMENSIONS	

GENERAL TOLERANCES (UNLESS SPECIFIED)		DIMENSION STYLE MM/IN		SCALE	DESIGN UNITS METRIC	THIRD ANGLE PROJECTION
4 PLACES ± ---	± ---	DRAWN BY LMEIER	DATE 2014/10/31	TITLE	POWER 48V CONN PLUG INVERTED 2 POLE MALE PIN POWER-PC, EWR-5480	
3 PLACES ± ---	± .005	CHECKED BY AZR	DATE 2014/11/05	APPROVED BY AROBERTSON	DATE 2014/11/06	MATERIAL NO. SD-73415-833
2 PLACES ± .13	± ---	ANGULAR ± 2 °		SEE TABLE		
1 PLACE ± ---	± ---	SIZE		THIS DRAWING CONTAINS INFORMATION THAT IS PROPRIETARY TO MOLEX INCORPORATED AND SHOULD NOT BE USED WITHOUT WRITTEN PERMISSION		

MOLEX INCORPORATED		DOCUMENT NO.	SHEET NO.
SD-73415-833		1 OF 2	



CHG: SEE SHEET 1. EC NO: URF2016-0639 DRAWN: MEIER 2016/03/21 CHKD: SSS 2016/03/21 APPR: AROBERTSON 2016/03/24	QUALITY SYMBOLS ▽=0 ▽=0	GENERAL TOLERANCES (UNLESS SPECIFIED)		DIMENSION STYLE MM/IN		SCALE METRIC	DESIGN UNITS METRIC		THIRD ANGLE PROJECTION		
		4 PLACES ± --- ± --- 3 PLACES ± --- ± .005 2 PLACES ± .13 ± --- 1 PLACE ± --- ± ---	mm INCH ± --- ± --- ± .005 ± --- ± .13 ± --- ± --- ± ---	DRAWN BY LMEIER	DATE 2014/10/31	TITLE POWER 48V CONN PLUG INVERTED 2 POLE MALE PIN POWER-PC, EWR-5480		MOLEX INCORPORATED		SHEET NO. 2 OF 2	
D2	DESCRIPTION REV	DRAFT WHERE APPLICABLE MUST REMAIN WITHIN DIMENSIONS		SEE TABLE		DOCUMENT NO. SD-73415-833		MATERIAL NO.		APPROVED BY AROBERTSON	DATE 2014/11/06