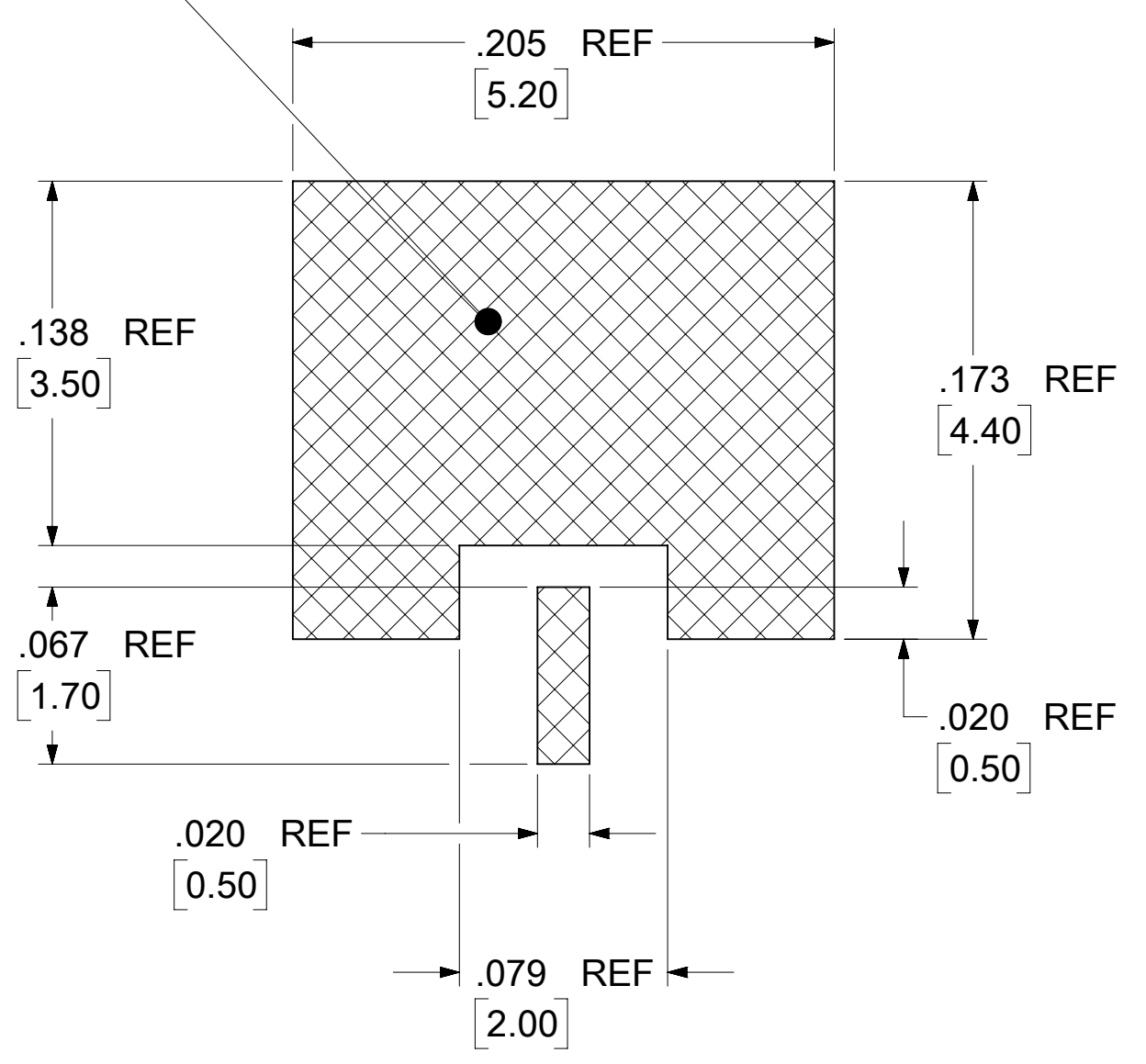
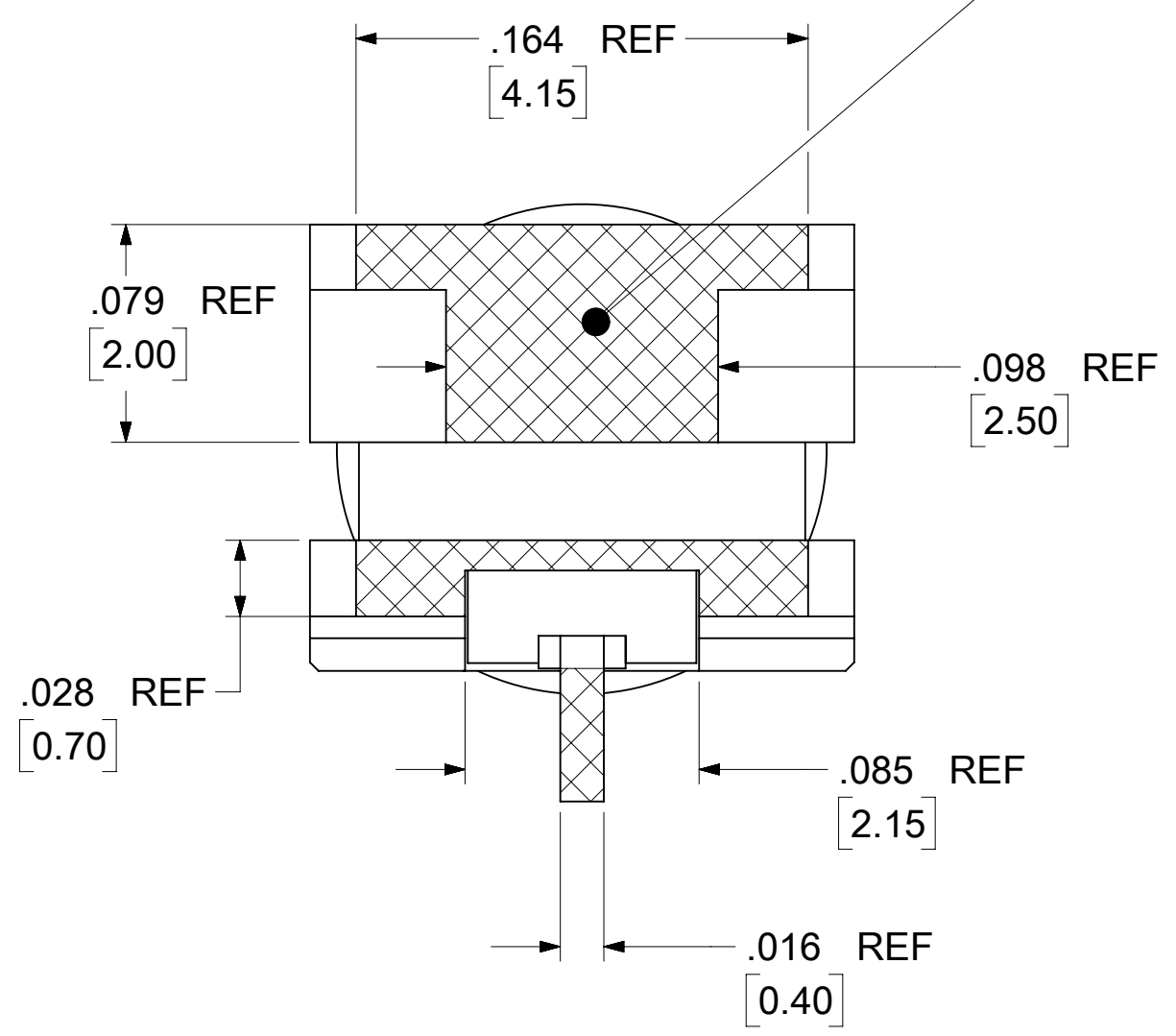
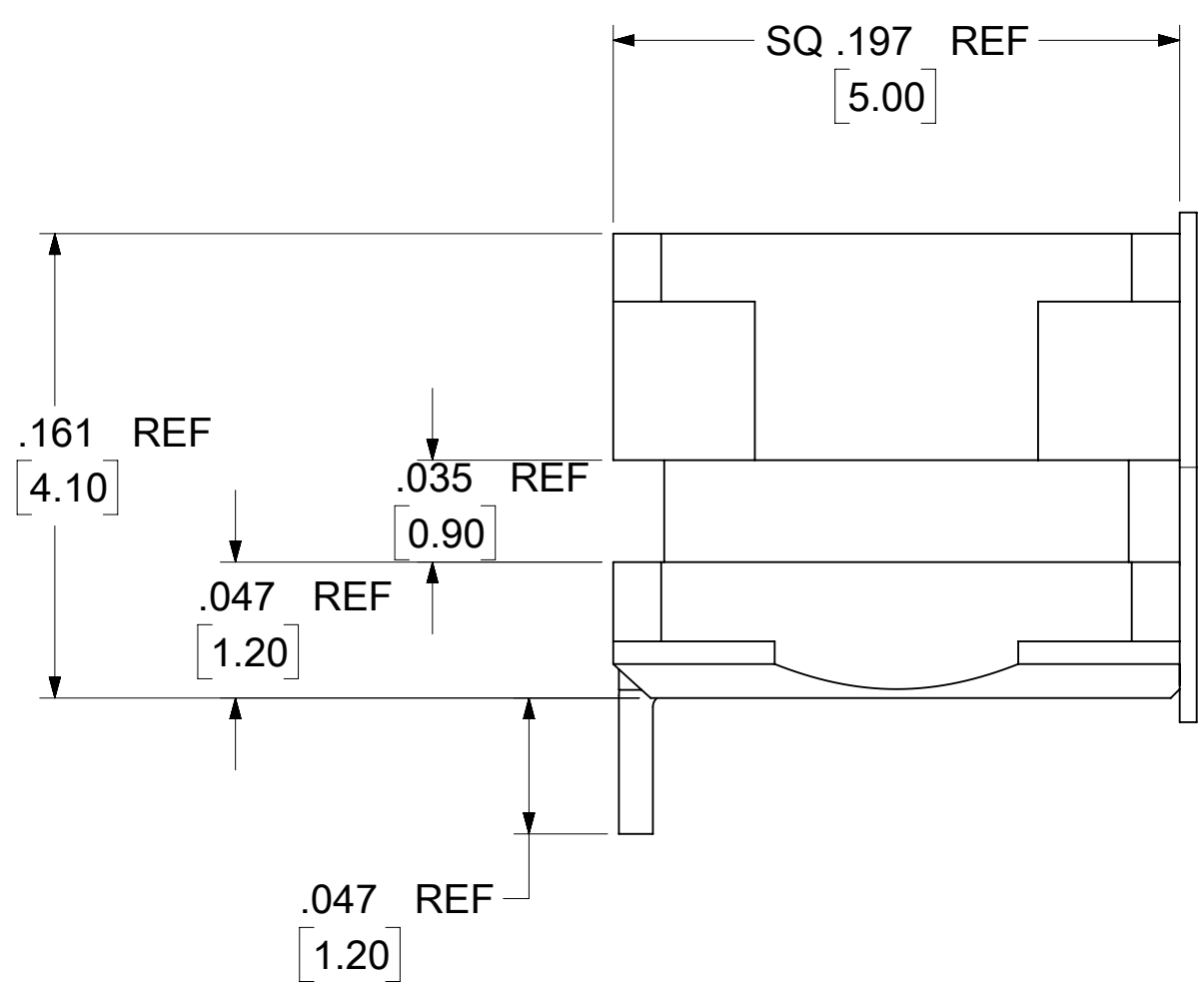
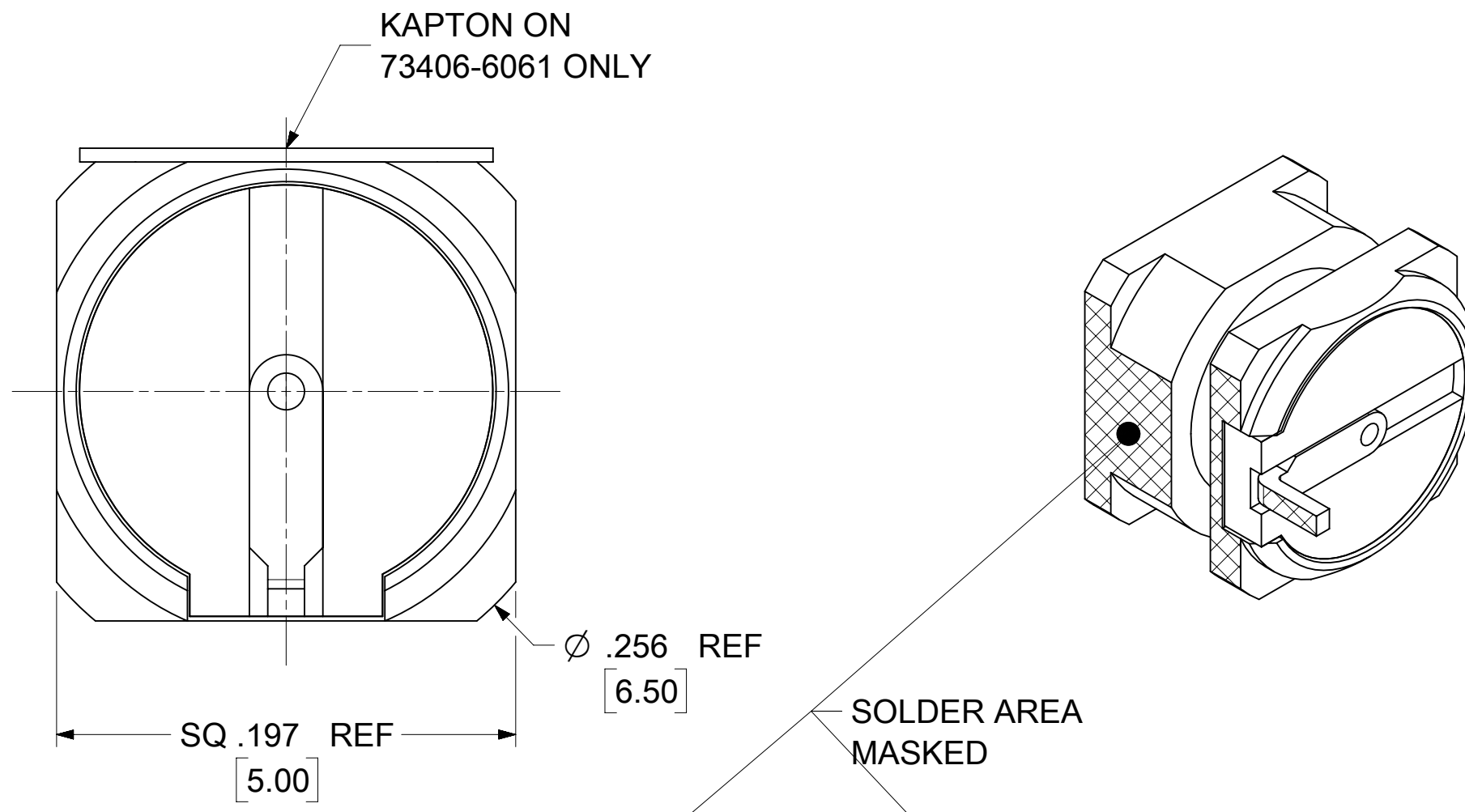


MATERIALS AND FINISHES:

BODY, CENTER CONTACT: BRASS
PLATED GOLD

INSULATOR: LCP

KAPTON: POLYIMIDE FILM
(ON -6061 ONLY)



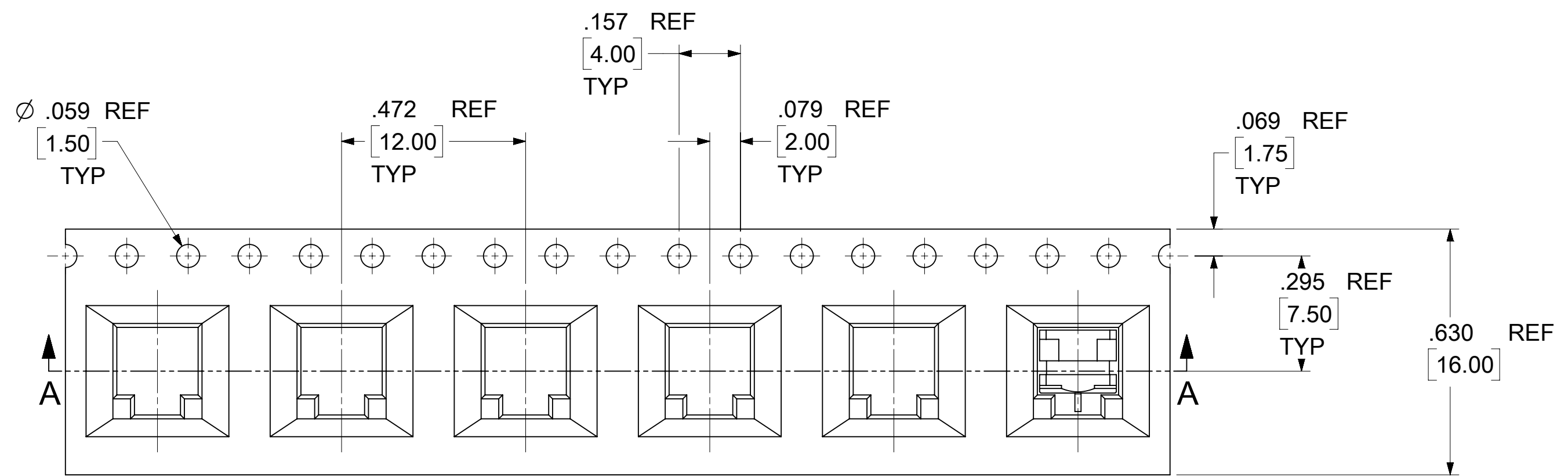
73406-6062	73406-6060 ONE PER BAG	895420470
73406-6061	73406-6060 TAPE & REEL WITH KAPTON	SHEET 2 & 3
73406-6060	73406-6060 TAPE & REEL WITHOUT KAPTON	
PART NO.	DESCRIPTION	PACKING SPEC

MIL-STD-348A, FIG. 326.3	INTERFACE
SPECIFICATION	DESCRIPTION

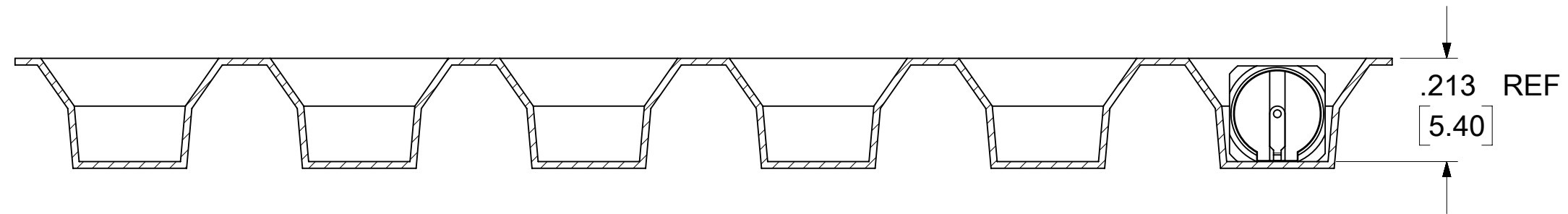
THIS DRAWING CONTAINS INFORMATION THAT IS PROPRIETARY TO MOLEX ELECTRONIC TECHNOLOGIES, LLC AND SHOULD NOT BE USED WITHOUT WRITTEN PERMISSION

DIMENSION UNITS INCH/MM	SCALE NTS	CURRENT REV DESC: UPDATE VIEWS OF TAPE & REEL PACKAGING PER EWR #15321-H	molex		
GENERAL TOLERANCES (UNLESS SPECIFIED)	ANGULAR TOL ± 2.0°	EC NO: 739487			
4 PLACES ±	3 PLACES ±	2 PLACES ±	PRODUCT CUSTOMER DRAWING		
1 PLACE ±	0 PLACES ±	DRAFT WHERE APPLICABLE MUST REMAIN WITHIN DIMENSIONS	DRWN: RYEH 2023/02/18	CHK'D: YCHENG 2023/02/21	APPR: YCHENG 2023/02/21
INITIAL REVISION:			DRWN: JLEE02 2008/10/27	APPR: JWIENER 2008/10/27	THIRD ANGLE PROJECTION
DRAWING SERIES C-SIZE 73406			DOCUMENT NUMBER SD-73406-606	DOC TYPE PSD	DOC PART 001
MATERIAL NUMBER SEE TABLE			CUSTOMER GENERAL MARKET	REVISION A2	SHEET NUMBER 1 OF 3

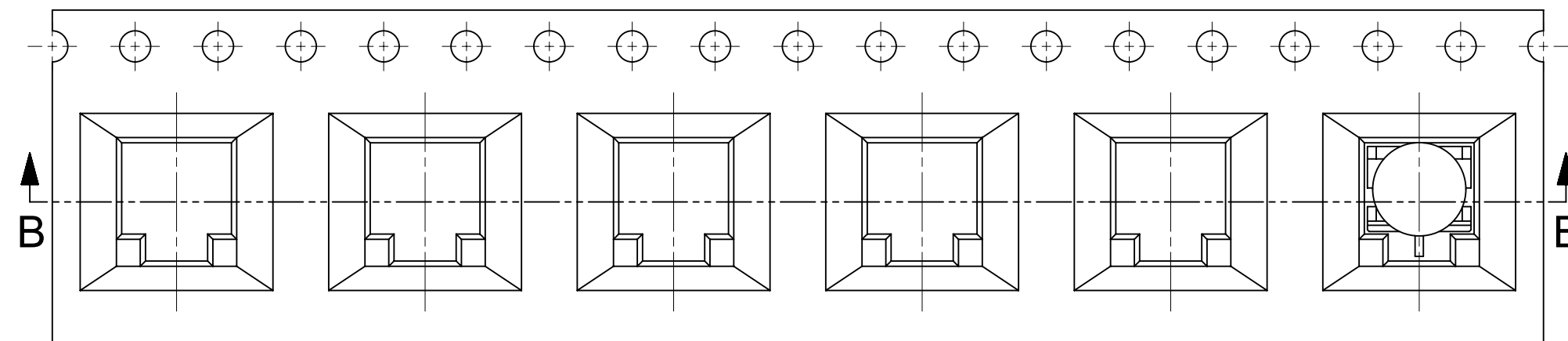
DOCUMENT STATUS	P1	RELEASE DATE	2023/02/21 07:36:41
-----------------	----	--------------	---------------------



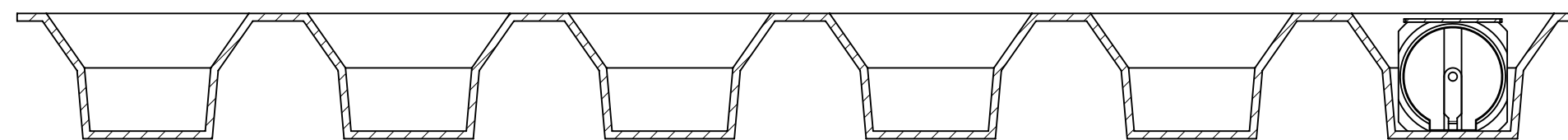
VIEWS FOR 73406-6060



SECTION A-A



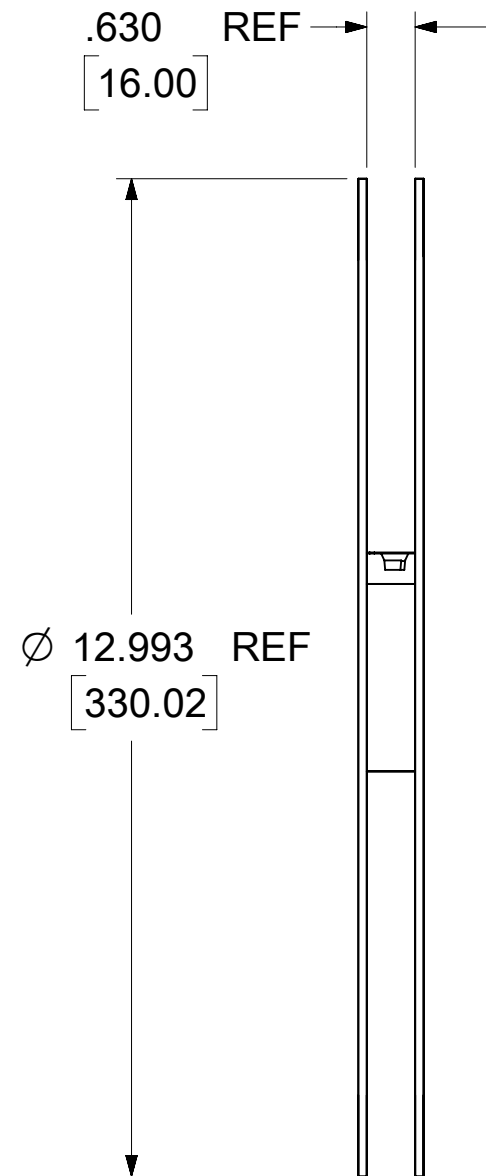
VIEWS FOR 73406-6061



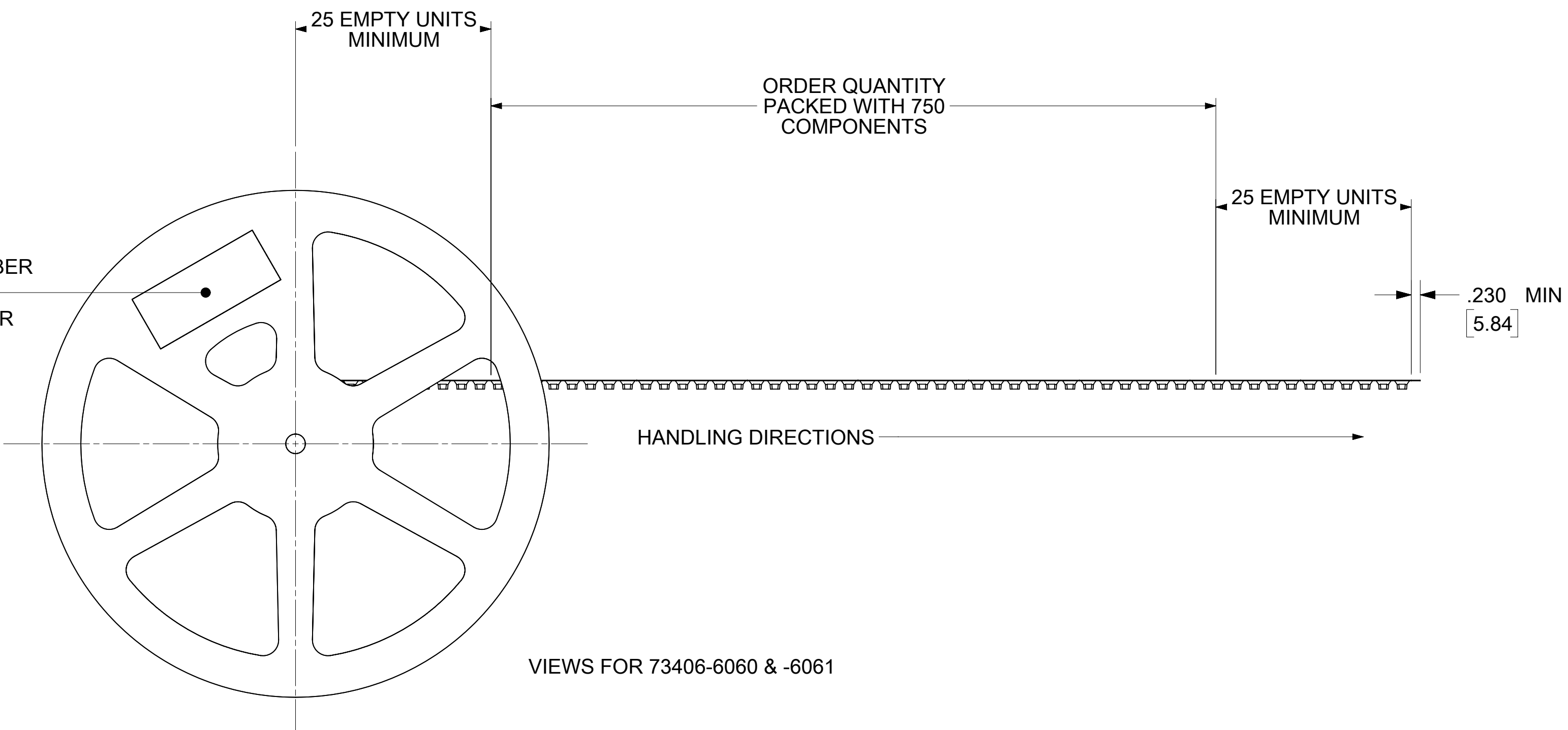
SECTION B-B

THIS DRAWING CONTAINS INFORMATION THAT IS PROPRIETARY TO MOLEX ELECTRONIC TECHNOLOGIES, LLC AND SHOULD NOT BE USED WITHOUT WRITTEN PERMISSION

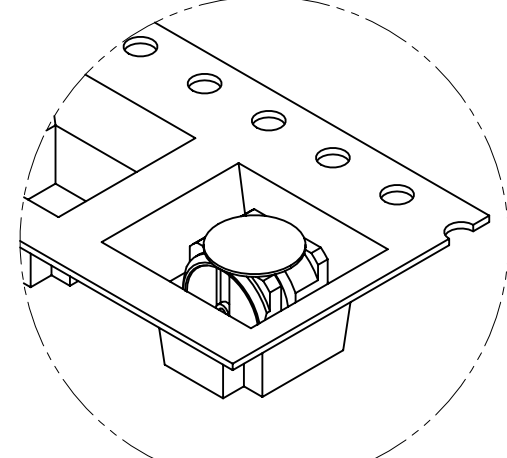
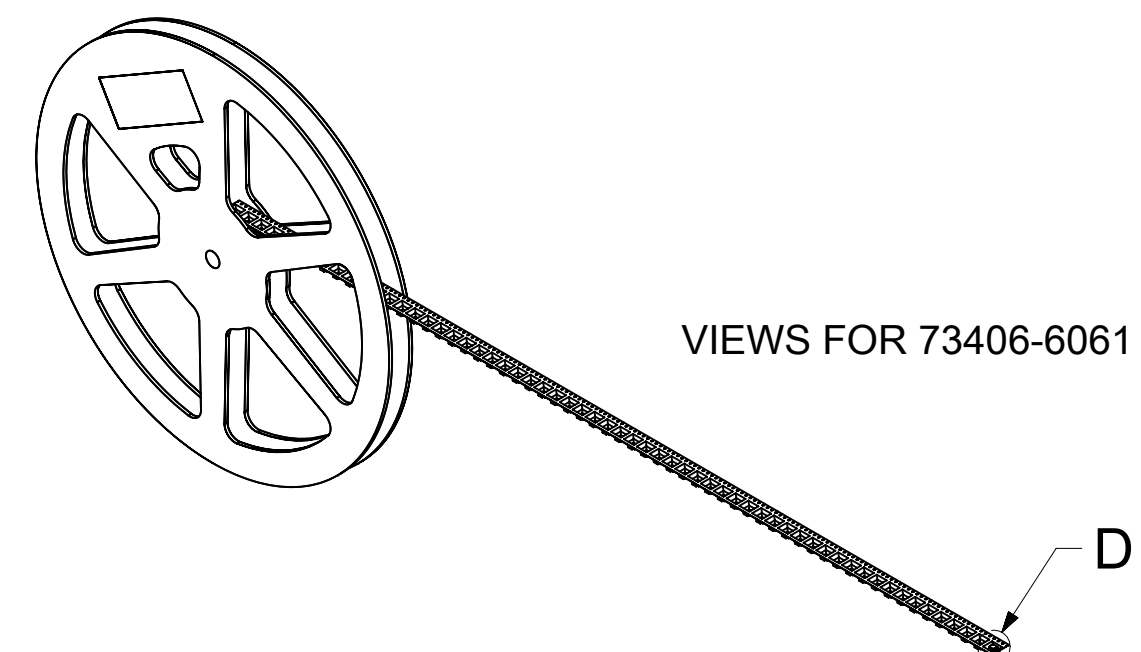
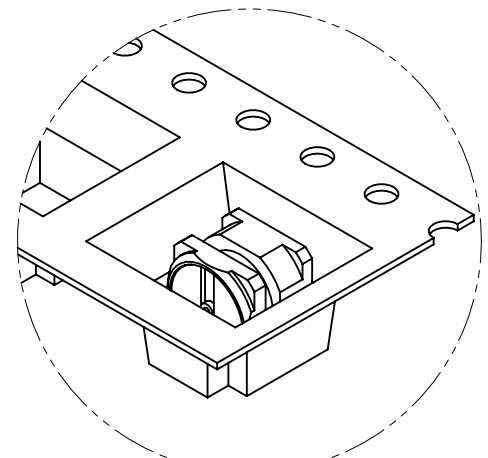
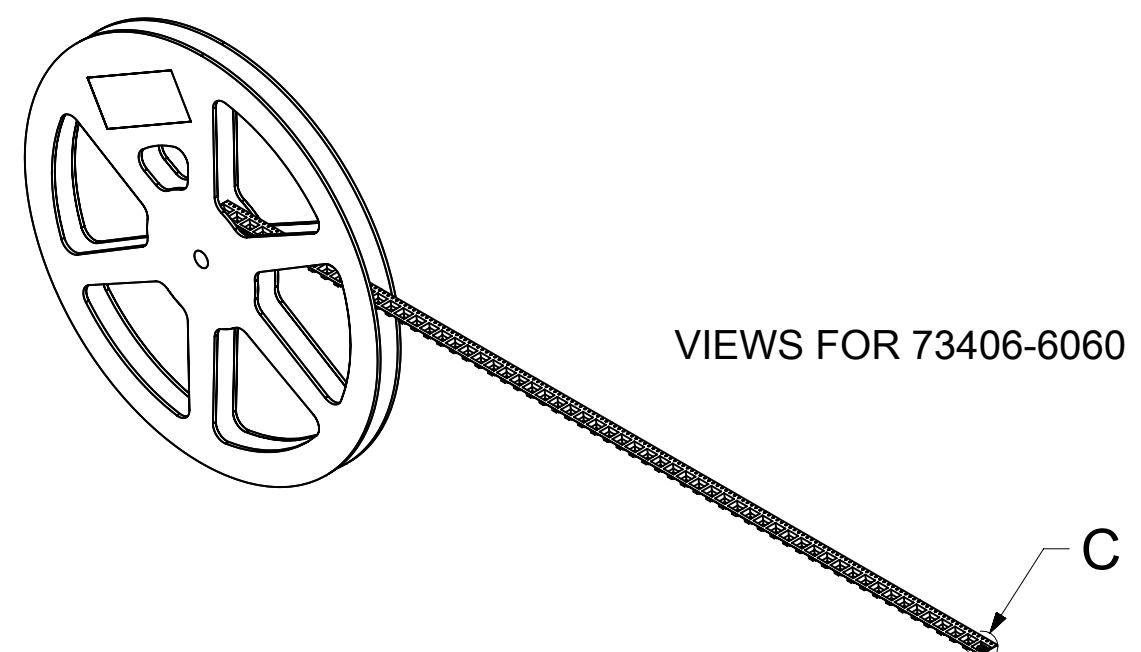
DIMENSION UNITS INCH/MM		SCALE NTS	CURRENT REV DESC: UPDATE VIEWS OF TAPE & REEL PACKAGING PER EWR #15321-H		molex			
GENERAL TOLERANCES (UNLESS SPECIFIED)			EC NO: 739487					SMP PLUG, R/A PCB LIMITED DETENT, SMP-P/PCB EWR-3795
ANGULAR TOL ± 2.0°			DRWN: RYEH 2023/02/18		PRODUCT CUSTOMER DRAWING			
4 PLACES ±			CHK'D: YCHENG 2023/02/21		DOCUMENT NUMBER			
3 PLACES ±			APPR: YCHENG 2023/02/21		SD-73406-606			
2 PLACES ±			INITIAL REVISION:		DOC TYPE DOC PART REVISION			
1 PLACE ±			DRWN: JLEE02 2008/10/27		PSD 001 A2			
0 PLACES ±			APPR: JWIENER 2008/10/27		MATERIAL NUMBER CUSTOMER SHEET NUMBER			
DRAFT WHERE APPLICABLE MUST REMAIN WITHIN DIMENSIONS		THIRD ANGLE PROJECTION	DRAWING C-SIZE	SERIES 73406	SEE TABLE		GENERAL MARKET	2 OF 3



LABEL:
-ORDER NUMBER
-QUANTITY
-PART NUMBER
-LOT NUMBER



VIEWS FOR 73406-6060 & -6061



THIS DRAWING CONTAINS INFORMATION THAT IS PROPRIETARY TO MOLEX ELECTRONIC TECHNOLOGIES, LLC AND SHOULD NOT BE USED WITHOUT WRITTEN PERMISSION

DIMENSION UNITS INCH/MM		SCALE NTS	CURRENT REV DESC: UPDATE VIEWS OF TAPE & REEL PACKAGING PER EWR #15321-H		molex				
GENERAL TOLERANCES (UNLESS SPECIFIED)			EC NO: 739487						SMP PLUG, R/A PCB LIMITED DETENT, SMP-P/PCB EWR-3795
ANGULAR TOL ± 2.0°			DRWN: RYEH 2023/02/18		PRODUCT CUSTOMER DRAWING				
4 PLACES ±			CHK'D: YCHENG 2023/02/21		DOCUMENT NUMBER				
3 PLACES ±			APPR: YCHENG 2023/02/21		SD-73406-606				
2 PLACES ±			INITIAL REVISION:		DOC TYPE		DOC PART		REVISION
1 PLACE ±			DRWN: JLEE02 2008/10/27		PSD		001		A2
0 PLACES ±			APPR: JWIENER 2008/10/27		MATERIAL NUMBER		CUSTOMER		SHEET NUMBER
DRAFT WHERE APPLICABLE MUST REMAIN WITHIN DIMENSIONS			THIRD ANGLE PROJECTION		DRAWING		SERIES		SEE TABLE
			C-SIZE		73406		GENERAL MARKET		3 OF 3

DOCUMENT STATUS	P1	RELEASE DATE	2023/02/21	07:36:41
-----------------	----	--------------	------------	----------