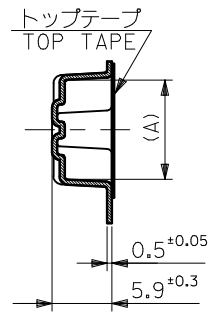
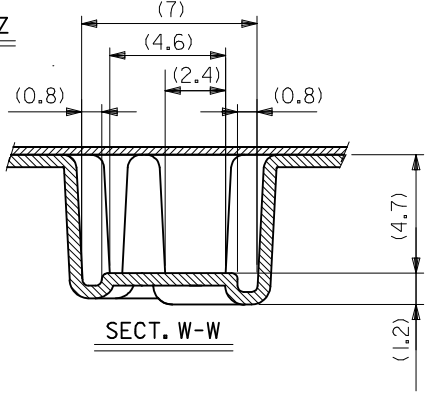
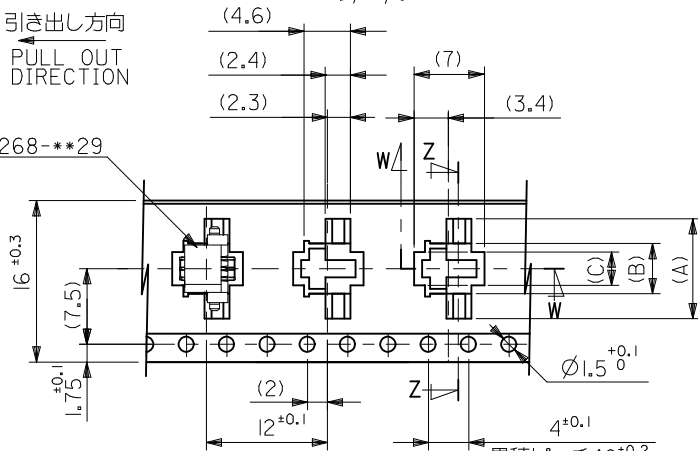
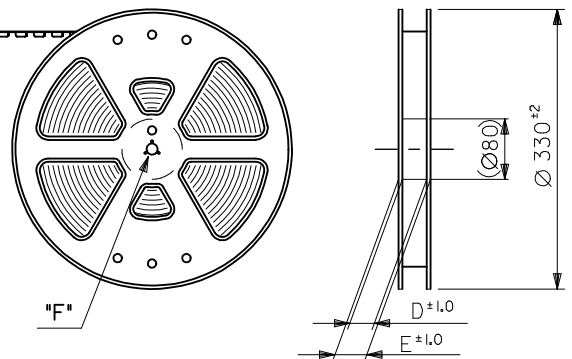


DETAIL "F"



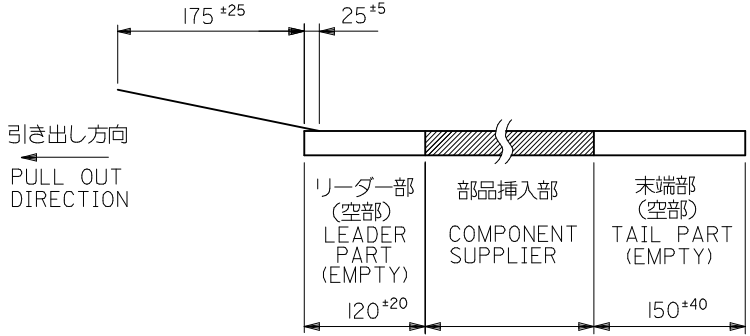
SECT. Z-Z



SECT. W-W

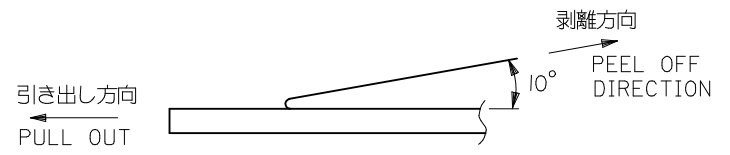
注記 NOTES

- 梱包数量： 1000 個/リール NUMBER OF CONNECTORS: 1000PCS/REEL
- リードテープ長さ LEAD TAPE LENGTH  
 トップテープ TOP TAPE  
 リーダー部 LEADER PART  
 部品挿入部 COMPONENT SUPPLIER  
 未接着部 NON-BONDED PART



- トップテープの剥離強度： (剥離方向は下図参照)  
 0.1N ~ 1.3N {10gf ~ 130gf} 尚、本規格値は、出荷時に適用。  
 (但し、輸送時に剥離が発生しない事。)

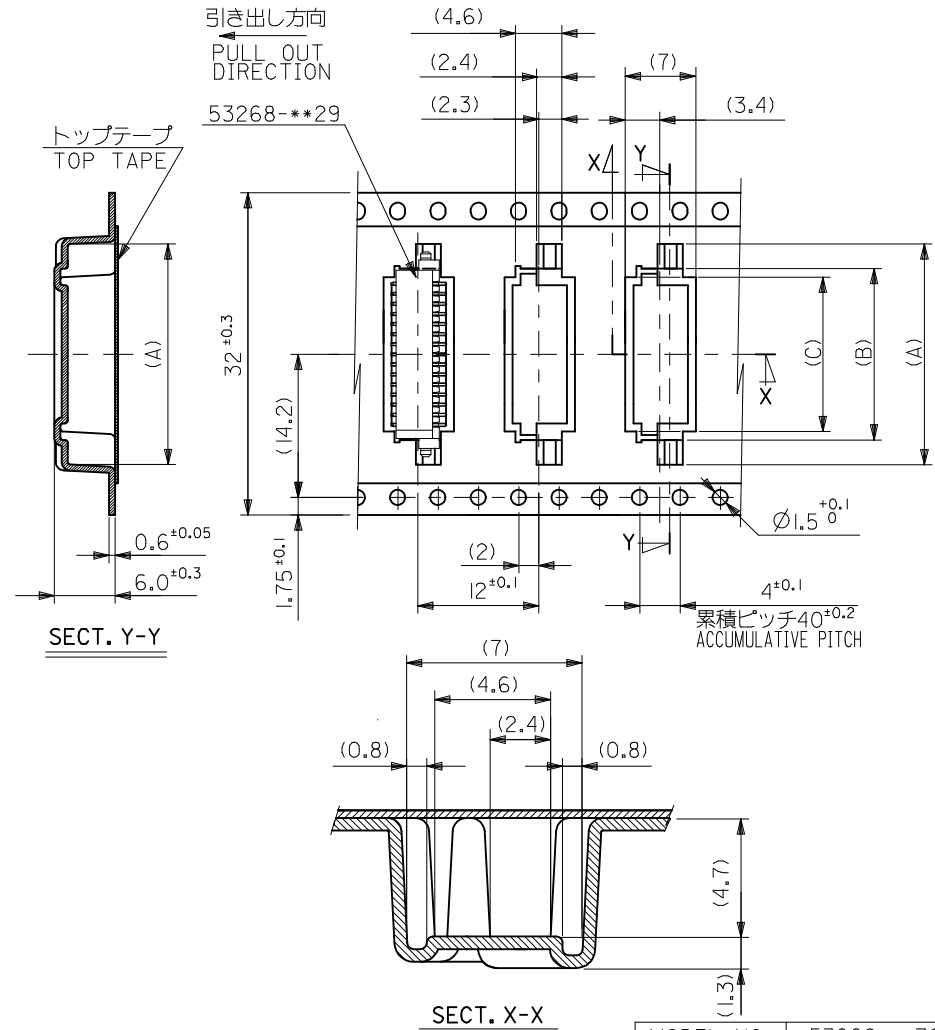
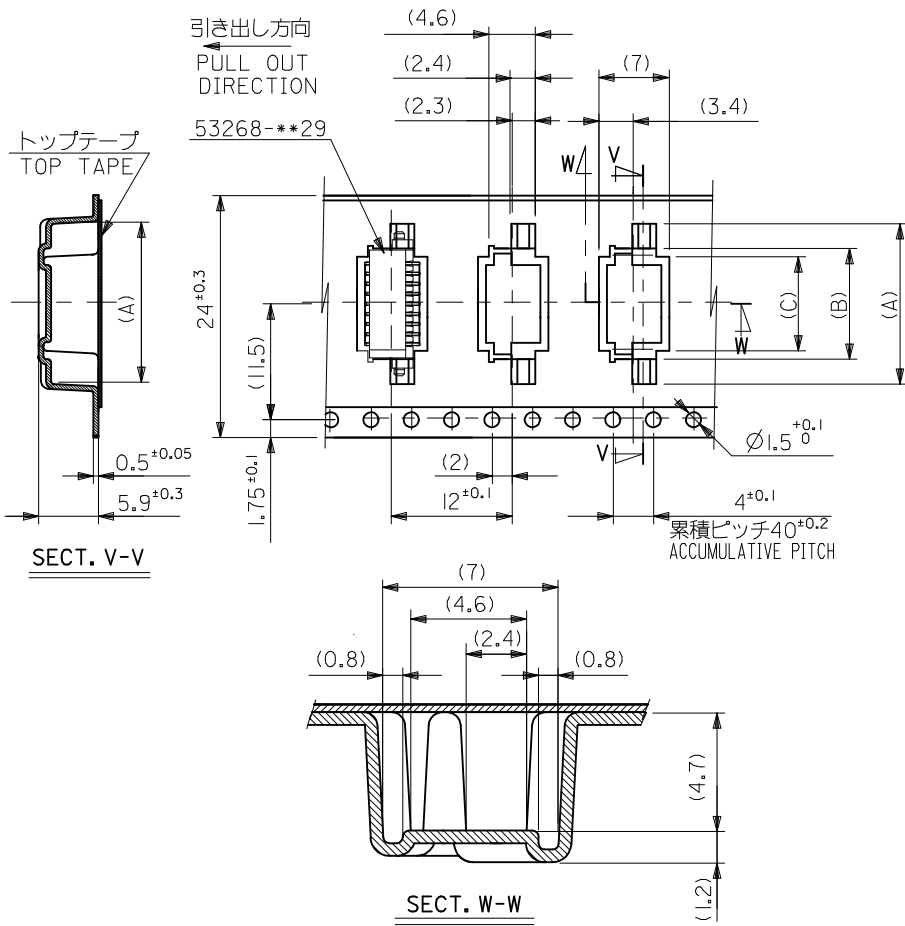
PEELING OFF FORCE OF TOP TAPE : 0.1N ~ 1.3N {10gf ~ 130gf}  
 (PEELING DIRECTION AS SHOWN IN FOLLOWING FIG.)  
 THIS REQUIREMENT SHOULD BE APPLIED AT SHIPMENT  
 PEEL OFF SHOULD NOT BE ALLOWED, DURING TRANSPORTATION



- 材料 DIRECTION MATERIAL  
 キャリアテープ：ポリプロピレン (PP) CARRIER TAPE: POLYPROPYLENE  
 トップテープ：PET, PE, PEF TOP TAPE: PET, PE, PEF  
 リール：ポリスチレン (PS) REEL: POLYSTYRENE (PS)  
 <リサイクル材を含む> <RECYCLE MATERIAL CONTAINED>
- 本製品は 53268-\*\*91 の鉛フリー品である。  
 THIS PRODUCT IS LEAD FREE OF 53268-\*\*91.

16	21.4	17.4	3.1	5	9.9	53268-0670	6
キャリアテープ幅 CARRIER TAPE WIDTH	E	D	(C)	(B)	(A)	MATERIAL NO.	極数 CIRCUIT

REVISED EC NO: J2014-4769 DRWN: YSATO06 CHKD: TASAKAWA APPR: KMORIKAWA	DESCRIPTION REV	GENERAL TOLERANCES (UNLESS SPECIFIED)		DIMENSION STYLE MM ONLY		SCALE ---	DESIGN UNITS METRIC	MODEL NO. 53268-**70
		10 UNDER	± ---	DRAWN BY Y. WADA	DATE 2004/05/17	TITLE 1.0 BTB CONN WAFER ASSY RA SMT EMBSTP PKG -LEAD FREE-		THIRD ANGLE PROJECTION
		10 OVER 30 UNDER	± ---	CHECKED BY M. SASAO	DATE 2004/05/17	molex		SHEET NO. 1 OF 2
		30 OVER	± ---	APPROVED BY	DATE			
ANGULAR ± --- °		MATERIAL NO. SEE CHART		DOCUMENT NO. SD-53268-010				
DRAFT WHERE APPLICABLE MUST REMAIN WITHIN DIMENSIONS		SIZE A3		THIS DRAWING CONTAINS INFORMATION THAT IS PROPRIETARY TO MOLEX INCORPORATED AND SHOULD NOT BE USED WITHOUT WRITTEN PERMISSION				



24	29.4	25.4	9.1	11	15.9	53268-1870	18
キャリアテープ幅 CARRIER TAPE WIDTH	E	D	(C)	(B)	(A)	MATERIAL NO.	極数 CIRCUIT

REVISED EC NO: J2014-1769 DRWN:YSAT006 2014/06/04 CHKD:TASAKAWA 2014/06/16 APPR:KMORIKAWA 2014/06/16	GENERAL TOLERANCES (UNLESS SPECIFIED)		DIMENSION STYLE	SCALE	DESIGN UNITS	MODEL NO.	
	10 UNDER ± ---		MM ONLY	---	METRIC	53268-***70	
	10 OVER 30 UNDER ± ---		DRAWN BY	DATE	TITLE	THIRD ANGLE PROJECTION	
	30 OVER ± ---		Y. WADA	2004/05/17	1.0 BTB CONN WAFER ASSY RA SMT EMBSTP PKG -LEAD FREE-		
DESCRIPTION REV	ANGULAR ± --- °		CHECKED BY	DATE	DOCUMENT NO.		
	DRAFT WHERE APPLICABLE MUST REMAIN WITHIN DIMENSIONS		M. SASAO	2004/05/17	SD-53268-010		
			APPROVED BY	DATE	SHEET NO.		
		MATERIAL NO.		SEE CHART			
		SIZE		THIS DRAWING CONTAINS INFORMATION THAT IS PROPRIETARY TO MOLEX INCORPORATED AND SHOULD NOT BE USED WITHOUT WRITTEN PERMISSION			