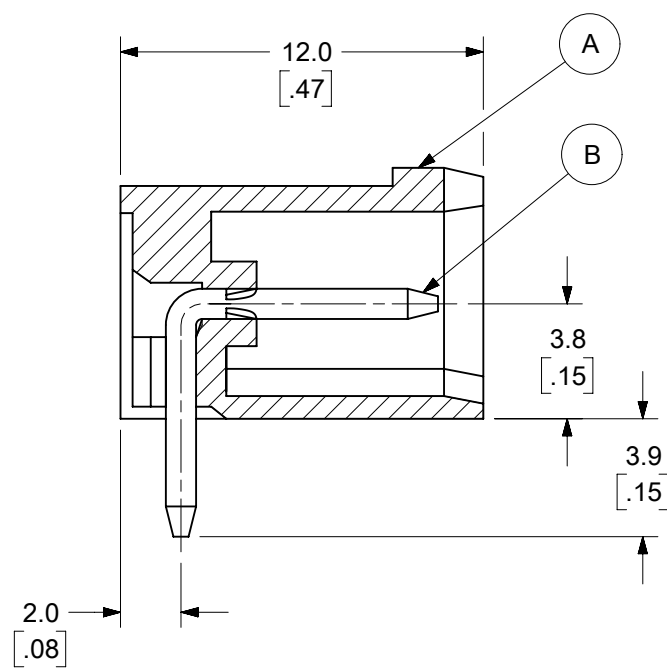
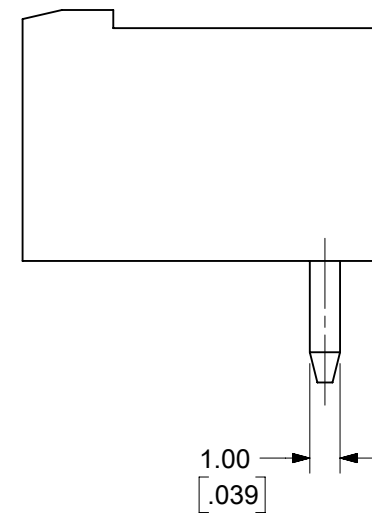
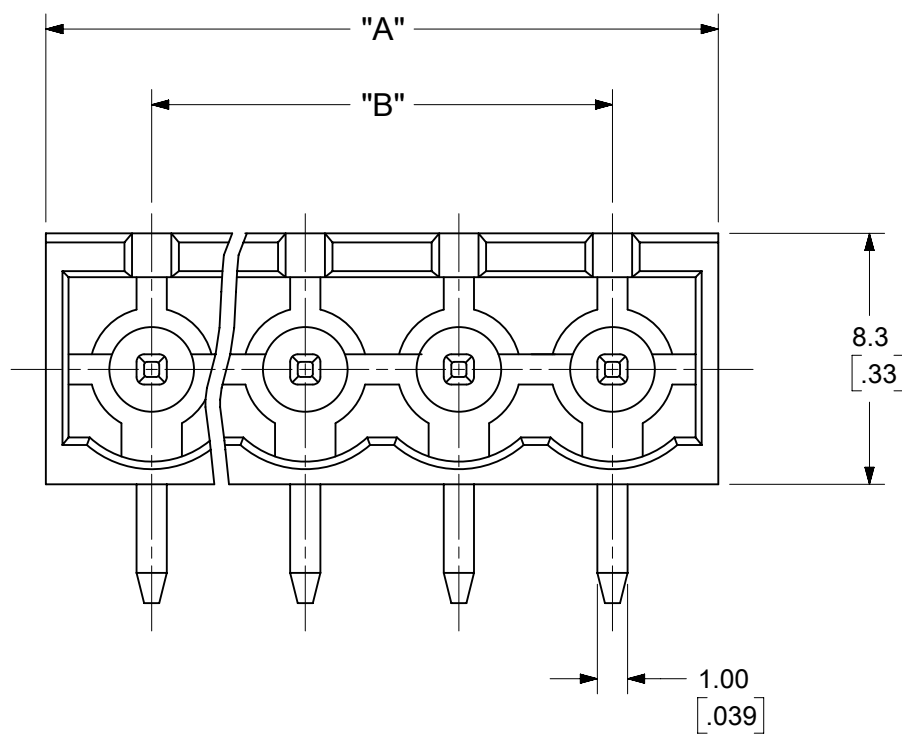
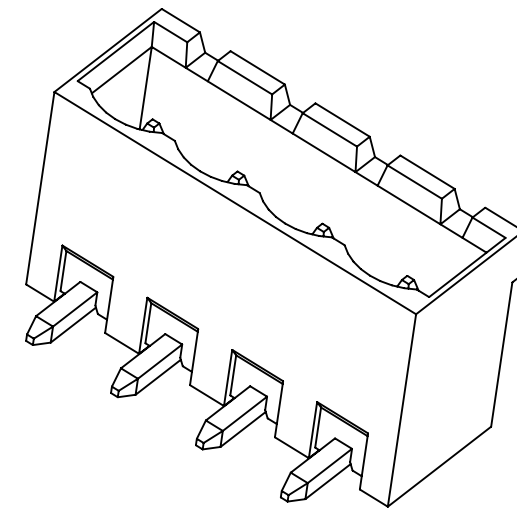
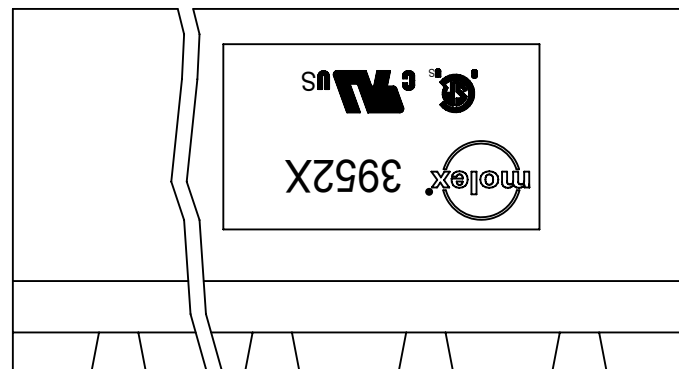


PCB LAYOUT



SPECIFICATIONS:

1. MATERIAL:

(A). BODY: PA66 (UL94-V0)

(B). PIN MATERIAL: BRASS

PIN FINISH:

TIN - 3 μm (118 μin) MIN MATTE TIN

OVER 2 μm (79 μin) MIN NICKEL

GOLD - 0.76 μm (30 μin) MIN GOLD IN

CONTACT AREA, 3 μm (118 μin) MIN

MATTE TIN IN SOLDER AREA.

2 μm (79 μin) MIN NICKEL UNDERPLATE

2. ELECTRICAL RATING: 300V, 18A (PER UL)

3. OPERATING TEMPERATURE: -40°C to +115°C.

4. INSULATION RESISTANCE: DC 500V, 500M Ω .

5. DIELECTRIC WITHSTAND: AC 2500V FOR 1 MINUTE.

6. BREAKDOWN VOLTAGE : 4000V.

TOLERANCES			
MM	TOL	INCH	TOL
0-6	±0.25	0-.24	±.010
>6-30	±0.40	.24-1.18	±.016
>30-120	±0.50	1.18-4.76	±.020
>120	±0.80	>4.76	±.031

THIS DRAWING CONTAINS INFORMATION THAT IS PROPRIETARY TO MOLEX ELECTRONIC TECHNOLOGIES, LLC AND SHOULD NOT BE USED WITHOUT WRITTEN PERMISSION											
FUNCTIONAL SYMBOLS		DIMENSION UNITS		SCALE		CURRENT REV DESC: MODIFIED SPECIFICATIONS					
FA = 0		MM/INCH		4:1		<p>EC NO: 735568</p> <p>DRWN: ABENJAMINLW 2023/01/05</p> <p>CHKD: DACHAMMER 2023/01/17</p> <p>APPR: JFMURPHY 2023/01/27</p> <p>INITIAL REVISION:</p> <p>DRWN: LROTHAUS 2006/01/09</p> <p>APPR: JPAWLICK 2006/01/10</p>					
FE = 0		GENERAL TOLERANCES (UNLESS SPECIFIED)									
FD = 0		MM		INCH							
DIVISIONAL SYMBOLS		4 PLACES ± --- ± ---		3 PLACES ± --- ± SEE CHART							
		2 PLACES ± --- ± SEE CHART		1 PLACE ± SEE CHART ± ---		DOCUMENT NUMBER		DOC TYPE		DOC PART	
		0 PLACES ± --- ± ---		ANGULAR TOL ± ---		SD-39522-002		PSD		001	
		DRAFT WHERE APPLICABLE MUST REMAIN WITHIN DIMENSIONS		THIRD ANGLE PROJECTION		SERIES		MATERIAL NUMBER		CUSTOMER	
				B-SIZE		39522		SEE SHEET-2		GENERAL MARKET	
						SHEET NUMBER				1 OF 2	



	10	9	8	7	6	5	4	3	2	1											
F			MATERIAL NUMBERS											DIMENSIONAL INFORMATION							
			BLACK						GREEN												
			100% TIN			30 u" GOLD			100% TIN			30 u" GOLD									
E	DESCRIPTION	CIRCUIT SIZE	PRINTING OPTIONS			PRINTING OPTIONS			PRINTING OPTIONS			PRINTING OPTIONS			DIM. "A"		DIM. "B"				
			None	10AV	11AV	None	10AV	11AV	None	10AV	11AV	None	10AV	11AV	mm	inch	mm	inch			
D	5.0MM, EURO HEADER, RIGHT ANGLE	2	395221002	395221102	395221202	395221502	395221602	395221702	395226002	395226102	395226202	395226502	395226602	395226702	12.00	.472	5.00	.197			
	5.0MM, EURO HEADER, RIGHT ANGLE	3	395221003	395221103	395221203	395221503	395221603	395221703	395226003	395226103	395226203	395226503	395226603	395226703	17.00	.669	10.00	.394			
	5.0MM, EURO HEADER, RIGHT ANGLE	4	395221004	395221104	395221204	395221504	395221604	395221704	395226004	395226104	395226204	395226504	395226604	395226704	22.00	.866	15.00	.591			
	5.0MM, EURO HEADER, RIGHT ANGLE	5	395221005	395221105	395221205	395221505	395221605	395221705	395226005	395226105	395226205	395226505	395226605	395226705	27.00	1.063	20.00	.787			
	5.0MM, EURO HEADER, RIGHT ANGLE	6	395221006	395221106	395221206	395221506	395221606	395221706	395226006	395226106	395226206	395226506	395226606	395226706	32.00	1.260	25.00	.984			
	5.0MM, EURO HEADER, RIGHT ANGLE	7	395221007	395221107	395221207	395221507	395221607	395221707	395226007	395226107	395226207	395226507	395226607	395226707	37.00	1.457	30.00	1.181			
	5.0MM, EURO HEADER, RIGHT ANGLE	8	395221008	395221108	395221208	395221508	395221608	395221708	395226008	395226108	395226208	395226508	395226608	395226708	42.00	1.654	35.00	1.378			
	5.0MM, EURO HEADER, RIGHT ANGLE	9	395221009	395221109	395221209	395221509	395221609	395221709	395226009	395226109	395226209	395226509	395226609	395226709	47.00	1.850	40.00	1.575			
	5.0MM, EURO HEADER, RIGHT ANGLE	10	395221010	395221110	395221210	395221510	395221610	395221710	395226010	395226110	395226210	395226510	395226610	395226710	52.00	2.047	45.00	1.772			
	5.0MM, EURO HEADER, RIGHT ANGLE	11	395221011	395221111	395221211	395221511	395221611	395221711	395226011	395226111	395226211	395226511	395226611	395226711	57.00	2.244	50.00	1.969			
	5.0MM, EURO HEADER, RIGHT ANGLE	12	395221012	395221112	395221212	395221512	395221612	395221712	395226012	395226112	395226212	395226512	395226612	395226712	62.00	2.441	55.00	2.165			
	5.0MM, EURO HEADER, RIGHT ANGLE	13	395221013	395221113	395221213	395221513	395221613	395221713	395226013	395226113	395226213	395226513	395226613	395226713	67.00	2.638	60.00	2.362			
	5.0MM, EURO HEADER, RIGHT ANGLE	14	395221014	395221114	395221214	395221514	395221614	395221714	395226014	395226114	395226214	395226514	395226614	395226714	72.00	2.835	65.00	2.559			
	5.0MM, EURO HEADER, RIGHT ANGLE	15	395221015	395221115	395221215	395221515	395221615	395221715	395226015	395226115	395226215	395226515	395226615	395226715	77.00	3.031	70.00	2.756			
	5.0MM, EURO HEADER, RIGHT ANGLE	16	395221016	395221116	395221216	395221516	395221616	395221716	395226016	395226116	395226216	395226516	395226616	395226716	82.00	3.228	75.00	2.953			
	5.0MM, EURO HEADER, RIGHT ANGLE	17	395221017	395221117	395221217	395221517	395221617	395221717	395226017	395226117	395226217	395226517	395226617	395226717	87.00	3.425	80.00	3.150			
	5.0MM, EURO HEADER, RIGHT ANGLE	18	395221018	395221118	395221218	395221518	395221618	395221718	395226018	395226118	395226218	395226518	395226618	395226718	92.00	3.622	85.00	3.346			
	5.0MM, EURO HEADER, RIGHT ANGLE	19	395221019	395221119	395221219	395221519	395221619	395221719	395226019	395226119	395226219	395226519	395226619	395226719	97.00	3.819	90.00	3.543			
	5.0MM, EURO HEADER, RIGHT ANGLE	20	395221020	395221120	395221220	395221520	395221620	395221720	395226020	395226120	395226220	395226520	395226620	395226720	102.00	4.016	95.00	3.740			
	5.0MM, EURO HEADER, RIGHT ANGLE	21	395221021	395221121	395221221	395221521	395221621	395221721	395226021	395226121	395226221	395226521	395226621	395226721	107.00	4.213	100.00	3.937			
	5.0MM, EURO HEADER, RIGHT ANGLE	22	395221022	395221122	395221222	395221522	395221622	395221722	395226022	395226122	395226222	395226522	395226622	395226722	112.00	4.409	105.00	4.134			
	5.0MM, EURO HEADER, RIGHT ANGLE	23	395221023	395221123	395221223	395221523	395221623	395221723	395226023	395226123	395226223	395226523	395226623	395226723	117.00	4.606	110.00	4.331			
	5.0MM, EURO HEADER, RIGHT ANGLE	24	395221024	395221124	395221224	395221524	395221624	395221724	395226024	395226124	395226224	395226524	395226624	395226724	122.00	4.803	115.00	4.528			
	A	DOCUMENT STATUS		P1	RELEASE DATE	2023/01/27	16:26:23														
FORMAT: Eng-lega-master-b-prod-8		REVISION: E1		DATE: 2021/05/01																	
		9	8	7	6	5	4	3	2	1											

TOLERANCES			
MM	TOL	INCH	TOL
0-6	±0.25	0-.24	±.010
>6-30	±0.40	.24-1.18	±.016
>30-120	±0.50	1.18-4.76	±.020
>120	±0.80	>4.76	±.031

FUNCTIONAL SYMBOLS	THIS DRAWING CONTAINS INFORMATION THAT IS PROPRIETARY TO MOLEX ELECTRONIC TECHNOLOGIES, LLC AND SHOULD NOT BE USED WITHOUT WRITTEN PERMISSION																
MM/INCH	SCALE	CURRENT REV DESC: MODIFIED SPECIFICATIONS															
2:1		molex 5.0MM, EURO HEADER, RIGHT ANGLE PRODUCT CUSTOMER DRAWING															
GENERAL TOLERANCES (UNLESS SPECIFIED)																	
4 PLACES ± --- ± ---		EC NO: 735568	2023/01/05														
3 PLACES ± --- ± SEE CHART		DRWN: ABENJAMINLW	2023/01/17														
2 PLACES ± SEE CHART ± SEE CHART		CHKD: DACHAMMER	2023/01/27														
1 PLACE ± SEE CHART ± ---		APPR: JFMURPHY															
0 PLACES ± --- ± ---		INITIAL REVISION:															
ANGULAR TOL ± ---		DRWN: LROTHAUS	2006/01/09														
		APPR: JPAWLICK	2006/01/10														
DRAFT WHERE APPLICABLE MUST REMAIN WITHIN DIMENSIONS	THIRD ANGLE PROJECTION	DRAWING	SERIES	MATERIAL NUMBER	CUSTOMER	DOCUMENT NUMBER	DOC TYPE	DOC PART	REVISION								
		B-SIZE	39522	SEE CHART	GENERAL MARKET	SD-39522-002	PSD	001	A3								
									2 OF 2								