

■ **Features**

- Single output to 6W
- 100-240Vac Universal Input
- Certificates: UL, CE
- Safety standard: IEC60950, IEC60601, IEC61558, IEC60335
- Frequency: 50-60Hz
- Ripple: 60mV
- OVP, OCP, SCP, and OTP
- Efficiency Level: VI
- Interchangeable Plug types: US, EU, AU, UK
- MTBF: 50,000 hours
- Dimension: 65x39.2x32.1mm (exclude plug)



\*Product images are for illustrative purposes only and may vary from actual design.

■ **Application**

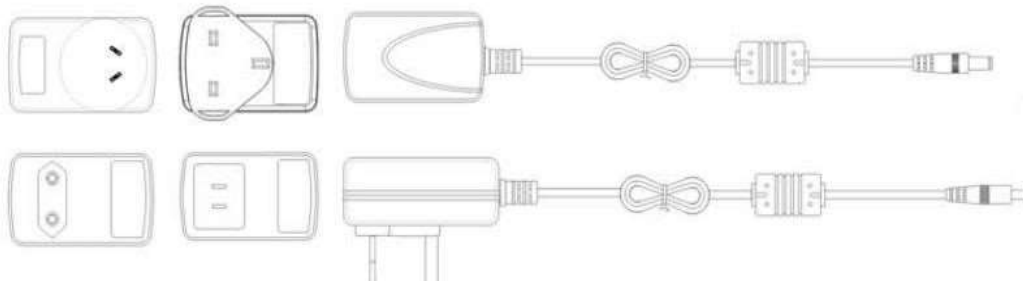
- Consumer electronics, Telecom and office equipment
- Industrial equipment

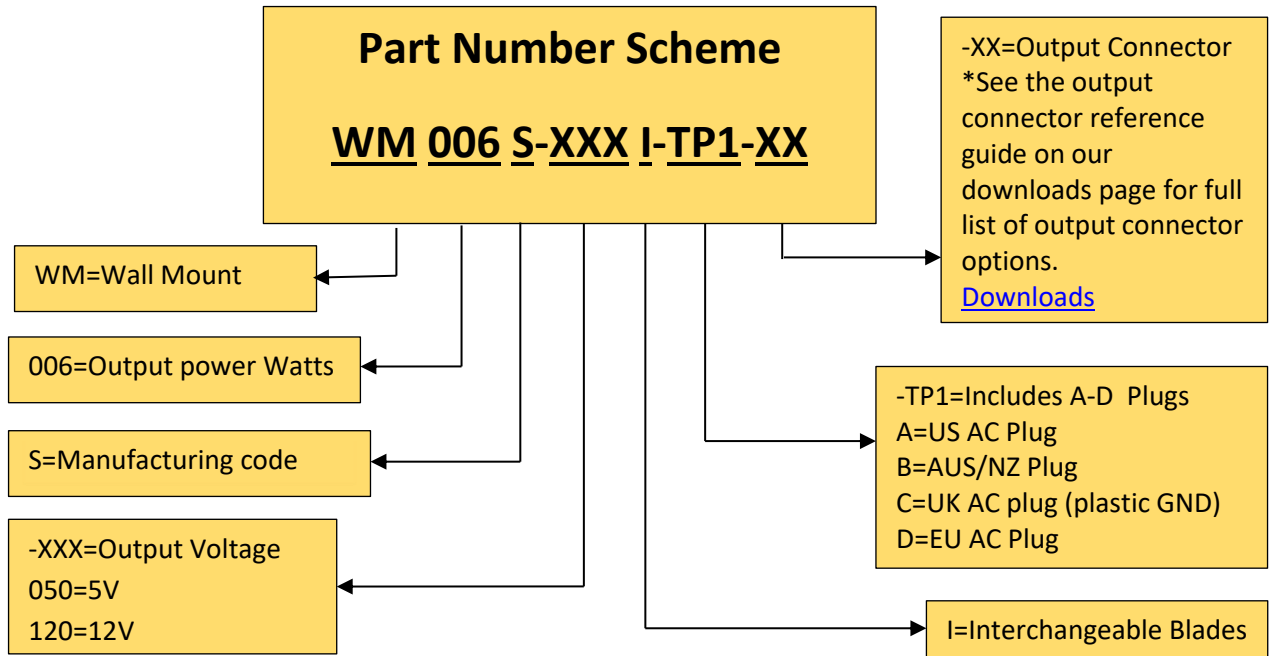
■ **Model List**

Custom Designs Available!

Model	Output Voltage	Output Current	Power	Certifications
WM006S-050I-TP1-XX	5V	1.2A	6W	UL, CE
WM006S-051I-TP1-XX	5V	1A	5W	UL, CE
WM006S-060I-TP1-XX	6V	1A	6W	UL, CE
WM006S-090I-TP1-XX	9V	0.6A	5.4W	UL, CE
WM006S-120I-TP1-XX	12V	0.5A	6W	UL, CE

■ **Mechanical Diagram**





\*Product images are for illustrative purposes only and may vary from actual design.

\*Specifications are subject to change without notice. Autec is not responsible for issues arising from errors or omissions.