

Microphone coupon board based on the IMP23ABSU analog MEMS microphone



Features

- 4 x IMP23ABSU bottom port analog MEMS microphones
- Vsupply from 1.52 to 3.6 V
- 130 dB SPL acoustic overload point
- Omnidirectional sensitivity
- Enhanced RF immunity
- Ultrasound bandwidth (up to 80 kHz)
- Ultra-low-power: 150 μ A max
- Sensitivity -38 dBV \pm 1 dB
- RoHS compliant

Description

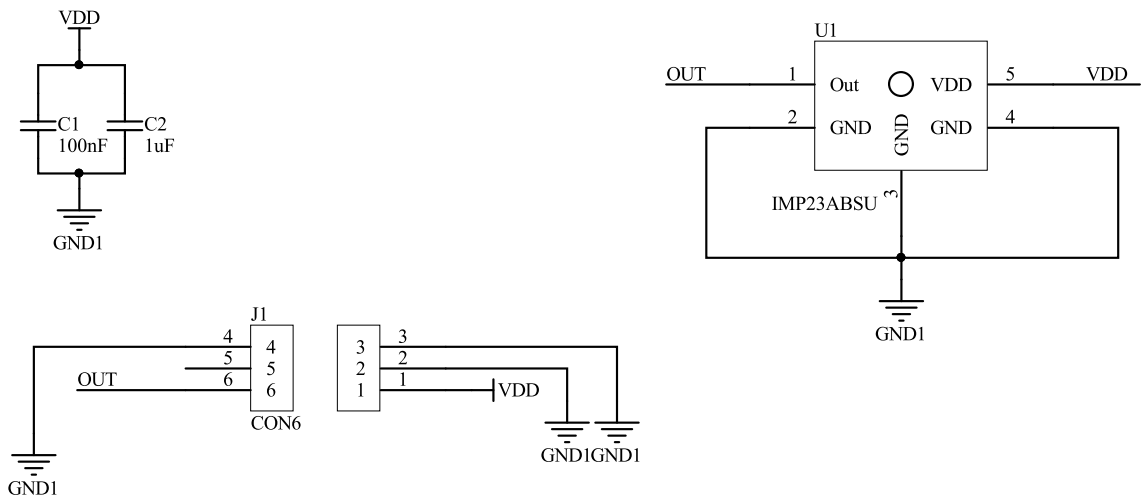
The STEVAL-MIC007V1 is a daughterboard containing 4 IMP23ABSU MEMS microphones.

The coupon concept allows easy performance testing of ST MEMS microphones. It is possible to detach the single PCBs hosting each microphone.

Product summary	
Microphone coupon board based on the IMP23ABSU analog MEMS microphone	STEVAL-MIC007V1
Analog bottom port microphone with frequency response up to 80kHz for ultrasound analysis and predictive maintenance applications	IMP23ABSU

1 Schematic diagrams

Figure 1. STEVAL-MIC007V1 board schematics



Revision history

Table 1. Document revision history

Date	Version	Changes
11-Nov-2020	1	Initial release.

IMPORTANT NOTICE – PLEASE READ CAREFULLY

STMicroelectronics NV and its subsidiaries (“ST”) reserve the right to make changes, corrections, enhancements, modifications, and improvements to ST products and/or to this document at any time without notice. Purchasers should obtain the latest relevant information on ST products before placing orders. ST products are sold pursuant to ST’s terms and conditions of sale in place at the time of order acknowledgement.

Purchasers are solely responsible for the choice, selection, and use of ST products and ST assumes no liability for application assistance or the design of Purchasers’ products.

No license, express or implied, to any intellectual property right is granted by ST herein.

Resale of ST products with provisions different from the information set forth herein shall void any warranty granted by ST for such product.

ST and the ST logo are trademarks of ST. For additional information about ST trademarks, please refer to www.st.com/trademarks. All other product or service names are the property of their respective owners.

Information in this document supersedes and replaces information previously supplied in any prior versions of this document.

© 2020 STMicroelectronics – All rights reserved