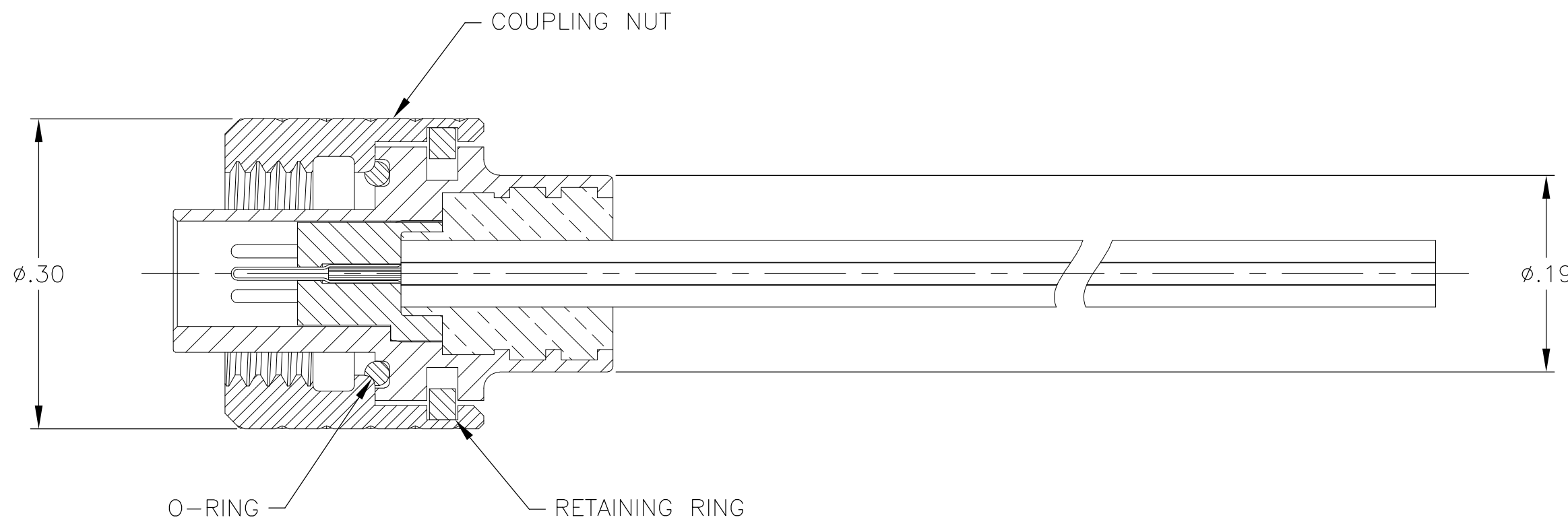
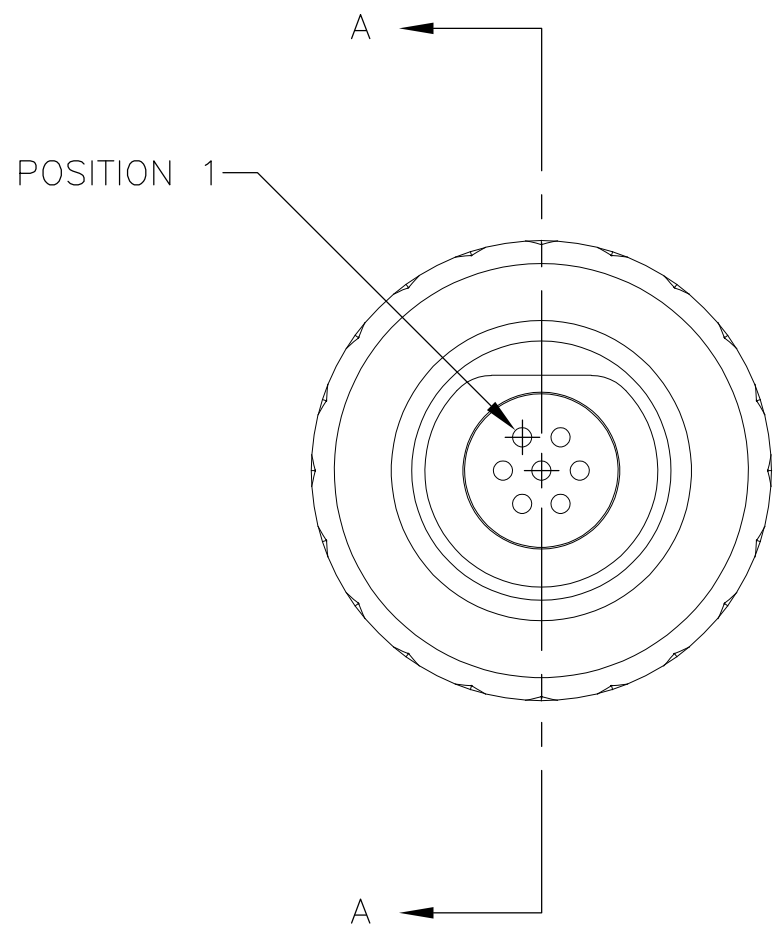
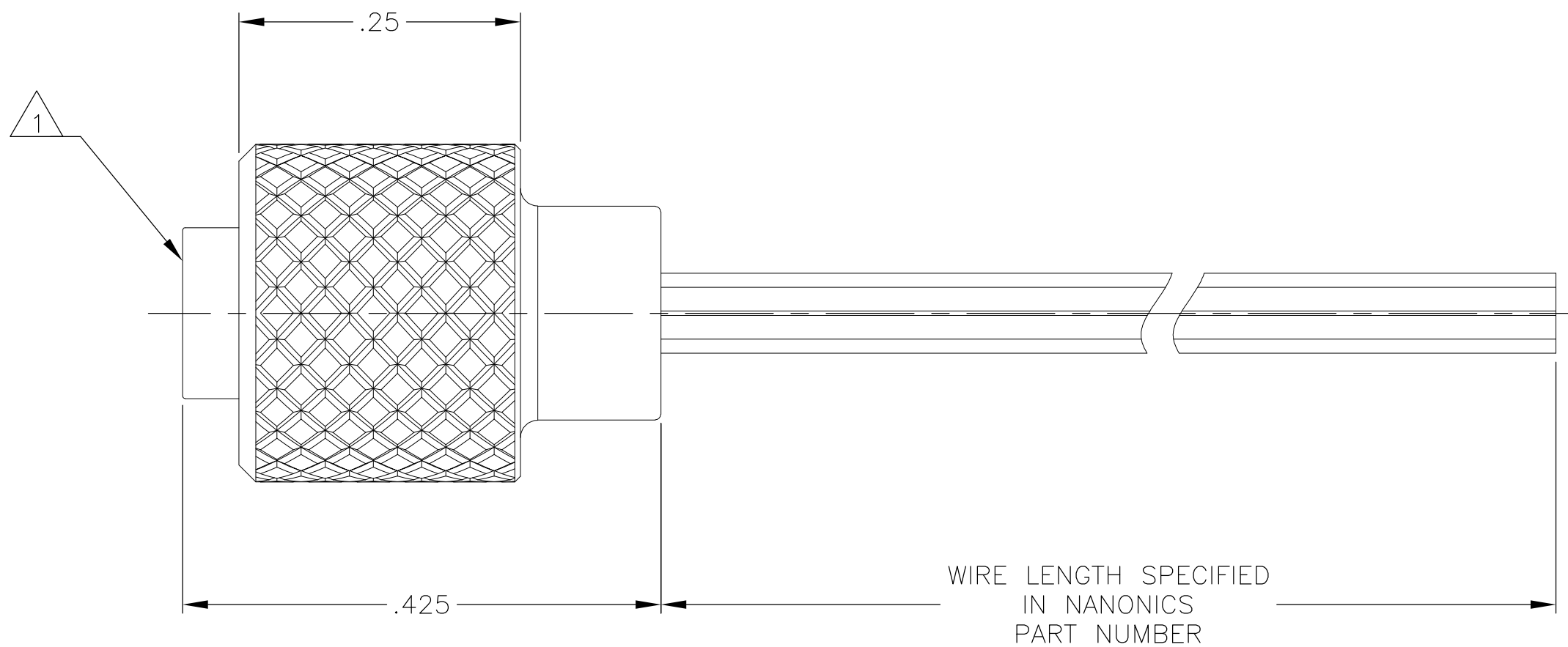
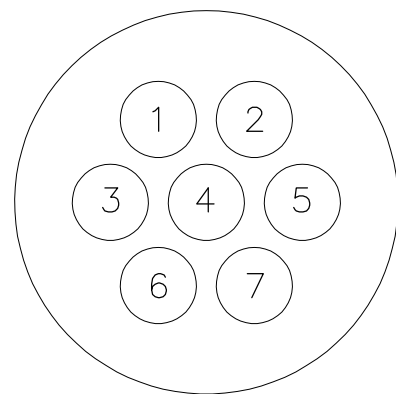


THIS DRAWING IS UNPUBLISHED. RELEASED FOR PUBLICATION
 © COPYRIGHT - By - ALL RIGHTS RESERVED.

LOC	DIST	REVISIONS					
		P	LTR	DESCRIPTION	DATE	DWN	APVD
-	-	L		UPDATE PER ECO-11-013272	28 JUN 11	CAS	MKS

CONTACT IDENTIFICATION



SECTION A-A

- 1 CONNECTOR BODY AND COUPLING NUT MATERIAL: 6061-T6 ALUMINUM, GOLD PLATED PER MIL-DTL-45204
 INSULATOR MATERIAL: LIQUID CRYSTAL POLYMER (LCP) PER ASTM D5138 OR POLYPHENYLENE SULFIDE (PPS) PER ASTM D4067
 RETAINING RING MATERIAL: STAINLESS STEEL, PASSIVATED PER SAE-AMS-2700
 O-RING MATERIAL: NITRILE
- 2 WIRE TERMINATION: 28 AWG SOLID, 30 AWG STRANDED WIRE OR SMALLER
- 3 PREVIOUS NANONICS DRAWING NUMBER C66001

THIS DRAWING IS A CONTROLLED DOCUMENT.		DWN	D. RYAN		04-28-97			PLUG ASSEMBLY, 7 POSITION, CIRCULAR, NCG SERIES	
DIMENSIONS: INCHES		CHK	E. PAULUS		08-29-97				
TOLERANCES UNLESS OTHERWISE SPECIFIED:		APVD	M. STORRY		04-24-02				
0 PLC ± - 1 PLC ± - 2 PLC ± .010 3 PLC ± .005 4 PLC ± - ANGLES ± 1°		NAME			SIZE				
MATERIAL SEE NOTE		FINISH SEE NOTE		WEIGHT		A2 OPJN9		C=1589425	
		CUSTOMER DRAWING		SCALE		8:1		SHEET 1 of 1	