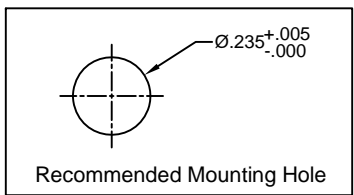
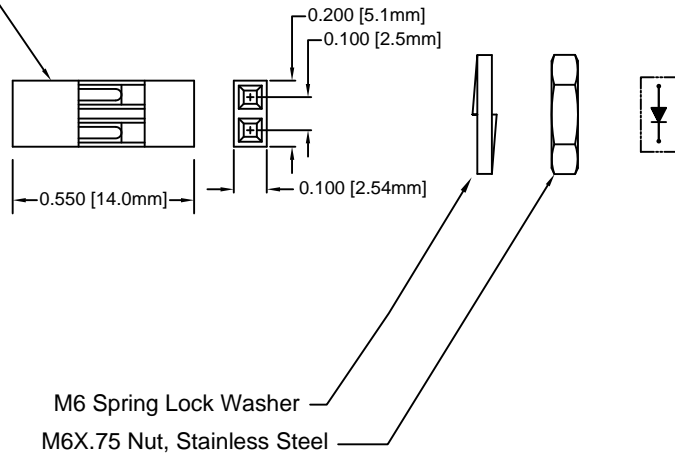
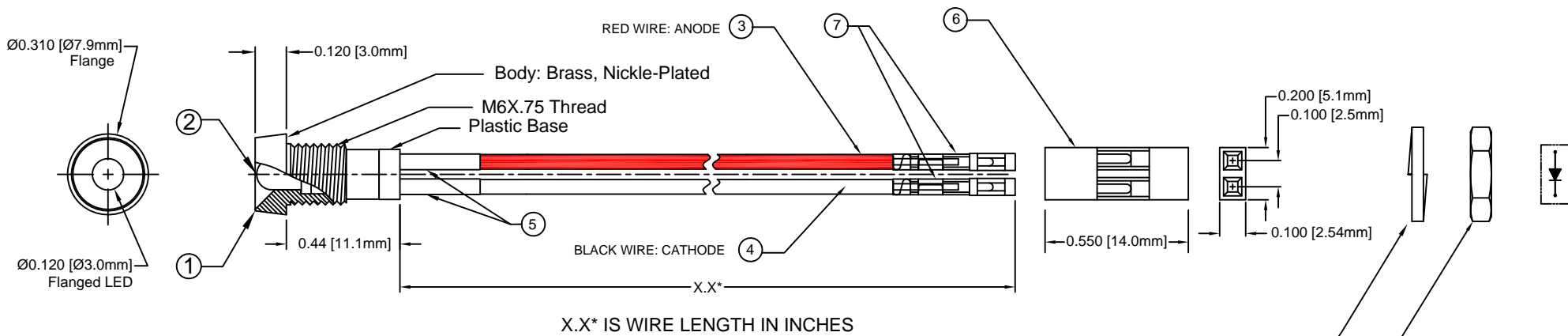


ITEM	QTY	PART NUMBER	PART DESCRIPTION
1	1	MPR3	Chrome Panel Mount Holder, 3mm
2	1	3XXX-F	T-1 (3mm) Flanged LED, P.2 & 3, Note P/N Designation
3	1	BWS24AWG-RD	24AWG Wire Lead U.L. 1007, Red
4	1	BWS24AWG-BK	24AWG Wire Lead U.L. 1007, Black
5	2	BST200-BK	Shrink Tubing, Black, .5" Cut Length
6	1	2665S020000	Leoco 2665 Series 2.54mm (100") Crimp Type Socket, 1X
7	2	2653TPB0001	Leoco Terminal# 2653TPB0001(Reel) 2653TPB00A1(Bulk)

REV.	DESCRIPTION	DATE	APPROVED
A	Engineering Release	08/17/09	T. Y.
B	Added 5V LED Spec on Page 3	08/14/16	J. C.



SPRING LOCK WASHER, M6X.75 SS NUT, AND CONNECTOR INCLUDED, PACKED SEPARATELY.

P/N Designation:  
**MPR3GD5VW6.5-CC**  
 Connector  
 Wire Length "X.X", inches  
 - " " Standard LED  
 - "5V" 5V LED  
 - "L" Low Current LED  
 LED Color & Lens Appearance  
 Series


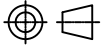
### ABSOLUTE MAXIMUM RATINGS (Ta = 25°C)

- REVERSE VOLTAGE \_\_\_\_\_ 5V
- REVERSE CURRENT ( VR=5V) \_\_\_\_\_ 100µA
- OPERATING TEMPERATURE RANGE \_\_\_\_\_ -25°C ~ 85°C
- STORAGE TEMPERATURE \_\_\_\_\_ -30°C ~ 100°C
- LEAD SOLDERING TEMPERATURE (1/16" FROM BODY) \_\_\_\_\_ 260°C for 5 Seconds

STANDARD TOLERANCE (UNLESS OTHERWISE SPECIFIED)		 4 THOMAS, IRVINE, CA. 92618 TEL: (949) 951-8808 FAX: (949) 951-3974	
DECIMALS	ANGULAR		
.X ± .1	X° ± 1°	 <b>TITLE: 3MM RECESSED CHROME          PANEL MOUNT ASSY</b>	
.XX ± .02			
.XXX ± .010			
DESIGNED: <b>R. Paje</b>	DATE: <b>08/17/09</b>	<b>PART NO:</b> <b>MPR3XXWX.X-CC</b>	REVISION: <b>B</b>
CHECKED: <b>T. Yin</b>	DATE: <b>08/17/09</b>	<b>CAGE CODE : 32559</b>	<b>SHEET # 1 OF 3</b>
CAD GENERATED DOCUMENT. DO NOT MEASURE DRAWING.			


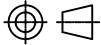
REV.	DESCRIPTION	DATE	APPROVED
	SEE SHEET #1		

LED Assy. No.	Peak Wave Length $\lambda_p$ (nm)	Emitted Color	Lens Appearance	Abs. Max Rating	Electro-Optical Data			Viewing Angle 2 $\theta$ 1/2 (Deg)	LED P/N
					Vf (V)		Iv (mcd)		
					If (mA)	TYP	MAX		
<b>Standard</b>				<b>Data @ 20mA</b>					
MPR3BWCWX.X-CC	430	BLUE	WATER CLEAR	25	4.0	4.5	50	30	3BWC-F
MPR3BWDWX.X-CC	430	BLUE	DIFFUSED	25	4.0	4.5	20	45	3BWD-F
MPR3BWTWX.X-CC	430	BLUE	TINTED	25	4.0	4.5	50	30	3BWT-F
MPR3UBWC.6KWX.X-CC	466	BLUE	WATER CLEAR	50	3.5	4.5	600	20	3UBWC-0.6K-F
MPR3GCWX.X-CC	565	GREEN	WATER CLEAR	30	2.2	2.6	65	30	3GC-F
MPR3GDWX.X-CC	565	GREEN	DIFFUSED	30	2.2	2.6	30	45	3GD-F
MPR3GTWX.X-CC	565	GREEN	TINTED	30	2.2	2.6	65	30	3GT-F
MPR3SGCWX.X-CC	568	GREEN	WATER CLEAR	30	2.2	2.6	120	30	3SGC-F
MPR3SGDWX.X-CC	568	GREEN	DIFFUSED	30	2.2	2.6	55	45	3SGD-F
MPR3SGTWX.X-CC	568	GREEN	TINTED	30	2.2	2.6	120	30	3SGT-F
MPR3YCWX.X-CC	585	YELLOW	WATER CLEAR	30	2.1	2.6	55	30	3YC-F
MPR3YDWX.X-CC	585	YELLOW	DIFFUSED	30	2.1	2.6	20	45	3YD-F
MPR3YTWX.X-CC	585	YELLOW	TINTED	30	2.1	2.6	55	30	3YT-F
MPR3ACWX.X-CC	610	AMBER	WATER CLEAR	30	2.2	2.6	65	30	3AC-F
MPR3ADWX.X-CC	610	AMBER	DIFFUSED	30	2.2	2.6	30	45	3AD-F
MPR3ATWX.X-CC	610	AMBER	TINTED	30	2.2	2.6	65	30	3AT-F
MPR3HCWX.X-CC	635	HE RED	WATER CLEAR	30	2.0	2.6	100	30	3HC-F
MPR3HDWX.X-CC	635	HE RED	DIFFUSED	30	2.0	2.6	30	45	3HD-F
MPR3HTWX.X-CC	635	HE RED	TINTED	30	2.0	2.6	100	30	3HT-F
MPR3RCWX.X-CC	655	RED	WATER CLEAR	40	1.7	2.0	18	30	3RC-F
MPR3RDWX.X-CC	655	RED	DIFFUSED	40	1.7	2.0	6	45	3RD-F
MPR3RTWX.X-CC	655	RED	TINTED	40	1.7	2.0	18	30	3RT-F
MPR3SRCWX.X-CC	660	SUPER RED	WATER CLEAR	20	1.7	2.6	250	30	3SRC-F
MPR3SRDWX.X-CC	660	SUPER RED	DIFFUSED	20	1.7	2.6	90	45	3SRD-F
MPR3SRTWX.X-CC	660	SUPER RED	TINTED	20	1.7	2.6	250	30	3SRT-F
MPR3UWC0.6KWX.X-CC	X=.29 Y=.30	WHITE	WATER CLEAR	50	3.5	4.5	600	20	3UWC-0.6K-F

STANDARD TOLERANCE ( UNLESS OTHERWISE SPECIFIED ) DECIMALS                      ANGULAR		 <b>BIVAR</b> <sup>®</sup> 4 THOMAS, IRVINE, CA. 92618 TEL: (949) 951-8808    FAX: (949) 951-3974		
				<b>TITLE:</b> 3MM RECESSED CHROME PANEL MOUNT ASSY
DESIGNED: <b>R. Paje</b>	DATE: <b>08/17/09</b>	<b>PART NO:</b> MPR3XXWX.X-CC		REVISION: <b>B</b>
CHECKED: <b>T. Yin</b>	DATE: <b>08/17/09</b>	<b>CAGE CODE :</b> 32559		<b>SHEET # 2 OF 3</b> <small>CAD GENERATED DOCUMENT. DO NOT MEASURE DRAWING.</small>

REV.	DESCRIPTION	DATE	APPROVED
	SEE SHEET #1		

LED Assy. No.	Peak Wave Length $\lambda_p$ (nm)	Emitted Color	Lens Appearance	Electro-Optical Data				Viewing Angle $2\theta \frac{1}{2}$ (Deg)	LED P/N
				I <sub>f</sub> (mA)	V <sub>f</sub> (V)		I <sub>v</sub> (mcd)		
				MAX	TYP	MAX	TYP		
<b>Low Current</b>				<b>Data @ 2mA</b>					
MPR3ADLWX.X-CC	605	AMBER	DIFFUSED	7	2.0	2.6	4	35	3ADL-F
MPR3BVDLWX.X-CC	430	BLUE	DIFFUSED	7	3.8	4.2	3	35	3BVDL-F
MPR3GDLWX.X-CC	568	GREEN	DIFFUSED	7	2.1	2.6	4	35	3GDL-F
MPR3HDLWX.X-CC	625	HE RED	DIFFUSED	7	2.0	2.6	3	35	3HDL-F
MPR3RDLWX.X-CC	700	RED	DIFFUSED	7	2.1	2.8	1	35	3RDL-F
MPR3SRDLWX.X-CC	645	SUPER RED	DIFFUSED	7	1.7	2.4	8	35	3SRDL-F
MPR3YDLWX.X-CC	590	YELLOW	DIFFUSED	7	2.0	2.6	2	35	3YDL-F
<b>5 VOLT</b>				<b>Data @ 5V</b>					
MPR3BWD5VWX.X-CC	430	BLUE	DIFFUSED	-	-	5	10	35	3BWD5V-F
MPR3GC5VWX.X-CC	568	GREEN	WATER CLEAR	-	-	5	40	20	3GC5V-F
MPR3GD5VWX.X-CC	568	GREEN	DIFFUSED	-	-	5	25	35	3GD5V-F
MPR3GT5VWX.X-CC	568	GREEN	TINTED	-	-	5	40	20	3GT5V-F
MPR3AD5VWX.X-CC	605	AMBER	DIFFUSED	-	-	5	25	35	3AD5V-F
MPR3HD5VWX.X-CC	625	HE RED	DIFFUSED	-	-	5	30	35	3HD5V-F
MPR3RD5VWX.X-CC	700	RED	DIFFUSED	-	-	5	2	35	3RD5V-F
MPR3YD5VWX.X-CC	590	YELLOW	DIFFUSED	-	-	5	20	35	3YD5V-F

STANDARD TOLERANCE ( UNLESS OTHERWISE SPECIFIED )		 4 THOMAS, IRVINE, CA. 92618 TEL: (949) 951-8808 FAX: (949) 951-3974	
DECIMALS	ANGULAR		
		 <b>TITLE:</b> 3MM RECESSED CHROME PANEL MOUNT ASSY	
DESIGNED: <b>R. Paje</b>	DATE: <b>08/17/09</b>	<b>PART NO:</b> MPR3XXWX.X-CC	REVISION: <b>B</b>
CHECKED: <b>T. Yin</b>	DATE: <b>08/17/09</b>	<b>CAGE CODE :</b> 32559	<b>SHEET #</b> 3 OF 3
CAD GENERATED DOCUMENT. DO NOT MEASURE DRAWING.			