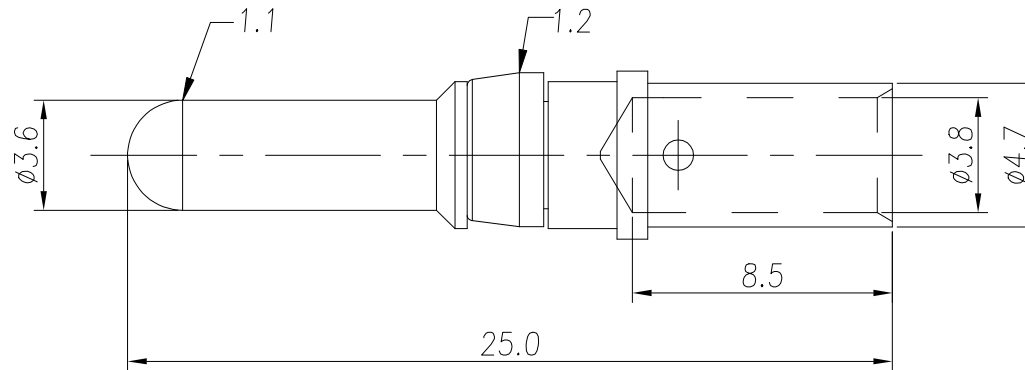


NOTE: (A2)

ONLY SUITABLE FOR RT360 SERIES 1403 LAYOUT WITH "EC" PART NUMBERT CONNECTOR

REVISIONS					
REV	ECO	DESCRIPTION	DATE	BY	APPR
A1	-	FIRST RELEASED	Jul-17-2019	Ronald	Tommy
A2	-	Add the note	Sep-14-21	Flan	Tommy



NOTES: (UNLESS OTHERWISE SPECIFIED)

1. MATERIAL:
  - 1.1. CONTACT BODY: COPPER ALLOY.
  - 1.2. POSITIONING CLIP: COPPER ALLOY.
2. SPECIFICATIONS:
  - 2.1 CURRENT RATING: 45A(MAX).
  - 2.2 TERMINATION TYPE: CRIMPING.
  - 2.3 WIRE RANGE: 10~12AWG.
3. SUITABLE CONTACT : MS10A23xx.
4. RoHS COMPLIANT.
5. ALL DIMENSIONS ARE FOR REFERENCE USE ONLY.

P/N	CONTACT PLATING(MATING AREA)
MP10A23TL	TIN PLATING OVER NICKEL.
MP10A23SL	SILVER PLATING OVER NICKEL.
MP10A23FL	GOLD FLASH PLATING OVER NICKEL.
MP10A23G5L	5μ" GOLD PLATING OVER NICKEL.
MP10A23G10L	10μ" GOLD PLATING OVER NICKEL.
MP10A23G15L	15μ" GOLD PLATING OVER NICKEL.
MP10A23G30L	30μ" GOLD PLATING OVER NICKEL.

QUANTITY	PART NUMBER	DESCRIPTION	ITEM
<b>MATERIALS LIST</b>			
<b>UNLESS OTHERWISE SPECIFIED</b> 1) All dimensions are in metric(mm). 2) Tolerances are as follows: 1 PL DEC ±0.30 2 PL DEC ±0.15 3 PL DEC ±0.08 3) Note reference =		<b>SIGNATURES</b> DRAWN: Flan CHECKED: Orion ENGINEER: APPROVAL: Tommy DATE: Sep-14-21 Sep-15-21 Sep-15-21	<b>Amphenol</b> Sine Systems - www.amphenol-sine.com 44724 Morley Drive Clinton Township, MI 48036
MATERIAL SPECIFICATIONS: PROCESS SPECIFICATIONS: NEXT ASSY:		THIS DRAWING IS SUPPLIED FOR INFORMATION ONLY. DESIGN FEATURES, SPECIFICATIONS AND PERFORMANCE DATA SHOWN HEREON ARE THE PROPERTY OF THE AMPHENOL CORPORATION. NO RIGHTS OF REPRODUCTION ARE IMPLIED. ALL DIMENSIONS ARE SUBJECT TO NORMAL MANUFACTURING VARIATIONS.	EcoMate RM,PIN CONTACT MACHINE,MALE,CONTACT,3.6mm SIZE: B C- TYPE: NONE DWG NO: MP10A23xL REVISION: A2 SCALE: NONE SHEET 1 OF 1

TITLE: EcoMate RM,PIN CONTACT, MACHINE,MALE,CONTACT,3.6mm  
DWG NO: MP10A23xL  
REV: A2  
SH: 1  
OF: 1