

Attn.: _____

HIROSE ELECTRIC CO., LTD.

5-23, OSAKI 5-CHOME, SHINAGAWA-KU, TOKYO, JAPAN

Notice of Change of Model Number of Wire Connection Hand Tools for DF62 Series and Request for Your Acknowledgement

Hirose would like to take this opportunity to thank you sincerely for your support, and we hope this letter finds you well and prosperous.

We are writing today to inform you that we will change the model numbers of wire connection hand tools for DF62 series due to the reasons described below.

We request that you kindly offer your consent to this matter.

1. Products Affected

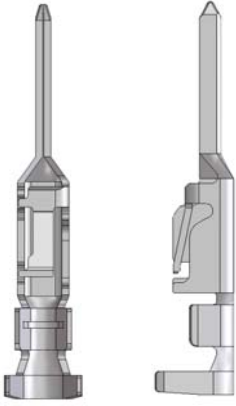
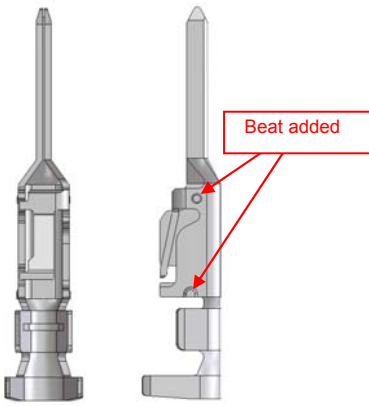
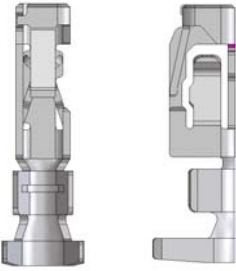
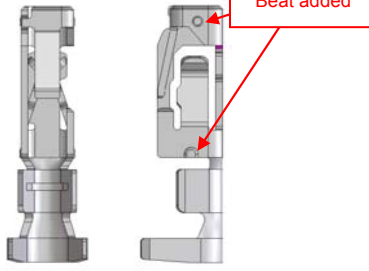
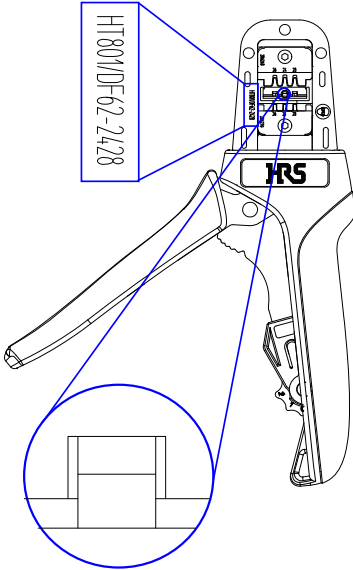
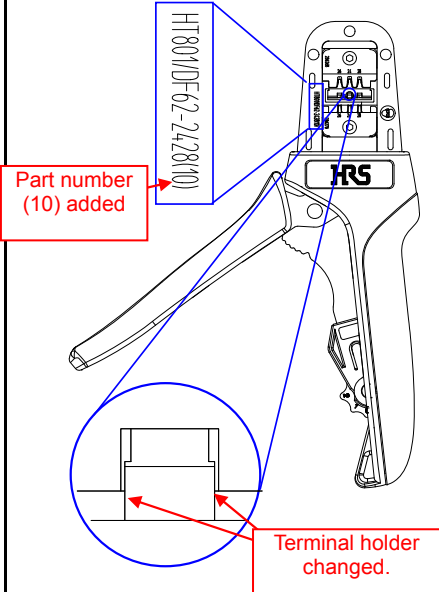
	Terminal Product Name	Applicable Hand Tool			
		Current		New	
		CL Code	Product Name	CL Code	Product Name
Loose terminal for socket (gold plated)	DF62-22SCA	550-0401-9-00	HT801/DF62-22	550-0401-9-10	HT801/DF62-22(10)
	DF62-2428SCA	550-0400-6-00	HT801/DF62-2428	550-0400-6-10	HT801/DF62-2428(10)
	DF62-30SCA	550-0402-1-00	HT801/DF62-30	550-0402-1-10	HT801/DF62-30(10)
Loose terminal for plug (gold plated)	DF62-EP22PCA	550-0401-9-00	HT801/DF62-22	550-0401-9-10	HT801/DF62-22(10)
	DF62-EP2428PCA	550-0400-6-00	HT801/DF62-2428	550-0400-6-10	HT801/DF62-2428(10)
	DF62-EP30PCA	550-0402-1-00	HT801/DF62-30	550-0402-1-10	HT801/DF62-30(10)
Loose terminal for socket (tin plated)	DF62-22SC	—	—	550-0401-9-10	HT801/DF62-22(10)
	DF62-2428SC	—	—	550-0400-6-10	HT801/DF62-2428(10)
	DF62-30SC	—	—	550-0402-1-10	HT801/DF62-30(10)
Loose terminal for plug (tin plated)	DF62-EP22PC	—	—	550-0401-9-10	HT801/DF62-22(10)
	DF62-EP2428PC	—	—	550-0400-6-10	HT801/DF62-2428(10)
	DF62-EP30PC	—	—	550-0402-1-10	HT801/DF62-30(10)

2. Details of the Change

Along with the sales of tin plated terminals were started for DF62 series in addition to the gold plated terminals, we will change the model numbers of wire connection hand tools (See 1. Products Affected).

3. Reasons for the Change

As the forms of the tin plated terminals are different from those of the gold plated terminals, tin plated terminals crimped with the current hand tools may result in quality problems.

		Gold plated terminal HT801/DF62-**	Tin plated terminal HT801/DF62-**(10)
Terminal appearance	P		
	S		
Hand Tool Appearance			

4. Differences Resulting from the Change

- (1) The current hand tools are applicable to gold plated terminals only.
- (2) The new hand tools are applicable to both gold plated terminals and tin plated terminals.
- (3) We cannot guarantee quality of tin plated terminals crimped with the current hand tools.

5. Discontinuation of the Sale of Current Hand Tools

We will stop accepting orders for the current hand tools as of May 1, 2014.

6. Timing of Change

We have already started the sales of the new hand tools.

For customers who already purchased the current hand tools, we will exchange them to the new hand tools at free of charge upon receiving the old ones.

We will send the new hand tools in advance if it is not possible to send the old ones to us for particular reasons. Please contact a Hirose representative.

Acknowledgment

(Customer -> Hirose Electric business representative)

Notice of Change of Model Number of Wire Connection Hand Tools for DF62 Series and Request for Your Acknowledgement

We acknowledge the aforementioned matter.

●Customer's name: _____

●Acknowledgment stamp (or signature): _____

HIROSE ELECTRIC CO., LTD.

(Cut on this line)

Document Receipt

(Hirose Electric business representative -> Customer)

Notice of Change of Model Number of Wire Connection Hand Tools for DF62 Series and Request for Your Acknowledgement

We have received the aforementioned document.

●Customer's name: _____

●Acknowledgment stamp (or signature): _____

HIROSE ELECTRIC CO., LTD.