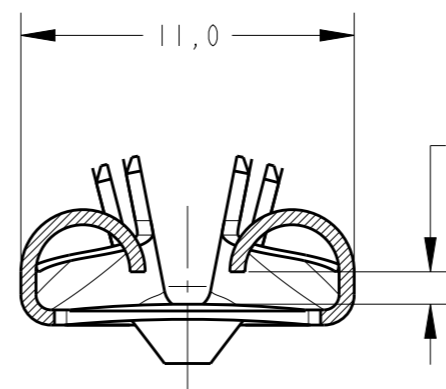
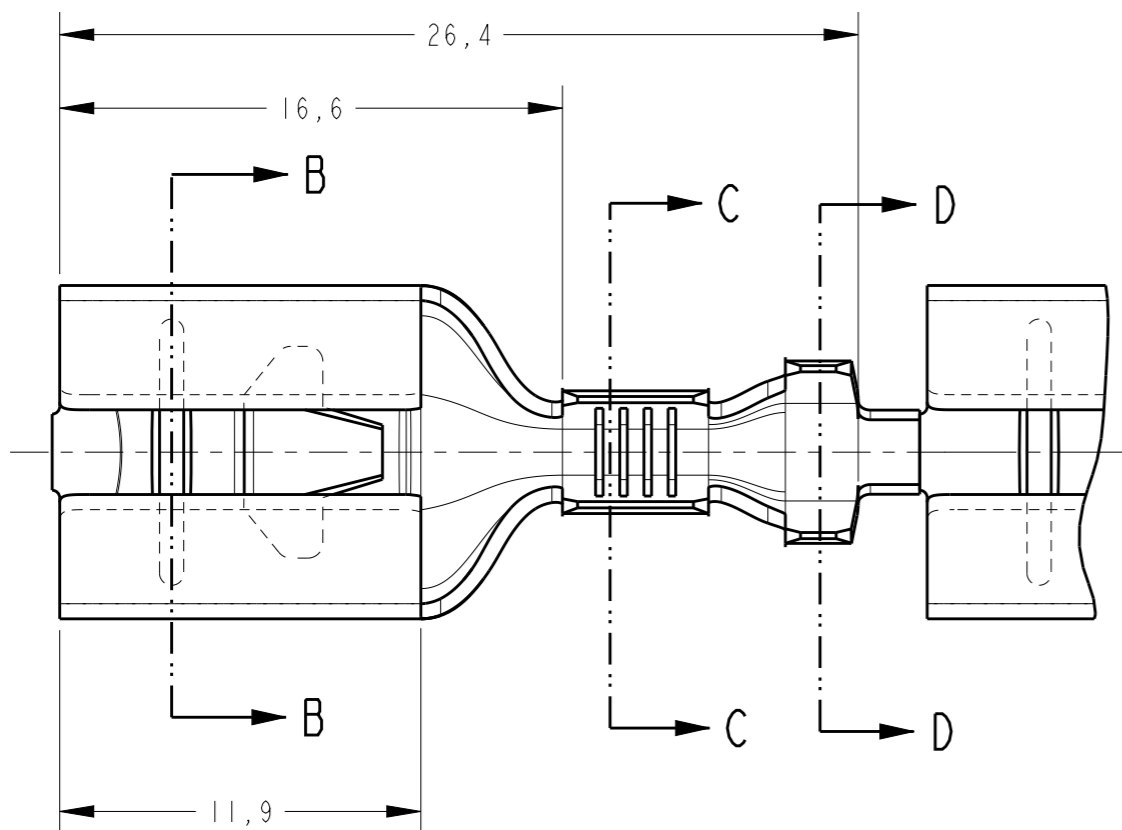


creo  
Creo Parametric 2.0  
**DO NOT REVISE  
EXCEPT BY CAD**

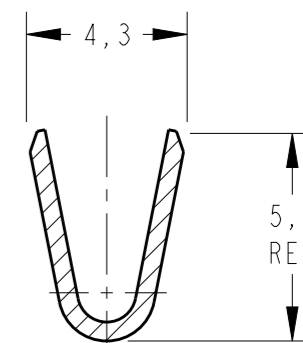
REVISIONS

P	LTR	DESCRIPTION	DATE	DWN	APVD
	C	REDRAW BY CAD ECO-14-008817	16JUN2014	NCL	LWP
	CI	REVISED BY ECO 16-003723	29JUN2016	HC	WLS

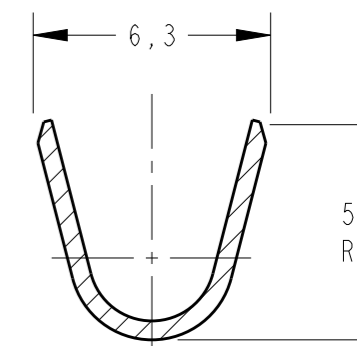


SECTION B-B  
SCALE 4:1

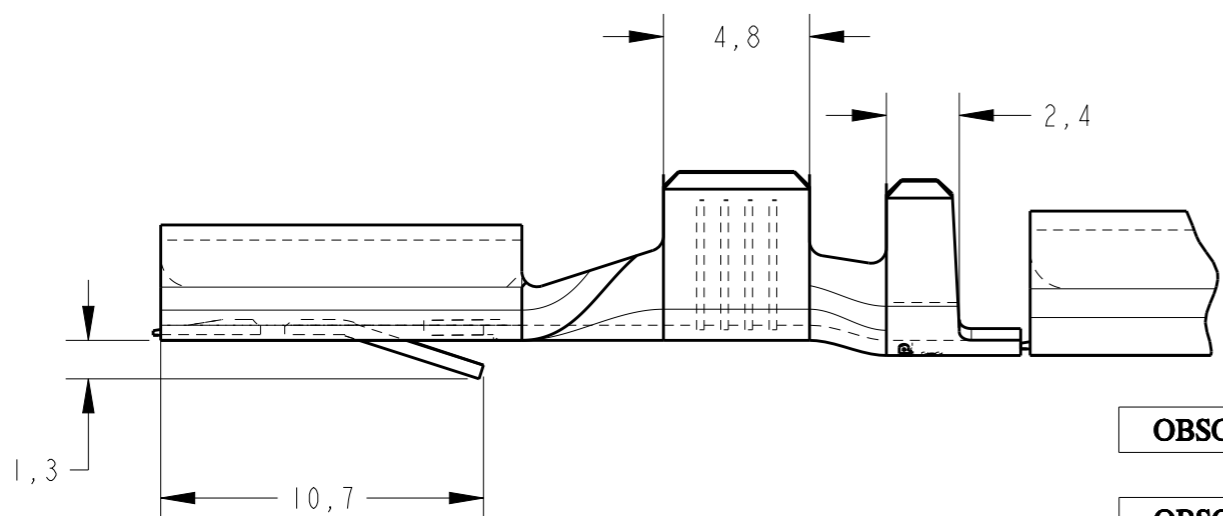
PARA LINGUETA  
1,2 ESP. x 9,5 LARG.  
FOR TAB 1,2 THK x 9,5 WIDTH



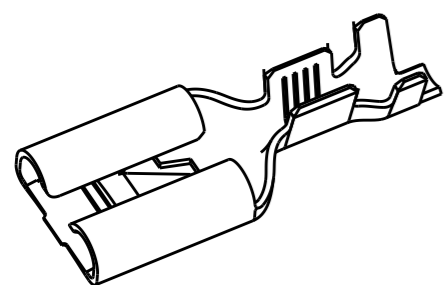
SECTION C-C  
SCALE 5:1



SECTION D-D  
SCALE 5:1



	FINISH	MATERIAL	PART NUMBER
<b>OBSOLETE</b>	ESTANHADO / TIN PLATED	BRONZE FOSF. / PHOP. BRONZE	880003 -4
		BRONZE FOSF. / PHOP. BRONZE	<del>880003 -3</del>
<b>OBSOLETE</b>	ESTANHADO / TIN PLATED	LATÃO / BRASS	880003 -2
		LATÃO / BRASS	<del>880003 -1</del>



PERSPECTIVE VIEW  
SCALE 2:1

WIRE RANGE  
2,5-4,0mm<sup>2</sup>  
INS. DIA. RANGE  
Ø 3,3-4,5mm

THIS DRAWING IS A CONTROLLED DOCUMENT.

DIMENSIONS: mm	TOLERANCES UNLESS OTHERWISE SPECIFIED: 0 PLC ± 1 PLC ±0,3 2 PLC ± 3 PLC ± 4 PLC ± ANGLES ±1°	DWN 25FEB2014 NCLAPRESA CHK 25FEB2014 JRGOLDSCHMIDT APVD 25FEB2014 DAOLIVEIRA	TE Connectivity		
MATERIAL SEE TABLE	FINISH SEE TABLE	PRODUCT SPEC 108-37015	NAME - FASTIN-ON .375 RECEPTACLE		
		APPLICATION SPEC -	SIZE A3	CAGE CODE -	DRAWING NO C-880003
		WEIGHT -	RESTRICTED TO -		
CUSTOMER DRAWING			SCALE 4:1	SHEET 1	OF 1