

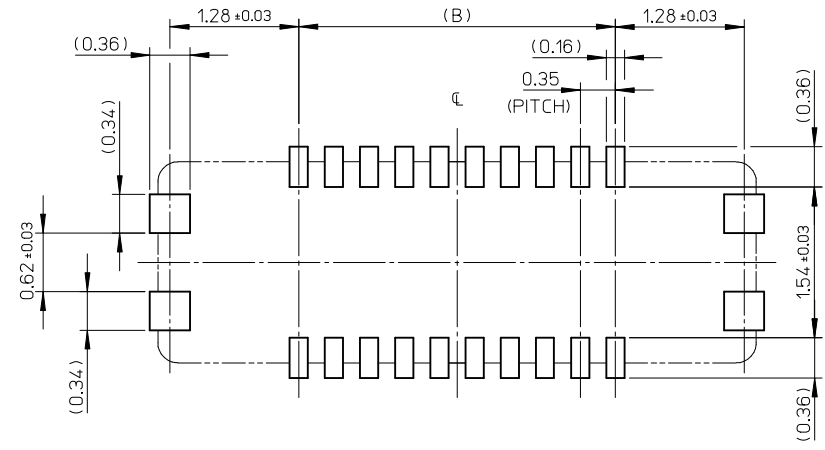
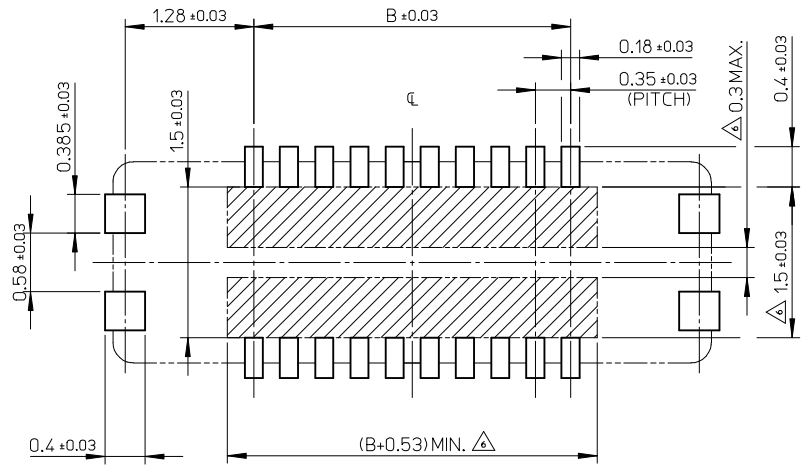
NOTES

- MATERIAL
HOUSING : LIQUID CRYSTAL POLYMER UL94V-0(COLOR : BLACK)
TERMINAL : COPPER ALLOY
FITTING NAIL : COPPER ALLOY
- PLATING
TERMINAL :
GOLD
UNDER PLATING : NICKEL
*DIVIDE INTO PARTS THE GOLD PLATING OF THE CONTACT AND THE TAIL PART BY THE NICKEL PLATING.
FITTING NAIL :
GOLD
UNDER PLATING : NICKEL
*DIVIDE INTO PARTS THE GOLD PLATING OF THE CONTACT AND THE TAIL PART BY THE NICKEL PLATING.
- APPLY FOR (CIRCUIT/2)=EVEN.
- MATE WITH : 505070-***10
- TAIL AND FITTING NAIL COPLANARITY TO BE 0.08MAXIMUM.
- PROHIBITED AREA OF PATTERN WIRING AND SOLDER.
(FOR EACH AREA, THE WIRING THAT TOUCHES ON THE SOLDER CAN BE ATTACHED, THEN COVERED WITH A FILM TO KEEP SOLDER OUT.)
- ELV and RoHS COMPLIANT.

1.75	4.55	505066-1210	o	---	12
0.70	3.50	505066-0610	o	---	6
B	A	EMBOSSED TAPE PACKAGE	HIGH VOL. TOOL	LOW VOL. TOOL	CIRCUIT
		ORDER NO.	SAMPLE PREPARATION o : TOOLED Δ : WORK IN PROCESS ---: TOOLING TO BE CONFIRMED		

CONNECTOR SERIES No. : 505066-***09

REVISED EC NO: J2016-1010 DRWN:MIT001 2016/03/30 CHKD:TASAKAWA 2016/03/30 APPR:KMORIKAWA 2016/03/31	GENERAL TOLERANCES (UNLESS SPECIFIED)		DIMENSION STYLE MM ONLY		SCALE 20:1	DESIGN UNITS METRIC	THIRD ANGLE PROJECTION
	0.25 UNDER	± 0.03	DRAWN BY	DATE	TITLE		
	0.25 OVER 0.5 UNDER	± 0.05	KSASAKI	2014/04/07	0.35 BB CONN. H=0.6 SSB6 RP REC. ASSY		
	0.5 OVER 1.0 UNDER	± 0.1	CHECKED BY	DATE			
	1.0 OVER 10 UNDER	± 0.2	KTANAKA03	2014/04/07			
10 OVER 30 UNDER	± 0.25	APPROVED BY	DATE	DOCUMENT NO.		SHEET NO.	
30 OVER	± 0.3	KMORIKAWA	2014/04/08	SD-505066-001		1 OF 2	
ANGULAR ±1 °		MATERIAL NO.		SEE CHART			
DRAFT WHERE APPLICABLE MUST REMAIN WITHIN DIMENSIONS		SIZE A3	THIS DRAWING CONTAINS INFORMATION THAT IS PROPRIETARY TO MOLEX ELECTRONIC TECHNOLOGIES, LLC AND SHOULD NOT BE USED WITHOUT WRITTEN PERMISSION				

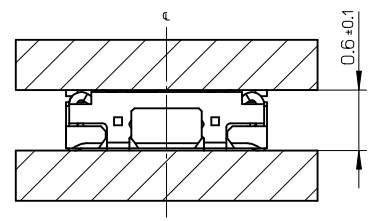


RECOMMENDED P.W.BOARD PATTERN LAYOUT (REFERENCE)

△ PROHIBITED AREA OF PATTERN WIRING AND SOLDER.
 (FOR EACH AREA, THE WIRING THAT TOUCHES ON THE SOLDER
 CAN BE ATTACHED, THEN COVERED WITH A FILM TO KEEP SOLDER OUT.)

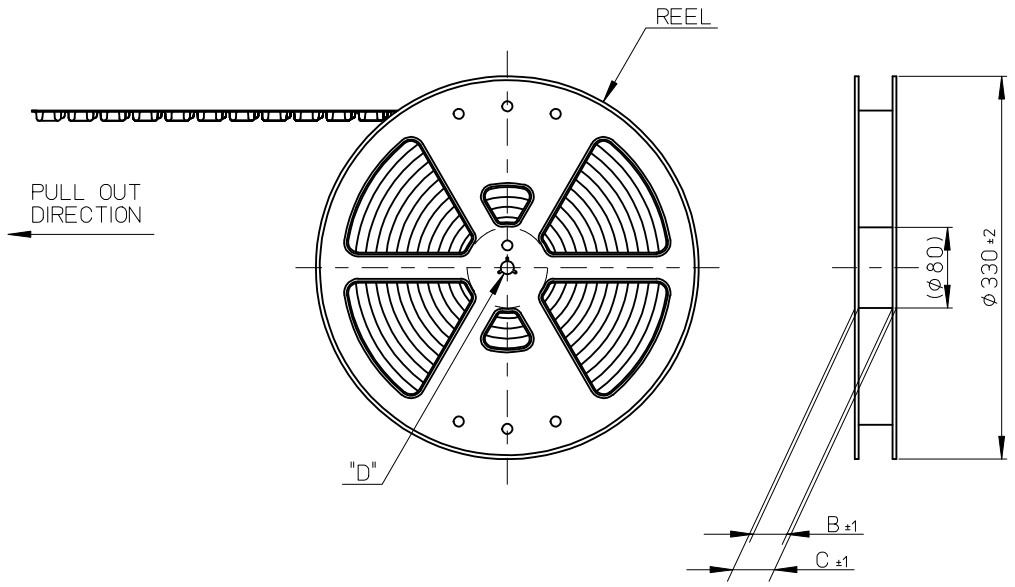
RECOMMENDED METAL MASK LAYOUT (REFERENCE)

RECOMMENDED THICKNESS OF METAL MASK : t=0.08mm
 RECOMMENDED OPEN APERTURE RATIO OF METAL MASK : 80%

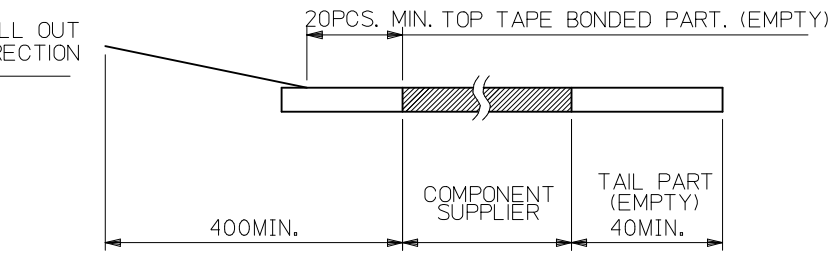


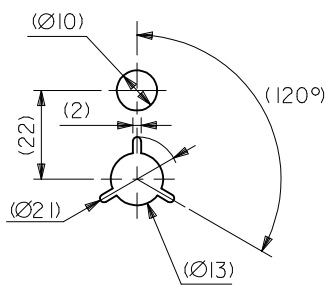
MATED CONDITION

REVISED	EC NO: J2016-1010	DRWN:MIT001	2016/03/30	CHKD:TASAKAWA	2016/03/30	APPR:KMORIKAWA	2016/03/31	GENERAL TOLERANCES (UNLESS SPECIFIED)		DIMENSION STYLE		SCALE	DESIGN UNITS	THIRD ANGLE PROJECTION	
								0.25 UNDER	± 0.03	MM ONLY		20:1	METRIC		
Q	J2016-1010	DRWN:MIT001	2016/03/30	CHKD:TASAKAWA	2016/03/30	APPR:KMORIKAWA	2016/03/31	0.25 OVER	0.5 UNDER	± 0.05	DRAWN BY	DATE	TITLE		
								0.5 OVER	1.0 UNDER	± 0.1	KSASAKI	2014/04/07	0.35 BB CONN. H=0.6		
REV	Q	J2016-1010	DRWN:MIT001	CHKD:TASAKAWA	2016/03/30	APPR:KMORIKAWA	2016/03/31	1.0 OVER	10 UNDER	± 0.2	CHECKED BY	DATE	SSB6 RP		
								10 OVER	30 UNDER	± 0.25	KTANAKA03	2014/04/07	REC. ASSY		
REV	Q	J2016-1010	DRWN:MIT001	CHKD:TASAKAWA	2016/03/30	APPR:KMORIKAWA	2016/03/31	30 OVER		± 0.3	APPROVED BY	DATE	molex		
								ANGULAR	± 1 °		KMORIKAWA	2014/04/08	SD-505066-001		
DRAFT WHERE APPLICABLE MUST REMAIN WITHIN DIMENSIONS								SIZE		THIS DRAWING CONTAINS INFORMATION THAT IS PROPRIETARY TO MOLEX ELECTRONIC TECHNOLOGIES, LLC AND SHOULD NOT BE USED WITHOUT WRITTEN PERMISSION		DOCUMENT NO.		SHEET NO.	
								A3		SEE SHEET1		SD-505066-001		2 OF 2	



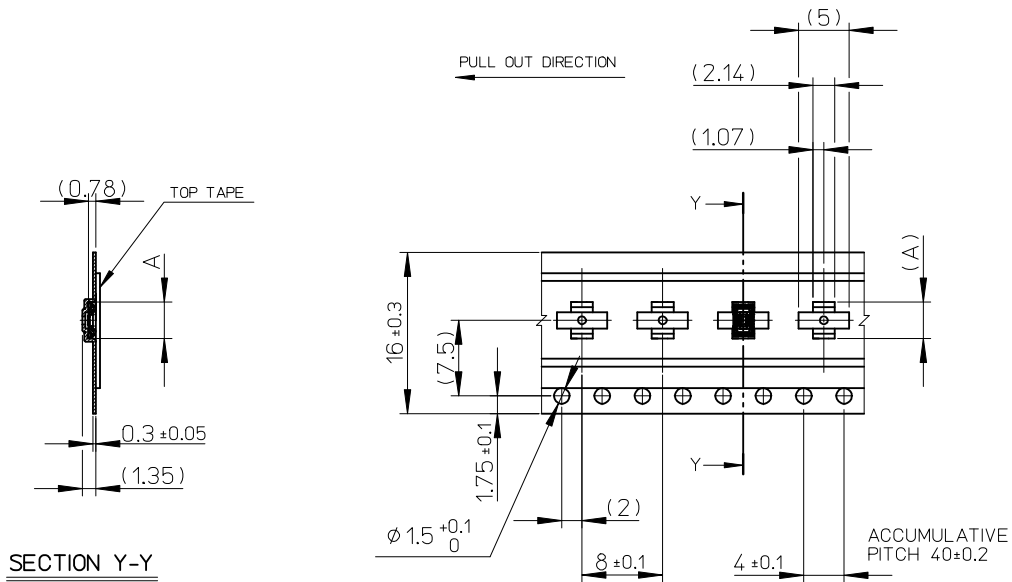
NOTES

1. RE DETAILED DIMENSION, SEE PRODUCT DRAWING.
2. NUMBER OF CONNECTORS : 3000PCS/REEL
3. LEAD TAPE LENGTH

4. TOP TAPE PEEL FORCE IS DEFINED BY IEC60286-3.
5. MATERIAL
 CARRIER TAPE : POLYSTYRENE
 TOP TAPE : PET , OTHER
 REEL : POLYSTYRENE (PS) <RECYCLE MATERIAL CONTAINED>
6. ELV AND RoHS COMPLIANT



DETAIL "D"

REVISED EC NO: J2016-1010 DRWN:MITO01 2016/03/30 CHKD:TASAKAWA 2016/03/30 APPR:KMORIKAWA 2016/03/31	GENERAL TOLERANCES (UNLESS SPECIFIED)		DIMENSION STYLE		MODEL NO.	505066-**10
	0.25 UNDER ±0.03		MM ONLY		DESIGN UNITS	METRIC
	0.25 OVER 0.5 UNDER ±0.05		DRAWN BY DATE		0.35 BB CONN. H=0.6 SSB6 RP REC. ASSY EMBSTP PKG molex	
	0.5 OVER 1.0 UNDER ±0.1		KSASAKI 2014/04/07			
	1.0 OVER 10 UNDER ±0.2		CHECKED BY DATE			
10 OVER 30 UNDER ±0.25		KTANAKA03 2014/04/07		THIRD ANGLE PROJECTION		
30 OVER ±0.3		APPROVED BY DATE		DOCUMENT NO.	SD-505066-002	
ANGULAR ±1 °		KMORIKAWA 2014/04/08		MATERIAL NO.	SEE CHART	
DRAFT WHERE APPLICABLE MUST REMAIN WITHIN DIMENSIONS		SIZE	THIS DRAWING CONTAINS INFORMATION THAT IS PROPRIETARY TO MOLEX ELECTRONIC TECHNOLOGIES, LLC AND SHOULD NOT BE USED WITHOUT WRITTEN PERMISSION			
K	REV			A3	SHEET NO.	1 OF 2



SECTION Y-Y

16	21.4	17.4	4.67	505066-1210	0	---	12	
			3.62	505066-0610	0	---	6	
キャリアテープ幅 CARRIER TAPE WIDTH		C	B	(A)	MATERIAL No.	HIGH VOL. TOOL	LOW VOL. TOOL	CIRCUIT
						SAMPLE PREPARATION		

REVISED EC NO: J2016-1010 DRWN:MITO01 2016/03/30 CHKD:TASAKAWA 2016/03/30 APPR:KMORIKAWA 2016/03/31	GENERAL TOLERANCES (UNLESS SPECIFIED)		DIMENSION STYLE		SCALE	DESIGN UNITS	THIRD ANGLE PROJECTION	
	0.25 UNDER ±0.03		MM ONLY		2:1	METRIC	0.35 BB CONN. H=0.6 SSB6 RP REC. ASSY EMBSTP PKG molex	
	0.25 OVER 0.5 UNDER ±0.05		DRAWN BY DATE		TITLE		DOCUMENT NO.	
	0.5 OVER 1.0 UNDER ±0.1		KSASAKI 2014/04/07		SEE CHART		SD-505066-002	
1.0 OVER 10 UNDER ±0.2		CHECKED BY DATE		THIS DRAWING CONTAINS INFORMATION THAT IS PROPRIETARY TO MOLEX ELECTRONIC TECHNOLOGIES, LLC AND SHOULD NOT BE USED WITHOUT WRITTEN PERMISSION		SHEET NO.		
10 OVER 30 UNDER ±0.25		KTANAKA03 2014/04/07				2 OF 2		
30 OVER ±0.3		APPROVED BY DATE						
ANGULAR ±1 °		KMORIKAWA 2014/04/08						
DRAFT WHERE APPLICABLE MUST REMAIN WITHIN DIMENSIONS		MATERIAL NO.						
		SIZE A3						