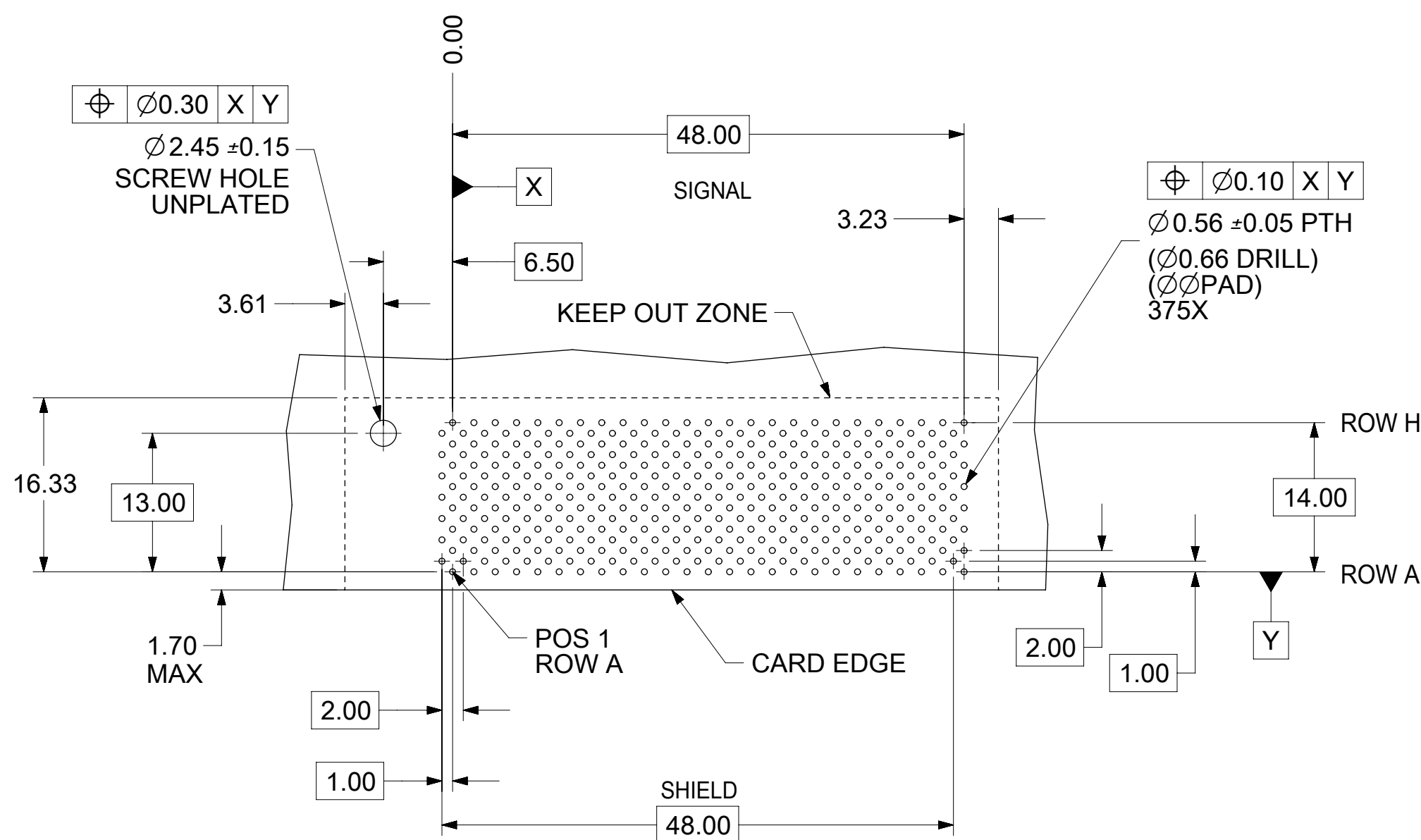


**LEAD-FREE  
PLATING**

ITEM	PART NUMBER	DESCRIPTION	QTY
1	74046-0061	STIFFENER	1
2	74041-1001	SIGNAL WAFER, LF	25
3	74037-0008	POLARIZING/GUIDE MODULE	1
4	74038-1001	END CAP	1
5	73726-0000	GUIDE MODULE MTG SCREW	1



**DAUGHTERCARD BOARD LAYOUT  
CONNECTOR SIDE**

FUNCTIONAL SYMBOLS	THIS DRAWING CONTAINS INFORMATION THAT IS PROPRIETARY TO MOLEX ELECTRONIC TECHNOLOGIES, LLC AND SHOULD NOT BE USED WITHOUT WRITTEN PERMISSION		CURRENT REV DESC: OPEN TO GENERAL MARKET, CUSTOMER NAME REMOVED		<b>molex</b>				
	DIMENSION UNITS	SCALE							
$\nabla_A = 0$	mm	2:1	EC NO: 641993		VHDM 8 ROW DC, LF ASSEMBLY SALES DRAWING				
$\nabla_C = 0$	GENERAL TOLERANCES (UNLESS SPECIFIED)		DRWN: NMUTHARAYAPP 2020/07/09						
$\nabla_P = 0$	ANGULAR TOL $\pm 0.5^\circ$		CHK'D: JGONZALEZ01 2020/07/22		PRODUCT CUSTOMER DRAWING				
DIVISIONAL SYMBOLS	4 PLACES $\pm$		APPR: JGONZALEZ01 2020/07/22						
	3 PLACES $\pm$		INITIAL REVISION:		DOCUMENT NUMBER				
	2 PLACES $\pm 0.25$		DRWN: SVANG01 2015/09/14						RSD-74040-1514
	1 PLACE $\pm 0.38$		APPR: SMILLER 2015/10/16		PSD		001		
	0 PLACES $\pm$		THIRD ANGLE PROJECTION						SERIES
DRAFT WHERE APPLICABLE MUST REMAIN WITHIN DIMENSIONS		DRAWING		C-SIZE		74040		MATERIAL NUMBER	
						74040-1514		CUSTOMER	
						GENERAL MARKET		1 OF 1	

**NOTES:**

1. MATERIALS: HOUSING : LIQUID CRYSTAL POLYMER (LCP) GLASS-FILLED, UL94V-0, BLACK.  
TERMINALS: COPPER ALLOY  
STIFFENER: STAINLESS STEEL
2. FINISH: SELECTIVE GOLD (Au) 0.76 MICROMETERS MINIMUM IN CONTACT AREA, SELECTIVE MATTE TIN (Sn) IN TAIL AREA; NICKEL (Ni) UNDERPLATE OVERALL.
3. REFER TO MOLEX PRODUCT SPECIFICATION PS-74031-999 FOR PERFORMANCE SPECIFICATIONS.
4. PARTS TO BE PACKAGED PER PK-70873-5041.  
SCREWS PACKED IN BAG INSIDE TUBE.
5. THIS PART CONFORMS TO CLASS "B" REQUIREMENTS OF MOLEX COSMETIC SPECIFICATION PS-45499-002.
6. REFER TO MOLEX DOCUMENT SD-74041-002 FOR ADDITIONAL DETAIL ON THE SIGNAL WAFER.
7. REFER TO MOLEX DOCUMENT SD-74037-006 FOR ADDITIONAL DETAIL ON THE GUIDANCE MODULE.
8. REFER TO MOLEX DOCUMENT SD-74038-004 FOR ADDITIONAL DETAIL ON THE END CAP.
9. LABEL MARKED WITH MOLEX PART NUMBER AND DATE CODE.  
LABEL MAY BE REPLACED WITH LASER MARKING ON THE STIFFENER.