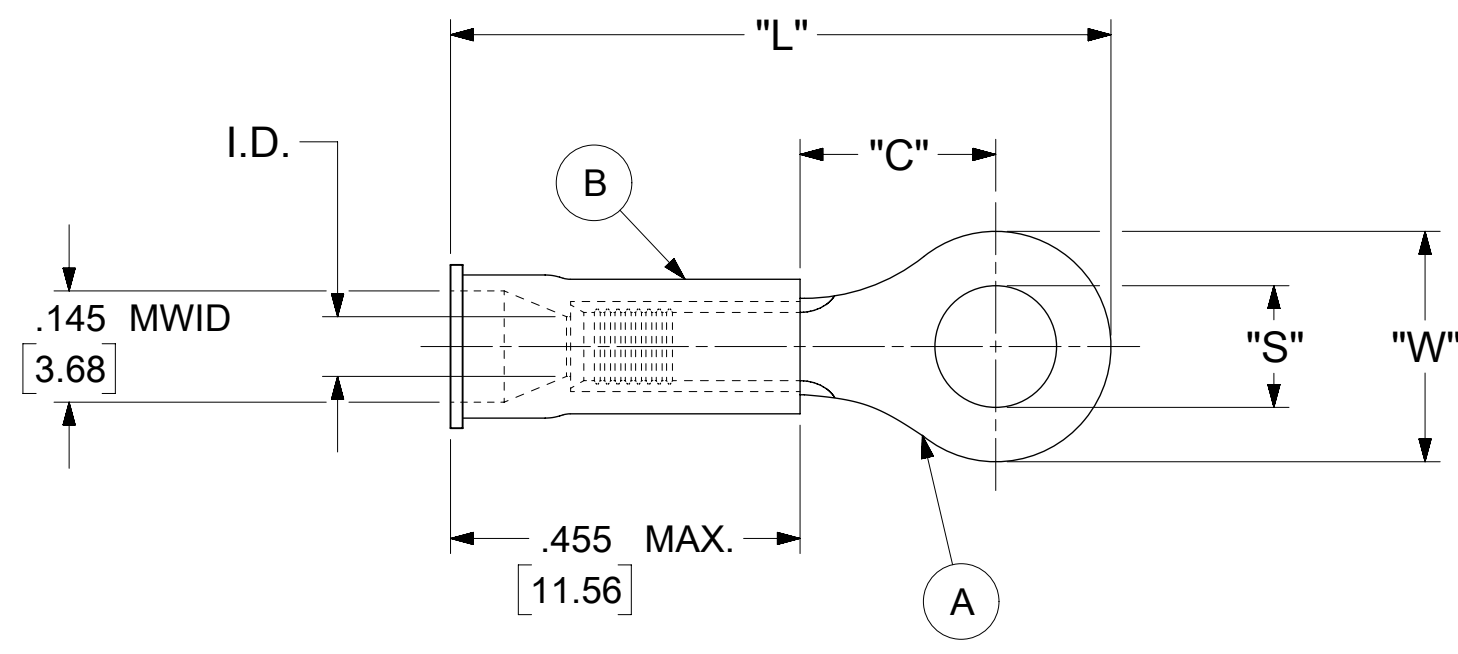


LOOSE PIECE		SPECIFICATIONS						
MATERIAL NUMBER	ENGINEERING NUMBER	STUD SIZE	"S" ±.005 [0.13]	"W" ±.010 [0.25]	"C" MIN.	"L" MAX.	"I.D." MIN.	STOCK ±.001 [0.025] THICKNESS
190540058	A-233-08X	8	.173 [4.39]	.273 [6.93]	.240 [6.10]	.866 [22.00]	.062 [1.57]	.028 [.71]
190540059	A-233-10X	10	.198 [5.03]					



- NOTES:
- MATERIAL:
 - (A). RING TONGUE TERMINAL: COPPER
PLATING: ELECTRO-TIN (.0003 MIN.)
 - (B). INSULATION: MOLDED PVC (RED)
 - MWID: MAXIMUM WIRE INSULATION DIAMETER
.25 -1.5MM²
 - WIRE SIZE: 22 -18 AWG
.25 -1.5MM²
 - ALL DIMENSIONS IN INCHES/[MM].
 - PARTS ARE ROHS COMPLIANT.
 - DIMS. SHOWN ARE FOR REFERENCE ONLY.

SYMBOLS	THIS DRAWING CONTAINS INFORMATION THAT IS PROPRIETARY TO MOLEX ELECTRONIC TECHNOLOGIES, LLC AND SHOULD NOT BE USED WITHOUT WRITTEN PERMISSION									
	DIMENSION UNITS		SCALE		CURRENT REV DESC: MIGRATION TO ECTR/NX					
	INCH/MM		NTS		EC NO: 622916 DRWN: ABENJAMINLW 2019/08/23 CHK'D: GROJAS01 2019/08/28 APPR: JMACNEIL 2019/09/05 INITIAL REVISION: DRWN: KO 1984/10/23 APPR: JMACNEIL 2019/07/01					
	GENERAL TOLERANCES (UNLESS SPECIFIED)									
▽ = 0	4 PLACES	±	---	±	---	PRODUCT CUSTOMER DRAWING DOCUMENT NUMBER: 190540056 DOC TYPE: PSD DOC PART: 000 REVISION: A1 MATERIAL NUMBER: SEE TABLE CUSTOMER: GENERAL MARKET SHEET NUMBER: 1 OF 1				
▽ = 0	3 PLACES	±	---	±	0.005					
▽ = 0	2 PLACES	±	0.13	±	0.01					
▽ = 0	1 PLACE	±	0.25	±	---					
☒ = 0	0 PLACES	±	---	±	---	DRAFT WHERE APPLICABLE MUST REMAIN WITHIN DIMENSIONS THIRD ANGLE PROJECTION DRAWING SERIES: C-SIZE 19054				
■ = 0	ANGULAR TOL		± 0.5 °							
▽ = 0	DRAFT WHERE APPLICABLE MUST REMAIN WITHIN DIMENSIONS		THIRD ANGLE PROJECTION		DRAWING SERIES: C-SIZE 19054					



RING TONGUE TERMINAL
INSULKRIMP 200-SERIES

190540056 PSD 000 A1