

Material: Aluminium with Cr3 passivation

For models with connectors SMA, QMA, SMA 2.9

Model	∅A (mm)	Type	Options	Number of positions	RADIALL part number
R573 series	27	All *	All *	3 to 6	R599308000
R574 series	44.7	All	All	3 to 6	R599309000

(* Excepted type 0 or 1 with option 0 - 1 - 3 or 4 and type 2 or 3 with option 0 or 1

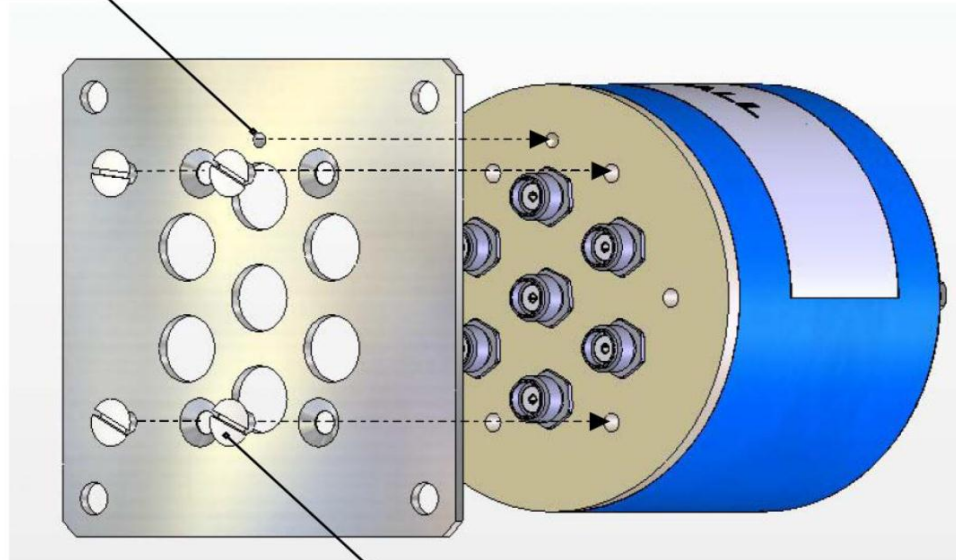
MOUNTING PROCESS

1) Assemble the Square flange on the RF body of the switch as the following drawing below.

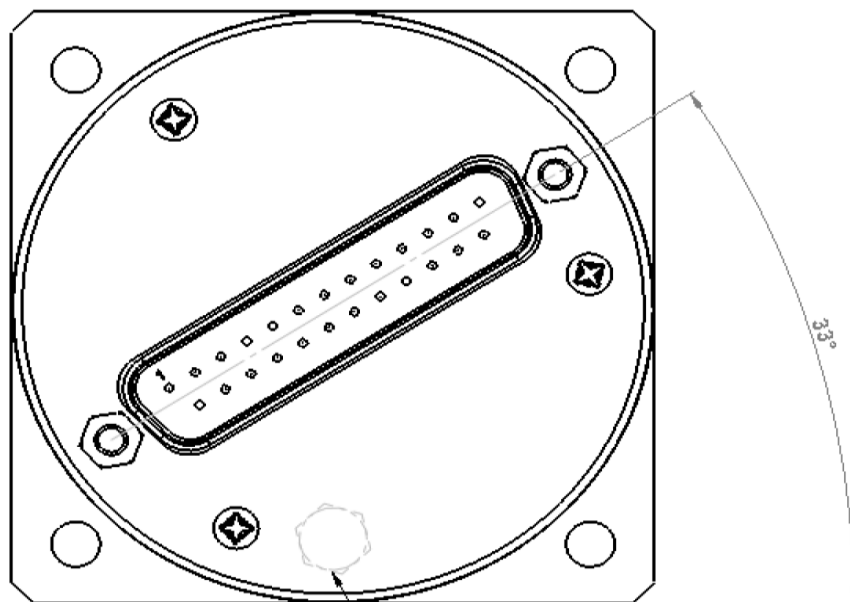
CAUTION: don't forget to position correctly the reference mark of port 1

2) Screw the four screws (delivered with the square flange)

reference mark of port 1



4 screws dia M3 / lenght 3mm



RF Port 1