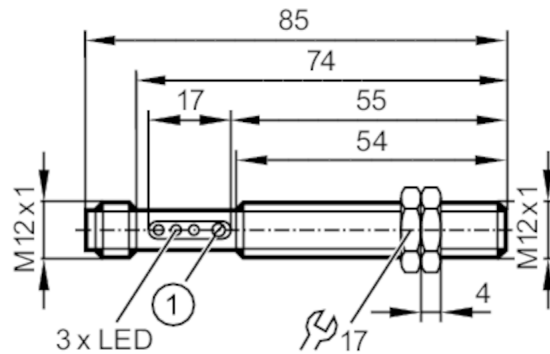


OF5025



Retro-reflective sensor

OFP-FPKG/US-100



1 potentiometer



Product characteristics

Type of light	red light
Housing	threaded type
Dimensions [mm]	M12 x 1 / L = 74

Application

Special feature	polarisation filter; Function check output
Function principle	Retro-reflective sensor

Electrical data

Operating voltage [V]	10...36 DC
Current consumption [mA]	< 35
Protection class	II
Reverse polarity protection	yes
Type of light	red light
Wave length [nm]	660

Outputs

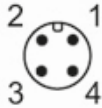
Electrical design	PNP
Output function	light-on/dark-on mode; (programmable)
Max. voltage drop switching output DC [V]	2.5
Function check output	yes
Max. voltage drop of function check output [V]	3.5
Max. current load for function check output [mA]	10
Permanent current rating of switching output DC [mA]	200
Switching frequency DC [Hz]	320
Short-circuit protection	yes
Type of short-circuit protection	pulsed
Overload protection	yes

OF5025



Retro-reflective sensor

OFP-FPKG/US-100

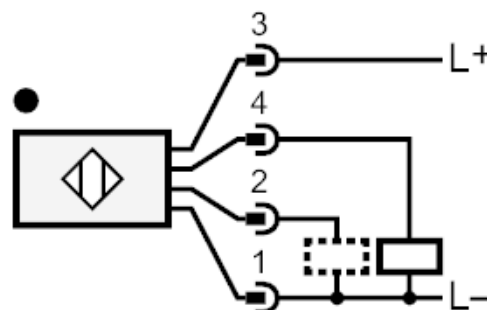
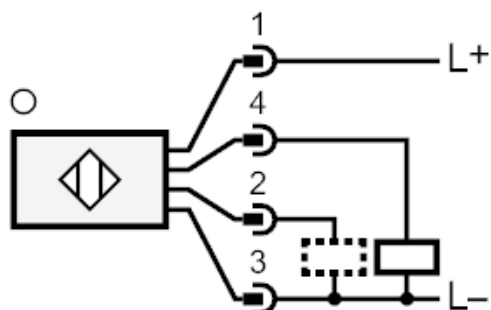
Detection zone		
Range referred to prismatic reflector [m]	0.2...0.8; (Prismatic reflector Ø 80 E20005)	
Range adjustable	yes	
Max. light spot diameter [mm]	70	
Light spot dimensions refer to	at maximum range	
Polarisation filter available	yes	
Operating conditions		
Ambient temperature [°C]	-25...60	
Protection	IP 65	
Tests / approvals		
EMC	EN 60947-5-2	class B
	EN 55011	
MTTF [years]	615	
Mechanical data		
Weight [g]	40.3	
Housing	threaded type	
Dimensions [mm]	M12 x 1 / L = 74	
Thread designation	M12 x 1	
Materials	brass white bronze coated	
Lens material	PMMA	
Displays / operating elements		
Display	switching status	1 x LED, yellow
	operation	1 x LED, green
	function	1 x LED, red
Accessories		
Items supplied	lock nuts: 2 x screwdrivers	
Remarks		
Pack quantity	1 pcs.	
Electrical connection		
Connector: 1 x M12		
		



Retro-reflective sensor

OFP-FPKG/US-100

Connection



2 Function check output

Diagrams and graphs

excess gain graph

