

ITEM NO.	QTY	PART NUMBER	DESCRIPTION	VENDOR
1	1	See Table 1	StarBoard MCPCB, .783in ID, SST-10/Oslon	Opulent Americas
2	1	See Table 1	SST-10 LED	Luminous

**RoHS**

Rev.	Description	Initiator	Date
01P	Initial Design	B. Krahe	10/9/2017
02P	Update Table 1 (add PCB Part Number column)	B. Krahe	11/30/2017

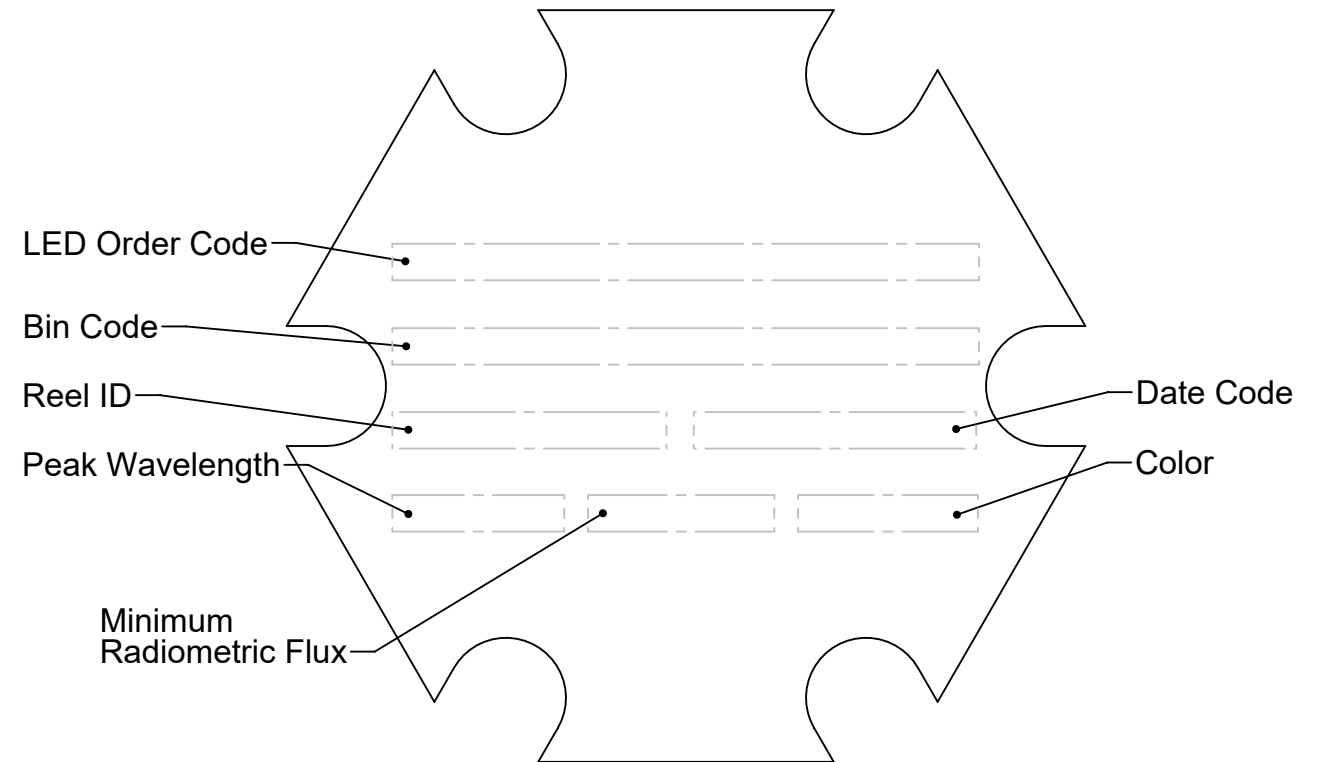
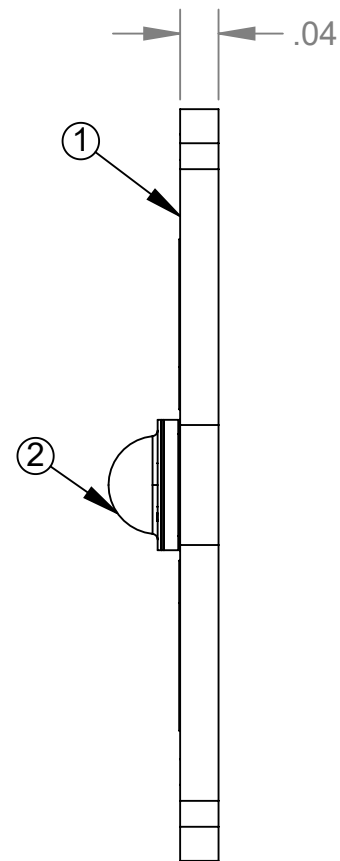
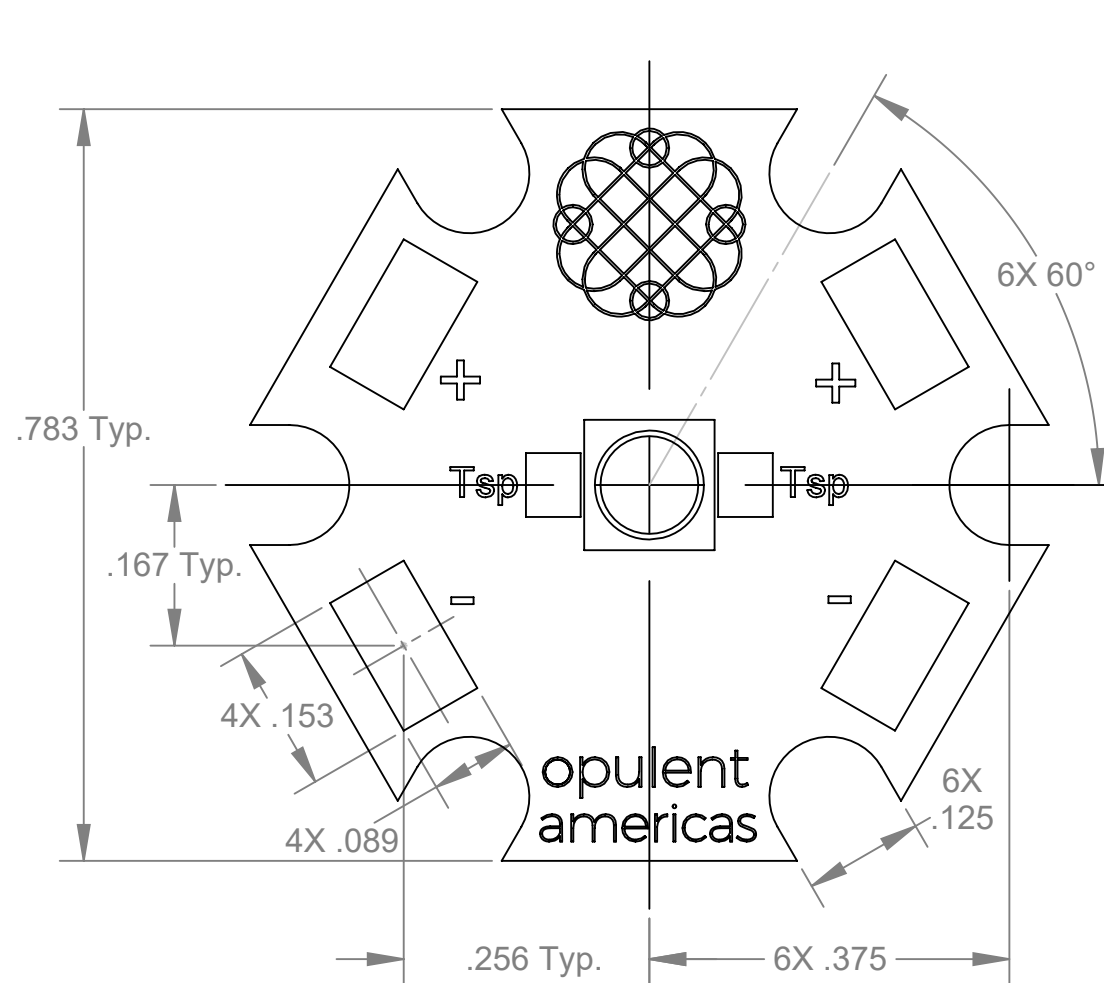


Table 1

Part Number	LED Order Code	PCB Part Number	Date Code	Color	Minimum Radiometric Flux (mW)	Peak Wavelength	Reel ID & Bin Code
LST1-01G01-UV01-00	SST-10-UV-A130-E365-00	1015-1017-B	MFG Date	UV	720	365nm	See Reel
LST1-01G01-UV02-00	SST-10-UV-A130-G385-00	1015-1017-B	MFG Date	UV	900	385nm	See Reel
LST1-01G01-UV03-00	SST-10-UV-A130-G395-00	1015-1017-B	MFG Date	UV	900	395nm	See Reel
LST1-01G01-UV04-00	SST-10-UV-A130-F405-00	1015-1017-B	MFG Date	UV	810	405nm	See Reel
LST1-01G01-RYL1-00	SST-10-B-B130-N450	1015-1017-A	MFG Date	Blue	510	450nm	See Reel
LST1-01G01-GRN1-00	SST-10-G-B130-E530	1015-1017-A	MFG Date	Green	190	527nm	See Reel
LST1-01G01-PRD1-00	SST-10-DR-B130-J660	1015-1017-A	MFG Date	Deep Red	350	660nm	See Reel
LST1-01G01-FRD1-00	SST-10-FR-B130-G730	1015-1017-A	MFG Date	Far Red	270	730nm	See Reel

Notes:

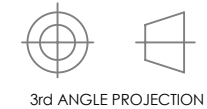
1. Back side of each part to be marked with the information in Table 1.
2. Finished assembly to be RoHS compliant, certificate of conformance to be available upon request

**CONFIDENTIAL**  
Property of Opulent Americas

NOTES: UNLESS OTHERWISE SPECIFIED

DO NOT SCALE DRAWING.  
BREAK ALL SHARP EDGES .015 MAX.  
ALL DIMENSIONS ARE IN INCHES.  
ALL DIMENSIONS ARE FOR FINISHED PART.  
SURFACE FINISH TO BE A MAX OF 63 Ra.

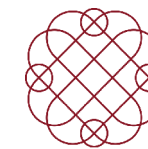
.XXXX DECIMALS ±.001  
.XXX DECIMALS ±.005  
.XX DECIMALS ±.010  
.X DECIMALS ±.025  
ANGLES ±1/2°



DRAWN BY: B. Krahe 10/09/17

CHECKED BY: J. Walser 10/10/17

PROJECT # EN50826-2 SHEET 1 OF 1



**opulent**  
americas

807 Spring Forest  
Road, Suite 900  
Raleigh, NC 27609

Tel: 1-919-407-8322  
info@opulent-americas.com  
www.Opulent-Americas.com

PROPERTY OF OPULENT NORTH AMERICA. NOT TO BE REPRODUCED IN ANY MANNER EXCEPT ON ORDER OR WITH PRIOR WRITTEN AUTHORIZATION.

TITLE **Assm, StarBoard MCPCB, .783in ID, SST-10**

SCALE	SIZE	DRAWING NUMBER	REVISION
5:1	B	LST1-01G01-x	02P